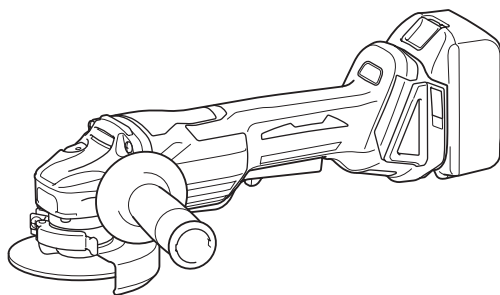
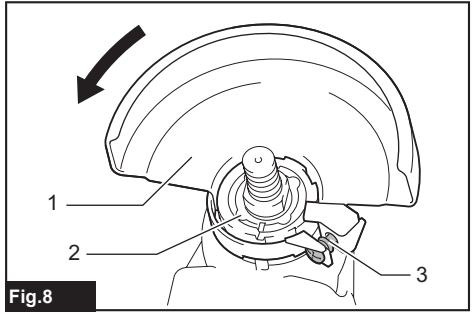
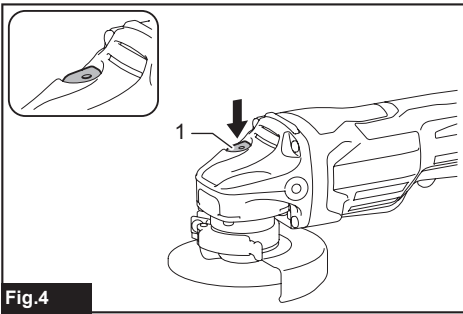
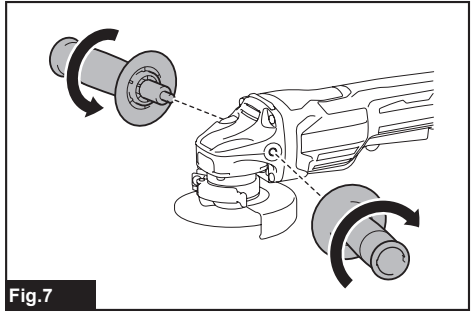
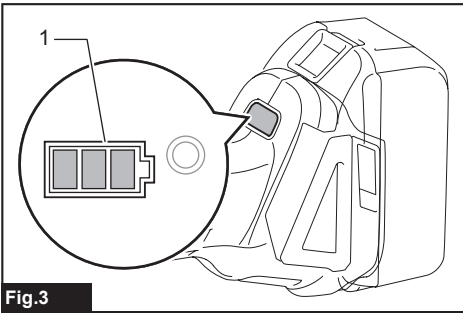
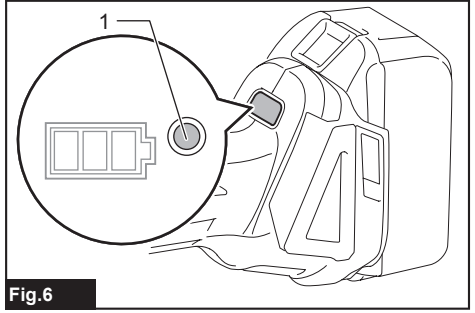
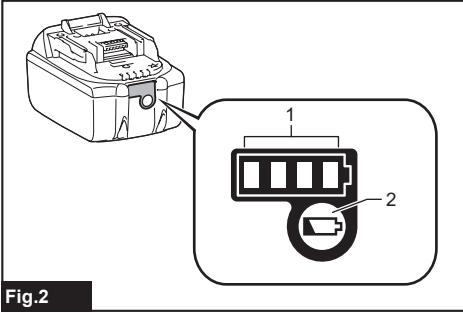
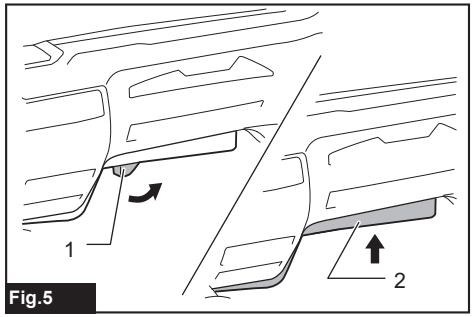
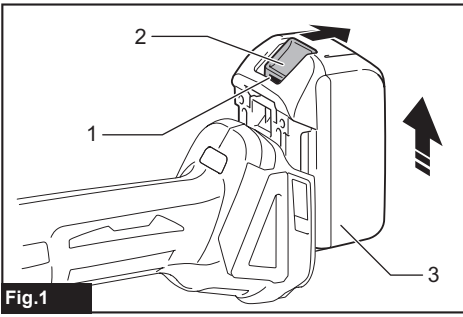


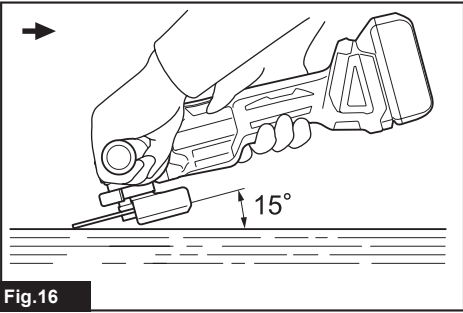
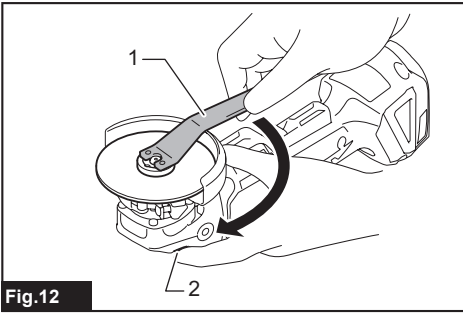
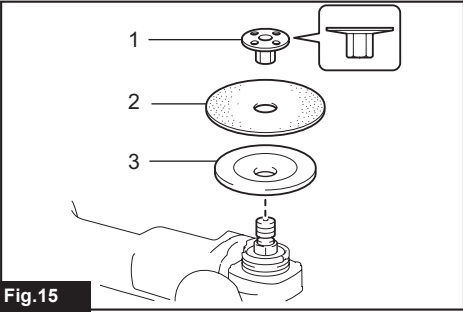
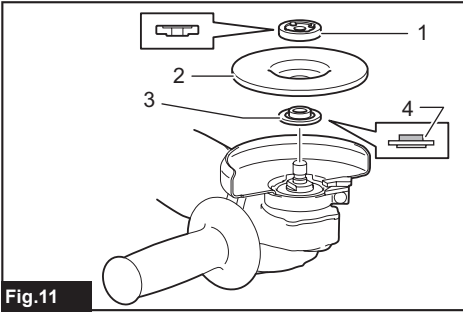
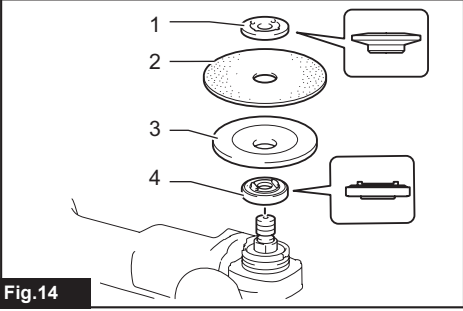
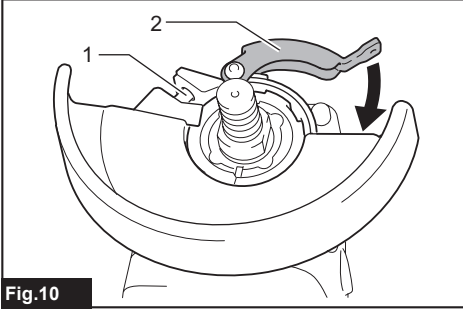
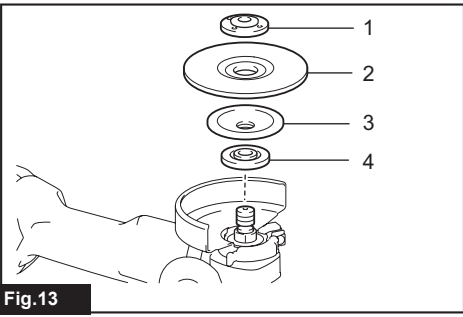
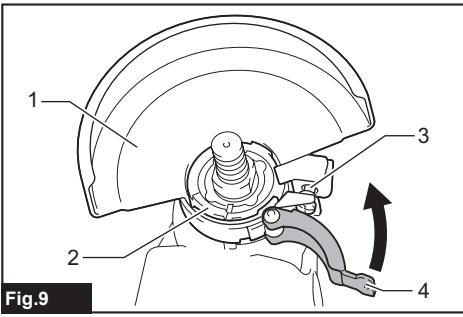


<b>EN</b>	Cordless Angle Grinder	<b>INSTRUCTION MANUAL</b>	<b>6</b>
<b>SV</b>	Batteridrivnen vinkelslipmaskin	<b>BRUKSANVISNING</b>	<b>16</b>
<b>NO</b>	Batteridrevet vinkelsliper	<b>BRUKSANVISNING</b>	<b>26</b>
<b>FI</b>	Akkukäyttöinen kulmahiomakone	<b>KÄYTTÖOHJE</b>	<b>36</b>
<b>LV</b>	Bezvada leņķa slīpmašīna	<b>LIETOŠANAS INSTRUKCIJA</b>	<b>46</b>
<b>LT</b>	Belaidis kampinis šlifuoכלis	<b>NAUDOJIMO INSTRUKCIJA</b>	<b>56</b>
<b>ET</b>	Juhtmeta nurklihvija	<b>KASUTUSJUHEND</b>	<b>66</b>
<b>RU</b>	Акумуляторная угловая шлифмашина	<b>РУКОВОДСТВО ПО ЭКСПЛУАТАЦИИ</b>	<b>76</b>

**DGA408**  
**DGA458**  
**DGA508**







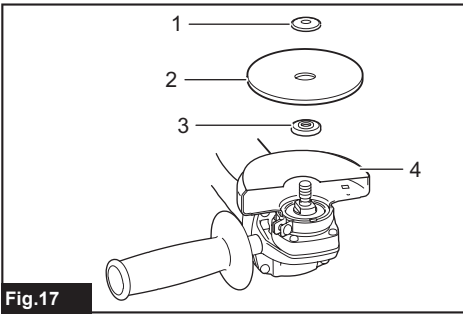


Fig.17

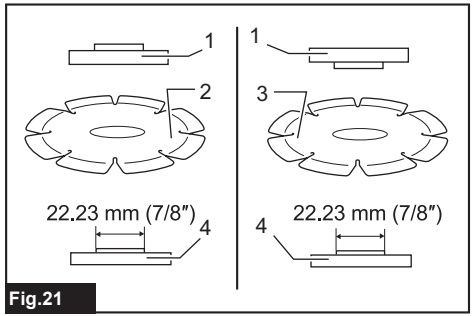


Fig.21

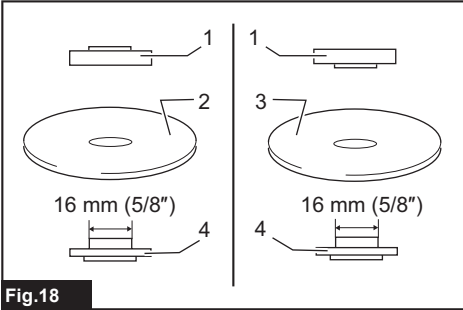


Fig.18

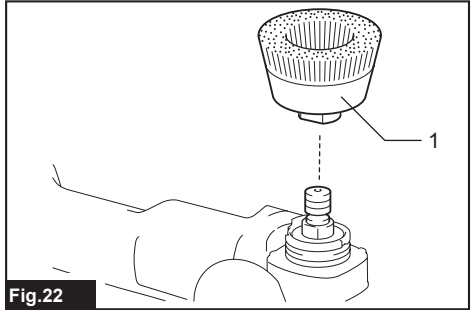


Fig.22

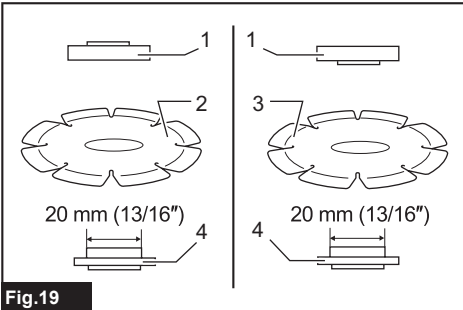


Fig.19

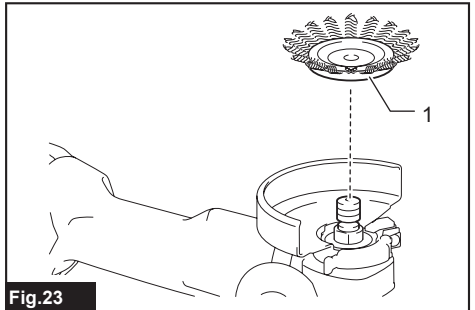


Fig.23

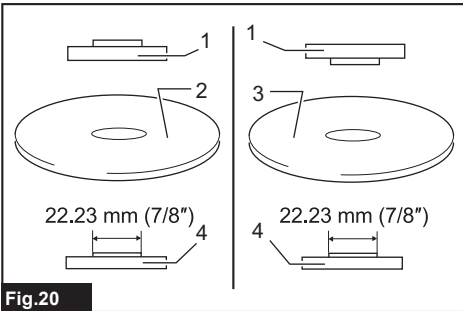


Fig.20

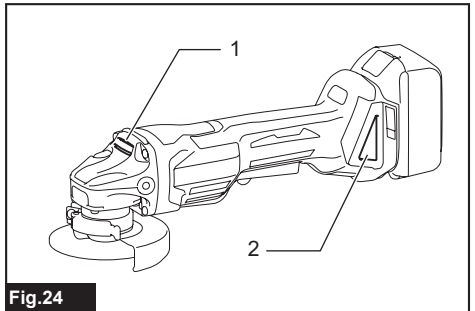


Fig.24

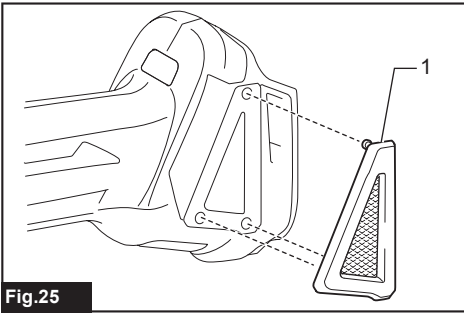


Fig.25

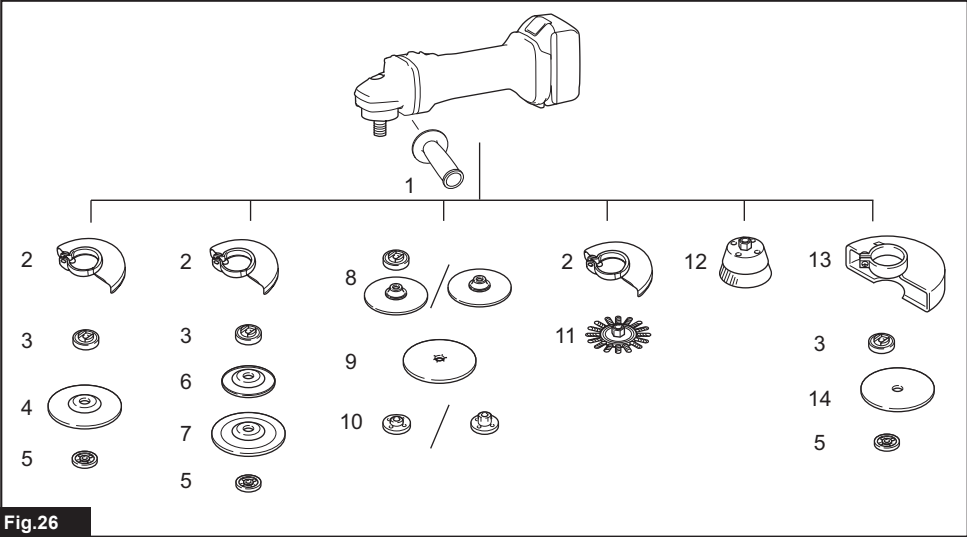


Fig.26

# SPECIFICATIONS

Model:		DGA408	DGA458	DGA508
Wheel diameter		100mm (4")	115mm (4-1/2")	125mm (5")
Max. wheel thickness		6.4mm		
Spindle thread		M10	M14 or 5/8" (country specific)	
Rated speed (n)		8,500min <sup>-1</sup>		
Overall length	With battery cartridge BL1815N, BL1820, BL1820B	348mm		
	With battery cartridge BL1830, BL1830B, BL1840, BL1840B, BL1850, BL1850B, BL1860B	362mm		
Net weight	With battery cartridge BL1815N, BL1820, BL1820B	2.2kg	2.4kg	
	With battery cartridge BL1830, BL1830B, BL1840, BL1840B, BL1850, BL1850B, BL1860B	2.5kg	2.6kg	
Rated voltage		D.C.18 V		

- Due to our continuing program of research and development, the specifications herein are subject to change without notice.
- Specifications and battery cartridge may differ from country to country.
- Weight, with battery cartridge, according to EPTA-Procedure 01/2003

## Intended use

The tool is intended for grinding, sanding and cutting of metal and stone materials without the use of water.

## Noise

The typical A-weighted noise level determined according to EN60745:

### Model DGA458

Sound pressure level ( $L_{pA}$ ) : 80 dB(A)

Uncertainty (K) : 3 dB(A)

### Model DGA508

Sound pressure level ( $L_{pA}$ ) : 79 dB(A)

Uncertainty (K) : 3dB(A)

The noise level under working may exceed 80 dB (A).

**⚠ WARNING: Wear ear protection.**

## Vibration

The vibration total value (tri-axial vector sum) determined according to EN60745:

### Model DGA458

Work mode: surface grinding with normal side grip

Vibration emission ( $a_{h,AG}$ ) : 5.5 m/s<sup>2</sup>

Uncertainty (K) : 1.5 m/s<sup>2</sup>

Work mode: surface grinding with anti vibration side grip

Vibration emission ( $a_{h,AG}$ ) : 5.0 m/s<sup>2</sup>

Uncertainty (K) : 1.5 m/s<sup>2</sup>

Work mode: disc sanding with normal side grip

Vibration emission ( $a_{h,DS}$ ) : 2.5 m/s<sup>2</sup> or less

Uncertainty (K) : 1.5 m/s<sup>2</sup>

Work mode: disc sanding with anti vibration side grip

Vibration emission ( $a_{h,DS}$ ) : 2.5 m/s<sup>2</sup> or less

Uncertainty (K) : 1.5 m/s<sup>2</sup>

### Model DGA508

Work mode: surface grinding with normal side grip

Vibration emission ( $a_{h,AG}$ ) : 6.0 m/s<sup>2</sup>

Uncertainty (K) : 1.5 m/s<sup>2</sup>

Work mode: surface grinding with anti vibration side grip

Vibration emission ( $a_{h,AG}$ ) : 5.5 m/s<sup>2</sup>

Uncertainty (K) : 1.5 m/s<sup>2</sup>

Work mode: disc sanding with normal side grip

Vibration emission ( $a_{h,DS}$ ) : 2.5 m/s<sup>2</sup> or less

Uncertainty (K) : 1.5 m/s<sup>2</sup>

Work mode: disc sanding with anti vibration side grip

Vibration emission ( $a_{h,DS}$ ) : 2.5 m/s<sup>2</sup> or less

Uncertainty (K) : 1.5 m/s<sup>2</sup>

**NOTE:** The declared vibration emission value has been measured in accordance with the standard test method and may be used for comparing one tool with another.

**NOTE:** The declared vibration emission value may also be used in a preliminary assessment of exposure.

**⚠ WARNING:** The vibration emission during actual use of the power tool can differ from the declared emission value depending on the ways in which the tool is used.

**⚠ WARNING:** Be sure to identify safety measures to protect the operator that are based on an estimation of exposure in the actual conditions of use (taking account of all parts of the operating cycle such as the times when the tool is switched off and when it is running idle in addition to the trigger time).

**⚠ WARNING:** The declared vibration emission value is used for main applications of the power tool. However if the power tool is used for other applications, the vibration emission value may be different.

## EC Declaration of Conformity

### For European countries only

Makita declares that the following Machine(s):  
Designation of Machine: Cordless Angle Grinder  
Model No./ Type: DGA458, DGA508  
Conforms to the following European Directives:  
2006/42/EC

They are manufactured in accordance with the following standard or standardized documents: EN60745  
The technical file in accordance with 2006/42/EC is available from:

Makita, Jan-Baptist Vinkstraat 2, 3070, Belgium  
11.8.2015



Yasushi Fukaya  
Director  
Makita, Jan-Baptist Vinkstraat 2, 3070, Belgium

## General power tool safety warnings

**⚠ WARNING:** Read all safety warnings and all instructions. Failure to follow the warnings and instructions may result in electric shock, fire and/or serious injury.

## Save all warnings and instructions for future reference.

The term "power tool" in the warnings refers to your mains-operated (corded) power tool or battery-operated (cordless) power tool.

## Cordless grinder safety warnings

### Safety Warnings Common for Grinding, Sanding, Wire Brushing, or Abrasive Cutting-Off Operations:

1. **This power tool is intended to function as a grinder, sander, wire brush or cut-off tool. Read all safety warnings, instructions, illustrations and specifications provided with this power tool.** Failure to follow all instructions listed below may result in electric shock, fire and/or serious injury.
2. **Operations such as polishing are not recommended to be performed with this power tool.** Operations for which the power tool was not designed may create a hazard and cause personal injury.

3. **Do not use accessories which are not specifically designed and recommended by the tool manufacturer.** Just because the accessory can be attached to your power tool, it does not assure safe operation.
4. **The rated speed of the accessory must be at least equal to the maximum speed marked on the power tool.** Accessories running faster than their rated speed can break and fly apart.
5. **The outside diameter and the thickness of your accessory must be within the capacity rating of your power tool.** Incorrectly sized accessories cannot be adequately guarded or controlled.
6. **Threaded mounting of accessories must match the grinder spindle thread. For accessories mounted by flanges, the arbour hole of the accessory must fit the locating diameter of the flange.** Accessories that do not match the mounting hardware of the power tool will run out of balance, vibrate excessively and may cause loss of control.
7. **Do not use a damaged accessory. Before each use inspect the accessory such as abrasive wheels for chips and cracks, backing pad for cracks, tear or excess wear, wire brush for loose or cracked wires. If power tool or accessory is dropped, inspect for damage or install an undamaged accessory. After inspecting and installing an accessory, position yourself and bystanders away from the plane of the rotating accessory and run the power tool at maximum no-load speed for one minute.** Damaged accessories will normally break apart during this test time.
8. **Wear personal protective equipment. Depending on application, use face shield, safety goggles or safety glasses. As appropriate, wear dust mask, hearing protectors, gloves and workshop apron capable of stopping small abrasive or workpiece fragments.** The eye protection must be capable of stopping flying debris generated by various operations. The dust mask or respirator must be capable of filtering particles generated by your operation. Prolonged exposure to high intensity noise may cause hearing loss.
9. **Keep bystanders a safe distance away from work area. Anyone entering the work area must wear personal protective equipment.** Fragments of workpiece or of a broken accessory may fly away and cause injury beyond immediate area of operation.
10. **Hold the power tool by insulated gripping surfaces only, when performing an operation where the cutting tool may contact hidden wiring.** Contact with a "live" wire will also make exposed metal parts of the power tool "live" and could give the operator an electric shock.
11. **Never lay the power tool down until the accessory has come to a complete stop.** The spinning accessory may grab the surface and pull the power tool out of your control.
12. **Do not run the power tool while carrying it at your side.** Accidental contact with the spinning accessory could snag your clothing, pulling the accessory into your body.

13. **Regularly clean the power tool's air vents.** The motor's fan will draw the dust inside the housing and excessive accumulation of powdered metal may cause electrical hazards.
14. **Do not operate the power tool near flammable materials.** Sparks could ignite these materials.
15. **Do not use accessories that require liquid coolants.** Using water or other liquid coolants may result in electrocution or shock.

#### **Kickback and Related Warnings**

Kickback is a sudden reaction to a pinched or snagged rotating wheel, backing pad, brush or any other accessory. Pinching or snagging causes rapid stalling of the rotating accessory which in turn causes the uncontrolled power tool to be forced in the direction opposite of the accessory's rotation at the point of the binding. For example, if an abrasive wheel is snagged or pinched by the workpiece, the edge of the wheel that is entering into the pinch point can dig into the surface of the material causing the wheel to climb out or kick out. The wheel may either jump toward or away from the operator, depending on direction of the wheel's movement at the point of pinching. Abrasive wheels may also break under these conditions. Kickback is the result of power tool misuse and/or incorrect operating procedures or conditions and can be avoided by taking proper precautions as given below.

1. **Maintain a firm grip on the power tool and position your body and arm to allow you to resist kickback forces. Always use auxiliary handle, if provided, for maximum control over kickback or torque reaction during start-up.** The operator can control torque reactions or kickback forces, if proper precautions are taken.
2. **Never place your hand near the rotating accessory.** Accessory may kickback over your hand.
3. **Do not position your body in the area where power tool will move if kickback occurs.** Kickback will propel the tool in direction opposite to the wheel's movement at the point of snagging.
4. **Use special care when working corners, sharp edges etc. Avoid bouncing and snagging the accessory.** Corners, sharp edges or bouncing have a tendency to snag the rotating accessory and cause loss of control or kickback.
5. **Do not attach a saw chain woodcarving blade or toothed saw blade.** Such blades create frequent kickback and loss of control.

#### **Safety Warnings Specific for Grinding and Abrasive Cutting-Off Operations:**

1. **Use only wheel types that are recommended for your power tool and the specific guard designed for the selected wheel.** Wheels for which the power tool was not designed cannot be adequately guarded and are unsafe.
2. **The grinding surface of centre depressed wheels must be mounted below the plane of the guard lip.** An improperly mounted wheel that projects through the plane of the guard lip cannot be adequately protected.
3. **The guard must be securely attached to the power tool and positioned for maximum safety, so the least amount of wheel is exposed towards the operator.** The guard helps to protect the operator from broken wheel fragments, accidental contact with wheel and sparks that could ignite clothing.

4. **Wheels must be used only for recommended applications. For example: do not grind with the side of cut-off wheel.** Abrasive cut-off wheels are intended for peripheral grinding, side forces applied to these wheels may cause them to shatter.
5. **Always use undamaged wheel flanges that are of correct size and shape for your selected wheel.** Proper wheel flanges support the wheel thus reducing the possibility of wheel breakage. Flanges for cut-off wheels may be different from grinding wheel flanges.
6. **Do not use worn down wheels from larger power tools.** Wheel intended for larger power tool is not suitable for the higher speed of a smaller tool and may burst.

#### **Additional Safety Warnings Specific for Abrasive Cutting-Off Operations:**

1. **Do not "jam" the cut-off wheel or apply excessive pressure. Do not attempt to make an excessive depth of cut.** Overstressing the wheel increases the loading and susceptibility to twisting or binding of the wheel in the cut and the possibility of kickback or wheel breakage.
2. **Do not position your body in line with and behind the rotating wheel.** When the wheel, at the point of operation, is moving away from your body, the possible kickback may propel the spinning wheel and the power tool directly at you.
3. **When wheel is binding or when interrupting a cut for any reason, switch off the power tool and hold the power tool motionless until the wheel comes to a complete stop. Never attempt to remove the cut-off wheel from the cut while the wheel is in motion otherwise kickback may occur.** Investigate and take corrective action to eliminate the cause of wheel binding.
4. **Do not restart the cutting operation in the workpiece. Let the wheel reach full speed and carefully re-enter the cut.** The wheel may bind, walk up or kickback if the power tool is restarted in the workpiece.
5. **Support panels or any oversized workpiece to minimize the risk of wheel pinching and kickback.** Large workpieces tend to sag under their own weight. Supports must be placed under the workpiece near the line of cut and near the edge of the workpiece on both sides of the wheel.
6. **Use extra caution when making a "pocket cut" into existing walls or other blind areas.** The protruding wheel may cut gas or water pipes, electrical wiring or objects that can cause kickback.

#### **Safety Warnings Specific for Sanding Operations:**

1. **Do not use excessively oversized sanding disc paper. Follow manufacturers recommendations, when selecting sanding paper.** Larger sanding paper extending beyond the sanding pad presents a laceration hazard and may cause snagging, tearing of the disc or kickback.

#### **Safety Warnings Specific for Wire Brushing Operations:**

1. **Be aware that wire bristles are thrown by the brush even during ordinary operation. Do not overstress the wires by applying excessive load to the brush.** The wire bristles can easily penetrate light clothing and/or skin.



2. If the use of a guard is recommended for wire brushing, do not allow any interference of the wire wheel or brush with the guard. Wire wheel or brush may expand in diameter due to work load and centrifugal forces.

#### Additional Safety Warnings:

1. When using depressed centre grinding wheels, be sure to use only fiberglass-reinforced wheels.
2. NEVER USE Stone Cup type wheels with this grinder. This grinder is not designed for these types of wheels and the use of such a product may result in serious personal injury.
3. Be careful not to damage the spindle, the flange (especially the installing surface) or the lock nut. Damage to these parts could result in wheel breakage.
4. Make sure the wheel is not contacting the workpiece before the switch is turned on.
5. Before using the tool on an actual workpiece, let it run for a while. Watch for vibration or wobbling that could indicate poor installation or a poorly balanced wheel.
6. Use the specified surface of the wheel to perform the grinding.
7. Do not leave the tool running. Operate the tool only when hand-held.
8. Do not touch the workpiece immediately after operation; it may be extremely hot and could burn your skin.
9. Observe the instructions of the manufacturer for correct mounting and use of wheels. Handle and store wheels with care.
10. Do not use separate reducing bushings or adaptors to adapt large hole abrasive wheels.
11. Use only flanges specified for this tool.
12. For tools intended to be fitted with threaded hole wheel, ensure that the thread in the wheel is long enough to accept the spindle length.
13. Check that the workpiece is properly supported.
14. Pay attention that the wheel continues to rotate after the tool is switched off.
15. If working place is extremely hot and humid, or badly polluted by conductive dust, use a short-circuit breaker (30 mA) to assure operator safety.
16. Do not use the tool on any materials containing asbestos.
17. When use cut-off wheel, always work with the dust collecting wheel guard required by domestic regulation.
18. Cutting discs must not be subjected to any lateral pressure.
19. Do not use cloth work gloves during operation. Fibers from cloth gloves may enter the tool, which causes tool breakage.

**SAVE THESE INSTRUCTIONS.**

**⚠WARNING: DO NOT** let comfort or familiarity with product (gained from repeated use) replace strict adherence to safety rules for the subject product. **MISUSE** or failure to follow the safety rules stated in this instruction manual may cause serious personal injury.

### Important safety instructions for battery cartridge

1. Before using battery cartridge, read all instructions and cautionary markings on (1) battery charger, (2) battery, and (3) product using battery.
2. Do not disassemble battery cartridge.
3. If operating time has become excessively shorter, stop operating immediately. It may result in a risk of overheating, possible burns and even an explosion.
4. If electrolyte gets into your eyes, rinse them out with clear water and seek medical attention right away. It may result in loss of your eyesight.
5. Do not short the battery cartridge:
  - (1) Do not touch the terminals with any conductive material.
  - (2) Avoid storing battery cartridge in a container with other metal objects such as nails, coins, etc.
  - (3) Do not expose battery cartridge to water or rain.

A battery short can cause a large current flow, overheating, possible burns and even a breakdown.
6. Do not store the tool and battery cartridge in locations where the temperature may reach or exceed 50 °C (122 °F).
7. Do not incinerate the battery cartridge even if it is severely damaged or is completely worn out. The battery cartridge can explode in a fire.
8. Be careful not to drop or strike battery.
9. Do not use a damaged battery.
10. The contained lithium-ion batteries are subject to the Dangerous Goods Legislation requirements.
 

For commercial transports e.g. by third parties, forwarding agents, special requirement on packaging and labeling must be observed. For preparation of the item being shipped, consulting an expert for hazardous material is required. Please also observe possibly more detailed national regulations.

Tape or mask off open contacts and pack up the battery in such a manner that it cannot move around in the packaging.
11. Follow your local regulations relating to disposal of battery.

**SAVE THESE INSTRUCTIONS.**

**CAUTION:** Only use genuine Makita batteries. Use of non-genuine Makita batteries, or batteries that have been altered, may result in the battery bursting causing fires, personal injury and damage. It will also void the Makita warranty for the Makita tool and charger.

## Tips for maintaining maximum battery life

1. Charge the battery cartridge before completely discharged. Always stop tool operation and charge the battery cartridge when you notice less tool power.
2. Never recharge a fully charged battery cartridge. Overcharging shortens the battery service life.
3. Charge the battery cartridge with room temperature at 10 °C - 40 °C (50 °F - 104 °F). Let a hot battery cartridge cool down before charging it.
4. Charge the battery cartridge if you do not use it for a long period (more than six months).

## FUNCTIONAL DESCRIPTION

**CAUTION:** Always be sure that the tool is switched off and the battery cartridge is removed before adjusting or checking function on the tool.

## Installing or removing battery cartridge

**CAUTION:** Always switch off the tool before installing or removing of the battery cartridge.

**CAUTION:** Hold the tool and the battery cartridge firmly when installing or removing battery cartridge. Failure to hold the tool and the battery cartridge firmly may cause them to slip off your hands and result in damage to the tool and battery cartridge and a personal injury.

► Fig.1: 1. Red indicator 2. Button 3. Battery cartridge

To remove the battery cartridge, slide it from the tool while sliding the button on the front of the cartridge.

To install the battery cartridge, align the tongue on the battery cartridge with the groove in the housing and slip it into place. Insert it all the way until it locks in place with a little click. If you can see the red indicator on the upper side of the button, it is not locked completely.

**CAUTION:** Always install the battery cartridge fully until the red indicator cannot be seen. If not, it may accidentally fall out of the tool, causing injury to you or someone around you.

**CAUTION:** Do not install the battery cartridge forcibly. If the cartridge does not slide in easily, it is not being inserted correctly.

## Indicating the remaining battery capacity

Only for battery cartridges with "B" at the end of the model number

► Fig.2: 1. Indicator lamps 2. Check button

Press the check button on the battery cartridge to indicate the remaining battery capacity. The indicator lamps light up for few seconds.

Indicator lamps			Remaining capacity
Lighted	Off	Blinking	
■	■	■	75% to 100%
■	■	□	50% to 75%
■	□	□	25% to 50%
■	□	□	0% to 25%
◐	□	□	Charge the battery.
■	■	□	The battery may have malfunctioned.
□	□	■	

**NOTE:** Depending on the conditions of use and the ambient temperature, the indication may differ slightly from the actual capacity.

## Indicating the remaining battery capacity

Country specific

When you turn the tool on, the battery indicator shows the remaining battery capacity.

► Fig.3: 1. Battery indicator

The remaining battery capacity is shown as the following table.

Battery indicator status			Remaining battery capacity
On	Off	Blinking	
■	□	◐	50% - 100%
■	□	◐	20% - 50%
■	□	◐	0% - 20%
◐	□	◐	Charge the battery

## Tool / battery protection system

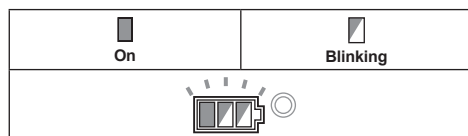
The tool is equipped with a tool/battery protection system. This system automatically cuts off power to the motor to extend tool and battery life. The tool will automatically stop during operation if the tool or battery is placed under one of the following conditions. In some conditions, the indicators light up.

### Overload protection

When the tool is operated in a manner that causes it to draw an abnormally high current, the tool automatically stops without any indication. In this situation, turn the tool off and stop the application that caused the tool to become overloaded. Then turn the tool on to restart.

### Overheat protection

When the tool is overheated, the tool stops automatically and the battery indicator shows following state. In this situation, let the tool cool before turning the tool on again.



If the tool does not start, the battery may be overheated. In this situation, let the battery cool before starting the tool again.

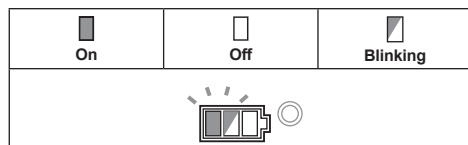
### Overdischarge protection

When the battery capacity is not enough, the tool stops automatically. In this case, remove the battery from the tool and charge the battery.

### Releasing protection lock

When the protection system works repeatedly, the tool is locked and the battery indicator shows the following state.

In this situation, the tool does not start even if turning the tool off and on. To release the protection lock, remove the battery, set it to the battery charger and wait until the charging finishes.



### Shaft lock

Press the shaft lock to prevent spindle rotation when installing or removing accessories.

► Fig.4: 1. Shaft lock

**NOTICE:** Never actuate the shaft lock when the spindle is moving. The tool may be damaged.

## Switch action

**CAUTION:** Before installing the battery cartridge into the tool, always check to see that the switch lever actuates properly and returns to the "OFF" position when released.

**CAUTION:** Do not pull the switch lever hard without pulling the lock-off lever. This can cause switch breakage.

To prevent the switch lever from being accidentally pulled, a lock-off lever is provided.



To start the tool, pull the lock-off lever toward the operator and then pull the switch lever.

To stop the tool, release the switch lever.

► Fig.5: 1. Lock-off lever 2. Switch lever

## Automatic speed change function

► Fig.6: 1. Mode indicator

Mode indicator status	Operation mode
	High speed mode
	High torque mode

This tool has "high speed mode" and "high torque mode". It automatically changes operation mode depending on the work load. When mode indicator lights up during operation, the tool is in high torque mode.

## Accidental re-start preventive function

Even if installing the battery cartridge while pulling the switch lever, the tool does not start.

To start the tool, first release the switch lever. Then pull the lock-off lever, and pull the switch lever.

## Electronic torque control function

The tool electronically detects situations where the wheel or accessory may be at risk to be bound. In the situation, the tool is automatically shut off to prevent further rotation of the spindle (it does not prevent kickback).

To restart the tool, switch off the tool first, remove the cause of sudden drop in the rotation speed, and then turn the tool on.

## Soft start feature

Soft start feature reduces starting reaction.

## Electric brake

Electric brake is activated after the tool is switched off. The brake does not work when the power supply is shut down, such as the battery is removed accidentally, with the switch still on.

## ASSEMBLY

**⚠ CAUTION:** Always be sure that the tool is switched off and the battery cartridge is removed before adjusting or checking function on the tool.

### Installing side grip (handle)

**⚠ CAUTION:** Always be sure that the side grip is installed securely before operation.

Screw the side grip securely on the position of the tool as shown in the figure.

► Fig.7

### Installing or removing wheel guard (For depressed center wheel, flap disc, flex wheel, wire wheel brush / abrasive cut-off wheel, diamond wheel)

**⚠ WARNING:** When using a depressed center wheel, flap disc, flex wheel or wire wheel brush, the wheel guard must be fitted on the tool so that the closed side of the guard always points toward the operator.

**⚠ WARNING:** When using an abrasive cut-off / diamond wheel, be sure to use only the special wheel guard designed for use with cut-off wheels.

(In some European countries, when using a diamond wheel, the ordinary guard can be used. Follow the regulations in your country.)

### For tool with locking screw type wheel guard

Mount the wheel guard with the protrusions on the wheel guard band aligned with the notches on the bearing box. Then rotate the wheel guard to such an angle that it can protect the operator according to work. Be sure to tighten the screw securely.

To remove wheel guard, follow the installation procedure in reverse.

► Fig.8: 1. Wheel guard 2. Bearing box 3. Screw

### For tool with clamp lever type wheel guard

Loosen the screw, and then pull the lever in the direction of the arrow. Mount the wheel guard with the protrusions on the wheel guard band aligned with the notches on the bearing box. Then rotate the wheel guard to such an angle that it can protect the operator according to work.

► Fig.9: 1. Wheel guard 2. Bearing box 3. Screw  
4. Lever

Pull the lever in direction of the arrow. Then tighten the wheel guard with fastening the screw. Be sure to tighten the screw securely. The setting angle of the wheel guard can be adjusted with the lever.

► Fig.10: 1. Screw 2. Lever

To remove wheel guard, follow the installation procedure in reverse.

### Installing or removing depressed center wheel or flap disc

#### Optional accessory

**⚠ WARNING:** When using a depressed center wheel or flap disc, the wheel guard must be fitted on the tool so that the closed side of the guard always points toward the operator.

**⚠ CAUTION:** Make sure that the mounting part of the inner flange fits into the inner diameter of the depressed center wheel / flap disc perfectly. Mounting the inner flange on the wrong side may result in the dangerous vibration.

Mount the inner flange onto the spindle. Make sure to fit the dented part of the inner flange onto the straight part at the bottom of the spindle. Fit the depressed center wheel / flap disc on the inner flange and screw the lock nut onto the spindle.

► Fig.11: 1. Lock nut 2. Depressed center wheel  
3. Inner flange 4. Mounting part

To tighten the lock nut, press the shaft lock firmly so that the spindle cannot revolve, then use the lock nut wrench and securely tighten clockwise.

► Fig.12: 1. Lock nut wrench 2. Shaft lock

To remove the wheel, follow the installation procedure in reverse.

### Installing or removing flex wheel

#### Optional accessory

**⚠ WARNING:** Always use supplied guard when flex wheel is on tool. Wheel can shatter during use and guard helps to reduce chances of personal injury.

► Fig.13: 1. Lock nut 2. Flex wheel 3. Back up pad  
4. Inner flange

Follow instructions for depressed center wheel but also use back up pad over wheel. See order of assembly on accessories page in this manual.

### Installing or removing abrasive disc

#### Optional accessory

**NOTE:** Use sander accessories specified in this manual. These must be purchased separately.

### For 100 mm (4") model

► Fig.14: 1. Sanding lock nut 2. Abrasive disc  
3. Rubber pad 4. Inner flange

1. Mount the inner flange onto the spindle.
2. Mount the rubber pad onto the spindle.
3. Fit the disc on the rubber pad and screw the sanding lock nut onto the spindle.

4. Hold the spindle with the shaft lock, and securely tighten the sanding lock nut clockwise with the lock nut wrench.

To remove the disc, follow the installation procedure in reverse.

## For 115 mm (4 - 1/2") / 125 mm (5") model

► Fig.15: 1. Sanding lock nut 2. Abrasive disc 3. Rubber pad

1. Mount the rubber pad onto the spindle.
2. Fit the disc on the rubber pad and screw the sanding lock nut onto the spindle.
3. Hold the spindle with the shaft lock, and securely tighten the sanding lock nut clockwise with the lock nut wrench.

To remove the disc, follow the installation procedure in reverse.

## OPERATION

**⚠ WARNING:** It should never be necessary to force the tool. The weight of the tool applies adequate pressure. Forcing and excessive pressure could cause dangerous wheel breakage.

**⚠ WARNING:** ALWAYS replace wheel if tool is dropped while grinding.

**⚠ WARNING:** NEVER bang or hit grinding disc or wheel onto work.

**⚠ WARNING:** Avoid bouncing and snagging the wheel, especially when working corners, sharp edges etc. This can cause loss of control and kickback.

**⚠ WARNING:** NEVER use tool with wood cutting blades and other saw blades. Such blades when used on a grinder frequently kick and cause loss of control leading to personal injury.

**⚠ CAUTION:** Never switch on the tool when it is in contact with the workpiece, it may cause an injury to operator.

**⚠ CAUTION:** Always wear safety goggles or a face shield during operation.

**⚠ CAUTION:** After operation, always switch off the tool and wait until the wheel has come to a complete stop before putting the tool down.

**⚠ CAUTION:** ALWAYS hold the tool firmly with one hand on housing and the other on the side handle.

## Grinding and sanding operation

► Fig.16

Turn the tool on and then apply the wheel or disc to the workpiece.

In general, keep the edge of the wheel or disc at an angle of about 15° to the workpiece surface.

During the break-in period with a new wheel, do not work the grinder in forward direction or it may cut into the workpiece. Once the edge of the wheel has been rounded off by use, the wheel may be worked in both forward and backward direction.

## Operation with abrasive cut-off / diamond wheel

### Optional accessory

**⚠ WARNING:** When using an abrasive cut-off / diamond wheel, be sure to use only the special wheel guard designed for use with cut-off wheels.

(In some European countries, when using a diamond wheel, the ordinary guard can be used. Follow the regulations in your country.)

**⚠ WARNING:** NEVER use cut-off wheel for side grinding.

**⚠ WARNING:** Do not "jam" the wheel or apply excessive pressure. Do not attempt to make an excessive depth of cut. Overstressing the wheel increases the loading and susceptibility to twisting or binding of the wheel in the cut and the possibility of kickback, wheel breakage and overheating of the motor may occur.

**⚠ WARNING:** Do not start the cutting operation in the workpiece. Let the wheel reach full speed and carefully enter into the cut moving the tool forward over the workpiece surface. The wheel may bind, walk up or kickback if the power tool is started in the workpiece.

**⚠ WARNING:** During cutting operations, never change the angle of the wheel. Placing side pressure on the cut-off wheel (as in grinding) will cause the wheel to crack and break, causing serious personal injury.

**⚠ WARNING:** A diamond wheel shall be operated perpendicular to the material being cut.

► Fig.17: 1. Lock nut 2. Abrasive cut-off wheel / diamond wheel 3. Inner flange 4. Wheel guard for abrasive cut-off wheel / diamond wheel

As for the installation, follow the instructions for depressed center wheel.

The direction for mounting the lock nut and the inner flange varies by wheel type and thickness. Refer to the following figures.

## For 100 mm (4") model

When installing the abrasive cut-off wheel:

► Fig.18: 1. Lock nut 2. Abrasive cut-off wheel (Thinner than 4mm (5/32")) 3. Abrasive cut-off wheel (4mm (5/32") or thicker) 4. Inner flange

When installing the diamond wheel:

► Fig.19: 1. Lock nut 2. Diamond wheel (Thinner than 4mm (5/32")) 3. Diamond wheel (4mm (5/32") or thicker) 4. Inner flange

## For 115 mm (4 - 1/2") / 125 mm (5") model

When installing the abrasive cut-off wheel:

- **Fig.20:** 1. Lock nut 2. Abrasive cut-off wheel (Thinner than 4mm (5/32")) 3. Abrasive cut-off wheel (4mm (5/32") or thicker) 4. Inner flange

When installing the diamond wheel:

- **Fig.21:** 1. Lock nut 2. Diamond wheel (Thinner than 4mm (5/32")) 3. Diamond wheel (4mm (5/32") or thicker) 4. Inner flange

## Operation with wire cup brush

### Optional accessory

**CAUTION:** Check operation of brush by running tool with no load, insuring that no one is in front of or in line with brush.

**CAUTION:** Do not use brush that is damaged, or which is out of balance. Use of damaged brush could increase potential for injury from contact with broken brush wires.

- **Fig.22:** 1. Wire cup brush

Remove the battery cartridge from the tool and place it upside down allowing easy access to spindle.

Remove any accessories on spindle. Thread wire cup brush onto spindle and tighten with supplied wrench.

**NOTICE:** Avoid applying too much pressure which causes over bending of wires when using brush. It may lead to premature breakage.

## Operation with wire wheel brush

### Optional accessory

**CAUTION:** Check operation of wire wheel brush by running tool with no load, insuring that no one is in front of or in line with the wire wheel brush.

**CAUTION:** Do not use wire wheel brush that is damaged, or which is out of balance. Use of damaged wire wheel brush could increase potential for injury from contact with broken wires.

**CAUTION:** ALWAYS use guard with wire wheel brushes, assuring diameter of wheel fits inside guard. Wheel can shatter during use and guard helps to reduce chances of personal injury.

- **Fig.23:** 1. Wire wheel brush

Remove the battery cartridge from the tool and place it upside down allowing easy access to spindle.

Remove any accessories on spindle. Thread wire wheel brush onto spindle and tighten with the wrenches.

**NOTICE:** Avoid applying too much pressure which causes over bending of wires when using wire wheel brush. It may lead to premature breakage.

## MAINTENANCE

**CAUTION:** Always be sure that the tool is switched off and the battery cartridge is removed before attempting to perform inspection or maintenance.

**NOTICE:** Never use gasoline, benzine, thinner, alcohol or the like. Discoloration, deformation or cracks may result.

## Air vent cleaning

The tool and its air vents have to be kept clean.

Regularly clean the tool's air vents or whenever the vents start to become obstructed.

- **Fig.24:** 1. Exhaust vent 2. Inhalation vent

Remove the dust cover from inhalation vent and clean it for smooth air circulation.

- **Fig.25:** 1. Dust cover

**NOTE:** Clean out the dust cover when it is clogged with dust or foreign matters. Continuing operation with a clogged dust cover may damage the tool.

# OPTIONAL ACCESSORIES

**⚠ CAUTION:** These accessories or attachments are recommended for use with your Makita tool specified in this manual. The use of any other accessories or attachments might present a risk of injury to persons. Only use accessory or attachment for its stated purpose.

If you need any assistance for more details regarding these accessories, ask your local Makita Service Center.

- Makita genuine battery and charger

► Fig.26

-	100 mm (4") model	115 mm (4-1/2") model	125 mm (5") model
1	Grip 36		
2	Wheel Guard (for grinding wheel)		
3	Inner flange		
4	Depressed center wheel / Flap disc		
5	Lock nut		
6	Back up pad		
7	Flex wheel		
8	Inner flange and rubber pad 76	Rubber pad 100	Rubber pad 115
9	Abrasive disc		
10	Sanding lock nut		
11	Wire wheel brush		
12	Wire cup brush		
13	Wheel Guard (for cut-off wheel) *1		
14	Abrasive cut-off wheel / Diamond wheel		
-	Lock nut wrench		

**NOTE:** \*1 In some European countries, when using a diamond wheel, the ordinary guard can be used instead of the special guard covering the both side of the wheel. Follow the regulations in your country.

**NOTE:** Some items in the list may be included in the tool package as standard accessories. They may differ from country to country.

## SPECIFIKATIONER

Modell:		DGA408	DGA458	DGA508
Kapskivans diameter		100 mm (4")	115 mm (4-1/2")	125 mm (5")
Max. skivtjocklek		6,4 mm		
Spindelgånga		M10	M14 eller 5/8" (landsspecifikt)	
Nominellt varvtal (n)		8 500 min <sup>-1</sup>		
Total längd	Med batterikassett BL1815N, BL1820, BL1820B	348 mm		
	Med batterikassett BL1830, BL1830B, BL1840, BL1840B, BL1850, BL1850B, BL1860B	362 mm		
Nettovikt	Med batterikassett BL1815N, BL1820, BL1820B	2,2 kg	2,4 kg	
	Med batterikassett BL1830, BL1830B, BL1840, BL1840B, BL1850, BL1850B, BL1860B	2,5 kg	2,6 kg	
Märkspänning		18 V likström		

- På grund av vårt pågående program för forskning och utveckling kan dessa specifikationer ändras utan föregående meddelande.
- Specifikationer och batterikassett kan variera mellan olika länder.
- Vikt, med batterikassett, i enlighet med EPTA-procedure 01/2003

### Avsedd användning

Maskinen är avsedd för slipning och kapning i trä och stenmaterial utan användning av vatten.

### Buller

Den normala bullernivån för A-belastning är bestämd enligt EN60745:

#### Model DGA458

Ljudtrycksnivå ( $L_{pA}$ ): 80 dB (A)

Måttolerans (K): 3 dB (A)

#### Model DGA508

Ljudtrycksnivå ( $L_{pA}$ ): 79 dB (A)

Måttolerans (K): 3 dB (A)

Bullernivån vid arbete kan överstiga 80 dB (A).

**⚠ VARNING: Använd hörselskydd.**

### Vibration

Det totala vibrationsvärdet (treaxlad vektorsumma) bestämt enligt EN60745:

#### Model DGA458

Arbetsläge: planslipning med normalt sidohandtag

Vibrationsemission ( $a_{h,AG}$ ): 5,5 m/s<sup>2</sup>

Måttolerans (K): 1,5 m/s<sup>2</sup>

Arbetsläge: planslipning med anti-vibrationssidohandtag

Vibrationsemission ( $a_{h,AG}$ ): 5,0 m/s<sup>2</sup>

Måttolerans (K): 1,5 m/s<sup>2</sup>

Arbetsläge: skivslipning med normalt sidohandtag

Vibrationsemission ( $a_{h,DS}$ ): 2,5 m/s<sup>2</sup> eller lägre

Måttolerans (K): 1,5 m/s<sup>2</sup>

Arbetsläge: skivslipning med anti-vibrationssidohandtag

Vibrationsemission ( $a_{h,DS}$ ): 2,5 m/s<sup>2</sup> eller lägre

Måttolerans (K): 1,5 m/s<sup>2</sup>

#### Model DGA508

Arbetsläge: planslipning med normalt sidohandtag

Vibrationsemission ( $a_{h,AG}$ ): 6,0 m/s<sup>2</sup>

Måttolerans (K): 1,5 m/s<sup>2</sup>

Arbetsläge: planslipning med anti-vibrationssidohandtag

Vibrationsemission ( $a_{h,AG}$ ): 5,5 m/s<sup>2</sup>

Måttolerans (K): 1,5 m/s<sup>2</sup>

Arbetsläge: skivslipning med normalt sidohandtag

Vibrationsemission ( $a_{h,DS}$ ): 2,5 m/s<sup>2</sup> eller lägre

Måttolerans (K): 1,5 m/s<sup>2</sup>

Arbetsläge: skivslipning med anti-vibrationssidohandtag

Vibrationsemission ( $a_{h,DS}$ ): 2,5 m/s<sup>2</sup> eller lägre

Måttolerans (K): 1,5 m/s<sup>2</sup>

**OBS:** Det deklarerade vibrationsemissionsvärdet har uppmätts i enlighet med standardtestmetoden och kan användas för att jämföra en maskin med en annan.

**OBS:** Det deklarerade vibrationsemissionsvärdet kan också användas i en preliminär bedömning av exponering för vibration.



**⚠ VARNING:** Vibrationsemissionen under faktisk användning av maskinen kan skilja sig från det deklarerade emissionsvärdet, beroende på hur maskinen används.

**⚠ VARNING:** Var noga med att identifiera säkerhetsåtgärder för att skydda användaren, vilka är grundade på en uppskattning av graden av exponering för vibrationer under de faktiska användningsförhållandena, (ta, förutom avtryckartiden, med alla delar av användarcykeln i beräkningen, som till exempel tiden då maskinen är avstängd och när den går på tomgång).

**⚠ VARNING:** Det deklarerade vibrationsemissionsvärdet används för maskinens huvudsakliga arbetsuppgifter. Om maskinen används för andra arbetsuppgifter kan däremot vibrationsemissionsvärdet bli annorlunda.

## EU-konformitetsdeklaration

### Gäller endast inom EU

Makita försäkrar att följande maskiner:

Maskinbeteckning: Batteridrivna vinkelslipmaskin

Modellnr./-typ: DGA458, DGA508

Följer följande EU-direktiv: 2006/42/EC

De är tillverkade i enlighet med följande standard eller standardiseringsdokument: EN60745

Den tekniska dokumentationen i enlighet med 2006/42/EC finns tillgänglig från:

Makita, Jan-Baptist Vinkstraat 2, 3070, Belgium

11.8.2015



Yasushi Fukaya

Direktör

Makita, Jan-Baptist Vinkstraat 2, 3070, Belgium

## Allmänna säkerhetsvarningar för maskiner

**⚠ VARNING:** Läs igenom alla säkerhetsvarningar och anvisningar. Underlåtenhet att följa varningar och instruktioner kan leda till elstötar, brand och/eller allvarliga personskador.

## Spara alla varningar och instruktioner för framtida referens.

Termen "maskin" som anges i varningarna hänvisar till din eldrivna maskin (sladdansluten) eller batteridrivna maskin (sladdlös).

## Säkerhetsvarningar för batteridrivna slipmaskin

Säkerhetsvarningar för slipning, stålborstning eller abrasiv skärning:

1. **Den här maskinen är utformad för att användas för slipning, stålborstning eller som skärverktyg. Läs alla säkerhetsvarningar, anvisningar, illustrationer och specifikationer som medföljer den här maskinen.** Underlåtenhet att följa instruktionerna kan leda till elstötar, brand och/eller allvarliga personskador.

2. **Den här maskinen rekommenderas inte för poleringsarbeten.** Om maskinen används till andra arbeten än de avsedda, kan det orsaka fara och personskada.
3. **Använd inte tillbehör som inte är särskilt tillverkade och rekommenderade av maskinens tillverkare.** Även om ett tillbehör kan fästas på maskinen garanterar detta inte säker funktion.
4. **Tillbehörets nominella varvtal måste vara minst lika med det maximala varvtalet som anges på verktyget.** Tillbehör som används över det nominella varvtalet kan gå sönder och orsaka skador.
5. **Tillbehörets ytterdiameter och tjocklek måste vara anpassad till elverktygets kapacitetsklassning.** Tillbehör i olämplig storlek kan inte skyddas eller styras tillräckligt väl.
6. **Gångorna på tillbehör som monteras måste stämma överens med spindelgångarna på slipmaskinen.** För tillbehör som monteras med flänsar måste tillbehörets centrumhål passa i flänsens lokaliseringsdiameter. Tillbehör som inte passar exakt på maskinens monteringsbeslag roterar ojämnt, vibrerar kraftigt och kan leda till att du förlorar kontrollen.
7. **Använd inte ett skadat tillbehör. Kontrollera tillbehör som slipredor efter hack och sprickor, underlagsplattor efter sprickor, slitage och stålborstar efter lösa eller brutna trådar.** Om du tappar maskinen eller ett tillbehör ska du kontrollera att det inte har uppstått några skador, eller så ska tillbehöret bytas ut mot ett oskadat. Efter kontroll och montering av tillbehöret ska du och åskådare hålla er borta från det roterande tillbehöret samtidigt som du kör maskinen på full fart utan last i en minut. Skadade tillbehör går normalt sönder under den här testtiden.
8. **Använd personlig skyddsutrustning. Använd visir, korgglasögon eller skyddsglasögon beroende på arbetsuppgift. Använd vid behov dammskydd, hörselskydd, handskar och skyddsförkläde som stoppar små bitar slipmaterial eller fragment från arbetsstycket.** Ögonskyddet måste kunna stoppa flygande fragment som uppstår vid olika arbeten. Dammskyddet eller andningsskyddet måste kunna filtrera partiklar som uppstår vid olika arbeten. Lång tid i kraftigt buller kan orsaka hörselskador.
9. **Håll personer i omgivningen på säkert avstånd från arbetsområdet. Alla som befinner sig i arbetsområdet måste använda skyddsutrustning.** Delar av arbetsstycket eller defekta tillbehör kan flyga iväg och orsaka skador utanför arbetsområdet.
10. **Håll maskinen endast i de isolerade handtagen om det finns risk för att skärverktyget kan komma i kontakt med en dold elkabel.** Om skärverktyget kommer i kontakt med en strömförande ledning blir maskinens metalldelar strömförande och kan ge användaren en elektrisk stöt.
11. **Lägg aldrig elverktyget åt sidan förrän det har stannat helt.** Det roterande tillbehöret kan gripa tag i underlaget och du kan förlora kontrollen över maskinen.

12. **Kör inte verktyget samtidigt som du bär det.** Oavsiktlig kontakt med det roterande tillbehöret kan leda till att det fastnar i dina kläder och dras in mot kroppen.
13. **Rengör regelbundet verktygets ventilationsöppningar.** Motors fläkt suger in damm i höljet och överdriven ansamling av pulveriserad metall kan orsaka elektrisk fara.
14. **Använd inte verktyget i närheten av lättantändliga material.** Gnistor kan antända dessa material.
15. **Använd inte tillbehör som kräver flytande kylvätskor.** Att använda vatten eller andra flytande kylvätskor kan orsaka dödsfall eller elektriska stötar.
3. **Sprängskyddet måste vara ordentligt fäst vid maskinen och placerat för maximal säkerhet, så att minsta möjliga yta av skivan är öppen mot användare.** Sprängskyddet skyddar användaren mot trasiga skivdelar, oavsiktlig kontakt med skivan och gnistor som kan antända kläder.
4. **Kapskivorna får endast användas till rekommenderade arbetsuppgifter. Till exempel: Slipa inte med en kapskivas utsida.** Slipande kapskivor är avsedda för periferislipning. Sidokrafter kan spränga sådana skivor.
5. **Använd alltid oskadade skivflansar i rätt storlek och form till din skiva.** Rätt skivflansar stöder kapskivan och minskar därigenom risken för att skivan går sönder. Flansar till kapskivor kan skilja sig från flansar till slipskivor.

#### Bakåtkast och relaterade varningar

Bakåtkast är en plötslig reaktion på fastnytt roterande hjul, underlagsplatta, borste eller annat tillbehör. Nyp och kärvning orsakar stegring av det roterande tillbehöret, och orsakar i sin tur att den okontrollerade maskinen tvingas i motsatt riktning vid kärvningspunkten. Om till exempel en slipskiva fastnar i eller kläms fast av arbetsstycket kan skivans kapande kant gräva sig in i materialytan vid klämpunkten, vilket leder till att skivan klättrar eller kastas tillbaka. Skivan kan antingen hoppa mot eller från användaren, beroende på skivans rörelseriktning vid klämpunkten. Slipskivorna kan även gå sönder under dessa omständigheter.

Bakåtkast beror på ovarsamhet och/eller felaktiga arbetsrutiner, och kan undvikas genom att vidta nedanstående förebyggande åtgärder.

1. **Se till att hålla verktyget i ett fast grepp och placera kroppen och din arm på ett sätt som gör att du kan stå emot kraften från bakåtkast.** Använd alltid ett extrahandtag, om sådant finns, för maximal kontroll vid bakåtkast eller vridrörelsen vid start. Användaren kan kontrollera vridrörelsen eller krafterna vid bakåtkast om rätt försiktighetsåtgärder vidtas.
2. **Placera aldrig din hand nära det roterande tillbehöret.** Tillbehöret kan kastas bakåt över din hand.
3. **Ställ dig inte där maskinen kommer att förflytta sig i händelse av bakåtkast.** Bakåtkast driver verktyget i motsatt riktning till kapskivans rörelse vid kärvningspunkten.
4. **Var extra försiktig när du bearbetar hörn, vassa kanter osv. Undvik att studsas och stöta tillbehöret.** Hörn, skarpa kanter eller studsning har en tendens att klämma det roterande tillbehöret och orsaka förlorad kontroll eller bakåtkast.
5. **Montera inte en sågkedja, snidarblad eller ett tandat sågblad.** Sådana blad orsakar ofta bakåtkast och förlorad kontroll.

#### Säkerhetsvarningar för slipning och abrasiv skärning:

1. **Använd endast de skivor som rekommenderas för din maskin och det särskilda sprängskyddet för skivan.** Skivor som inte tillverkats för maskinen kan inte skyddas tillräckligt och är inte tillförlitliga.
2. **Slipytan på nedsänkta skivor måste monteraras under planet från sprängskyddets kant.** En felaktigt monterad skiva som sticker utanför planet från sprängskyddets kant är inte tillräckligt skyddad.

#### Ytterligare särskilda säkerhetsvarningar för abrasiv skärning:

1. **"Pressa" inte skivan eller utsätt den för överdrivet tryck. Försök inte att göra ett alltför stort kapdjup.** Om kapskivan överbelastas ökar belastningen och risken för att skivan vrids eller fastnar i kapet samt risken för bakåtkast eller att skivan går sönder.
2. **Placera inte din kropp längs med eller bakom den roterande skivan.** När skivan rör sig ifrån dig, kan ett bakåtkast skicka den roterande skivan och maskinen mot dig.
3. **Om kapskivan kärvar eller om ett kap avbryts stänger du av elverktyget och håller det stilla tills skivan har stannat helt. Försök aldrig att ta ut kapskivan ur skäret när skivan är i rörelse, för att undvika bakåtkast.** Undersök och vidta korrigeringsåtgärder för att eliminera orsaken till att kapskivan fastnar.
4. **Starta inte om kapningen med verktyget kvar i arbetsstycket. Låt maskinen nå full hastighet och gå tillbaka i skäret.** Kapskivan kan fastna, vandra uppåt eller kastas bakåt om elverktyget startas om i arbetsstycket.
5. **Stötta långa eller stora arbetsstycken för att minimera risken för att kapskivan fastnar och kastas bakåt.** Stora arbetsstycken tenderar att svikta på grund av sin egen vikt. Stöd måste placeras under arbetsstycket nära såglinjen och nära arbetsstyckets kanter på båda sidorna om kapskivan.
6. **Var extra försiktig vid genomstickssågning i en befintlig vägg eller andra dolda utrymmen.** Den utskjutande kapskivan kan kapa gas- eller vattenledningar, elledningar eller föremål som kan orsaka bakåtkast.

#### Säkerhetsvarningar särskilt vid slipning:

1. **Använd inte för stora slipskivor. Följ tillverkarens rekommendationer när du väljer slipskiva.** Större slippapper som sticker ut utanför underlaget ger risk för rivning och kan orsaka kärvning, rivning av skivan eller bakåtkast.

## Säkerhetsvarningar särskilt vid stålborstning:

1. Var uppmärksam på att trådbitar kastas ut från borsten även vid normal användning. Överbelasta inte trådarna genom att anlägga onödigt stor kraft mot borsten. Trådarna kan enkelt gå igenom tunnare klädsel och/eller huden.
2. Om användning av skydd rekommenderas vid stålborstning får inte borstskivan eller borsten gå emot skyddet. Borstens diameter kan expandera på grund av belastningen eller centrifugalkraften.

## Ytterligare säkerhetsvarningar:

1. Vid användning av nedsänkta center-rondeller ska endast glasfiberförstärkta rondeller användas.
2. ANVÄND ALDRIG sten-skålskivor med denna slipmaskin. Denna slipmaskin är inte konstruerad för denna typ av skivor och användningen av dessa kan resultera i allvarlig personskada.
3. Var försiktig så att inte spindeln, flänsen (i synnerhet monteringsytan) eller låsmuttern skadas. Skador på någon av dessa delar kan medföra att rondellen förstörs.
4. Se till att rondellen inte är i kontakt med arbetsstycket när du trycker på avtryckaren.
5. Låt verktyget vara igång en stund innan det används på arbetsstycket. Kontrollera att skivan inte vibrerar eller skakar, vilket kan innebära att den är felaktigt monterad eller dåligt balanserad.
6. Slipa endast med den del av rondellen som är avsedd för slipning.
7. Lämna inte maskinen igång. Använd endast maskinen när du håller den i händerna.
8. Rör inte vid arbetsstycket omedelbart efter arbetet. Det kan vara extremt varmt och orsaka brännskador.
9. Följ tillverkarens anvisningar för korrekt montering och användning av rondeller. Hantera rondellerna varsamt och förvara dem på en säker plats.
10. Använd inte separata reducerhylsor eller adapterar för att kunna använda sliprondeller med större hål.
11. Använd endast flänsar som är avsedda för den här maskinen.
12. Kontrollera att gänglängden i rondellen är tillräckligt lång för spindellängden om rondellen är avsedd att gängas fast.
13. Kontrollera att arbetsstycket är ordentligt fastsatt.
14. Tänk på att rondellen fortsätter att rotera efter att maskinen stängts av.
15. Om arbetsplatsen är extremt varm och fuktig, eller har hög koncentration av elektriskt ledande damm, ska jordfelsbrytare (30 mA) användas för användarens säkerhet.
16. Använd inte maskinen för material som innehåller asbest.
17. Använd alltid föreskrivet dammuppsamlade sprängskydd när du arbetar med kapskiva.
18. Kapskivor får inte utsättas för sidokrafter.

19. Använd inte arbetshandskar i tyg när du arbetar med maskinen. Fibrer från tyghandskar kan komma in i maskinen och orsaka fel.

## SPARA DESSA ANVISNINGAR.

**⚠ VARNING: GLÖM INTE** att också fortsättningsvis strikt följa säkerhetsanvisningarna för maskinen även efter att du blivit van att använda den. Vid FELAKTIG HANTERING av maskinen eller om inte säkerhetsanvisningarna i denna bruksanvisning följs kan följden bli allvarliga personskador.

## Viktiga säkerhetsanvisningar för batterikassetten

1. Innan batterikassetten används ska alla instruktioner och varningsmärken på (1) batteriladdaren, (2) batteriet och (3) produkten läsas.
2. Montera inte isär batterikassetten.
3. Om drifttiden blivit avsevärt kortare ska användningen avbrytas omedelbart. Det kan uppstå överhettning, brännskador och t o m en explosion.
4. Om du får elektrolyt i ögonen ska de sköljas med rent vatten och läkare uppsökas omedelbart. Det finns risk för att synen förloras.
5. Kortslut inte batterikassetten.
  - (1) Rör inte vid polerna med något strömförande material.
  - (2) Undvik att förvara batterikassetten tillsammans med andra metallobjekt som t.ex. spikar, mynt o.s.v.
  - (3) Skydda batteriet mot vatten och regn. En batterikortslutning kan orsaka ett stort strömflöde, överhettning, brand och maskinhaveri.
6. Förvara inte maskinen och batterikassetten på platser där temperaturen kan nå eller överstiga 50 °C.
7. Bränn inte upp batterikassetten även om den är svårt skadad eller helt utsliten. Batterikassetten kan explodera i öppen eld.
8. Var försiktig så att du inte råkar tappa batteriet och utsätt det inte för stötar.
9. Använd inte ett skadat batteri.
10. De medföljande litiumjonbatterierna är föremål för kraven i gällande lagstiftning för farligt gods. För kommersiella transporter (av t.ex. tredje parter som speditorsfirmor) måste de särskilda transportkrav som anges på emballaget och etiketter iakttas. För att förbereda den produkt som ska avsändas krävs att du konsulterar en expert på riskmaterial. Var också uppmärksam på att det i ditt land kan finnas ytterligare föreskrifter att följa. Tejpa över eller maskera blottade kontakter och packa batteriet på sådant sätt att det inte kan röra sig fritt i förpackningen.
11. Följ lokala föreskrifter beträffande avfallshandtering av batteriet.

## SPARA DESSA ANVISNINGAR.

**⚠ FÖRSIKTIGT:** Använda endast äkta Makita-batterier. Användning av oäkta Makita-batterier eller batterier som har manipulerats kan leda till person- och utrustningsskador eller till att batteriet fattar eld. Det upphäver också Makitas garanti för verktyget och laddaren.

## Tips för att uppnå batteriets maximala livslängd

1. Ladda batterikassetten innan den är helt urladdad. Stanna alltid maskinen och ladda batterikassetten när du märker att maskinen blir svagare.
2. Ladda aldrig en fulladdad batterikasset. Överladdning förkortar batteriets livslängd.
3. Ladda batterikassetten vid en rumstemperatur på 10 °C - 40 °C. Låt en varm batterikasset svalna innan den laddas.
4. Ladda batterikassetten om du inte har använt den på länge (mer än sex månader).

## FUNKTIONSBESKRIVNING

**⚠ FÖRSIKTIGT:** Se alltid till att maskinen är avstängd och batterikassetten borttagen innan du justerar maskinen eller kontrollerar dess funktioner.

## Montera eller demontera batterikassetten

**⚠ FÖRSIKTIGT:** Stäng alltid av maskinen innan du monterar eller tar bort batterikassetten.

**⚠ FÖRSIKTIGT:** Håll stadigt i maskinen och batterikassetten när du monterar eller tar bort batterikassetten. I annat fall kan det leda till att de glider ur dina händer och orsakar skada på maskinen och batterikassetten samt personskada.

► Fig.1: 1. Röd indikator 2. Knapp 3. Batterikasset

Ta bort batterikassetten genom att skjuta ner knappen på kassetens framsida samtidigt som du drar ut batterikassetten.

Sätt i batterikassetten genom att rikta in tungan på batterikassetten mot spåret i höljet och skjut den på plats. Tryck in batterikassetten ordentligt tills den låser fast med ett klick. Om du kan se den röda indikatorn på knappens ovansida är den inte låst ordentligt.

**⚠ FÖRSIKTIGT:** Sätt alltid i batterikassetten helt tills den röda indikatorn inte längre syns. I annat fall kan den oväntat falla ur maskinen och skada dig eller någon annan.

**⚠ FÖRSIKTIGT:** Monterar inte batterikassetten med våld. Om kassetten inte lätt glider på plats är den felinsatt.

## Indikerar kvarvarande batterikapacitet

Gäller endast för batterikassetter med ett "B" på slutet i modellnumret

► Fig.2: 1. Indikatorlampor 2. Kontrollknapp

Tryck på kontrollknappen på batterikassetten för att se kvarvarande batterikapacitet. Indikatorlamporna lyser i ett par sekunder.

Indikatorlampor			Kvarvarande kapacitet
Upplyst	Av	Blinkar	
■ ■ ■ ■			75% till 100%
■ ■ ■ □			50% till 75%
■ ■ □ □			25% till 50%
■ □ □ □			0% till 25%
□ □ □ □	▲		Ladda batteriet.
■ ■ □ □	↑ ↓		Batteriet kan ha skadats.

**OBS:** Beroende på användningsförhållanden och den omgivande temperaturen kan indikationen skilja sig lätt från den faktiska batterikapaciteten.

## Indikerar kvarvarande batterikapacitet

Landsspecifik

När maskinen startas visar batteriindikatorn kvarvarande batterikapacitet.

► Fig.3: 1. Batteriindikator

Den kvarvarande batterikapaciteten visas som i nedanstående tabell.

Batteriindikatorstatus			Kvarvarande batterikapacitet
På	Av	Blinkar	
			50% - 100%
			20% - 50%
			0% - 20%
			Ladda batteriet

## Skyddssystem för maskinen/ batteriet

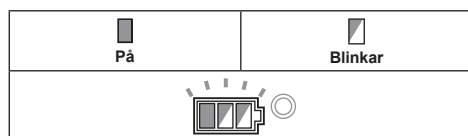
Maskinen är utrustad med ett skyddssystem för maskinen-/batteriet. Detta system bryter automatiskt strömmen till motorn för att förlänga maskinens och batteriets livslängd. Maskinen stoppar automatiskt under användningen om maskinen eller batteriet hamnar i en av följande situationer. Indikatorerna tänds i vissa situationer.

### Överbelastningsskydd

Om maskinen används på ett sätt som gör att den drar onormalt mycket ström kan den stoppas automatiskt utan någon varning. När detta sker stänger du av maskinen och upphör med arbetet som gjorde att maskinen överbelastades. Starta därefter upp maskinen igen.

### Överhettningsskydd

När maskinen är överhettad stoppar den automatiskt och batteriindikatorn visar nedanstående status. Låt då maskinen svalna innan du startar den igen.



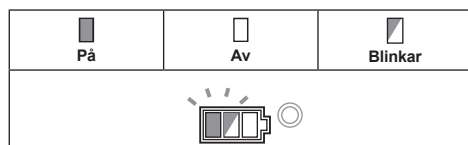
Om maskinen inte startar kan det hända att batteriet är överhettat. Låt då batteriet svalna innan du startar maskinen igen.

### Överurladdningsskydd

När batteriets kapacitet är otillräcklig stoppar maskinen automatiskt. I sådant fall ska batteriet tas ur maskinen och laddas.

### Frigöra skyddslåset

När skyddssystemet aktiveras flera gånger låses maskinen och batteriindikatorn visar nedanstående status. I denna situation startar inte maskinen även om den slås av och sedan på igen. För att frigöra skyddslåset tar du ur batteriet, sätter det i batteriladdaren och väntar tills laddningen är klar.



### Spindellås

Tryck ned spindellåset för att förhindra att spindeln roterar när du monterar eller tar bort tillbehör.

► Fig.4: 1. Spindellås

**OBSERVERA:** Aktivera aldrig spindellåset medan spindeln rör sig. I annat fall kan maskinen skadas.

## Avtryckarens funktion

**⚠FÖRSIKTIGT:** Kontrollera alltid att avtryckaren löser ut ordentligt och återgår till läget "OFF" när den släpps innan batterikassetten installeras i verktyget.

**⚠FÖRSIKTIGT:** Tryck aldrig in avtryckaren hårt utan att ha tryckt in säkerhetsspärren. I annat fall kan avtryckaren skadas.

För att förhindra att avtryckaren trycks in av misstag finns det en säkerhetsspärr.



Starta verktyget genom att dra säkerhetsspärren mot dig, och tryck sedan in avtryckaren.

För att stoppa maskinen släpper du avtryckaren.

► Fig.5: 1. Säkerhetsspärr 2. Säkerhetsgrepp

## Funktion för automatisk ändring av hastighet

► Fig.6: 1. Lägesindikator

Lägesindikatorstatus	Driftläge
	Höghastighetsläge
	Läge för högt vridmoment

Maskinen har ett höghastighetsläge och ett läge för högt vridmoment. Den ändrar automatiskt driftläge beroende på arbetsbelastningen. När lägesindikatorn tänds under drift är maskinen i läget för högt vridmoment.

## Funktion för att förhindra oavsiktlig omstart

Verktyget startar inte även om batterikassetten installeras samtidigt som avtryckaren trycks in.

Starta verktyget genom att först frigöra avtryckaren. Dra sedan ut säkerhetsspärren och tryck in avtryckaren.

## Funktion för elektronisk vridmomentskontroll

Maskinen identifierar situationer på elektronisk väg där hjul eller tillbehör riskerar att fastna. I en sådan situation stängs maskinen automatiskt av för att förhindra att spindeln roterar ytterligare (emellertid förhindras inte bakåtkast).

För att starta om maskinen stänger du först av den, avlägsnar orsaken till den plötsliga minskningen av rotationshastigheten, och slår sedan på maskinen igen.

## Mjukstartfunktion

Mjukstartfunktionen dämpar startchocken.

## Elektronisk broms

Den elektroniska bromsen aktiveras när maskinen stängs av.

Bromsen fungerar inte när strömtillförseln stängs av (t.ex. om batteriet tas ur) med avtryckaren aktiverad.

## MONTERING

**⚠ FÖRSIKTIGT:** Se alltid till att maskinen är avstängd och batterikassetten borttagen innan du justerar maskinen eller kontrollerar dess funktioner.

### Montera sidohandtaget

**⚠ FÖRSIKTIGT:** Kontrollera alltid att sidohandtaget sitter fast ordentligt innan arbetet påbörjas.

Skruva fast sidohandtaget ordentligt på rätt plats på maskinen enligt figuren.

► Fig.7

### Montering eller demontering av sprängskydd (för rondell med försänkt navrondell, lamellslipskiva, flexibel rondell, skivstålborste/kapskiva, diamantskiva)

**⚠ VARNING:** När en sliprondell med försänkt nav, lamellslipskiva, flexibel rondell eller skivstålborste används måste sprängskyddet monteras på maskinen så att den slutna sidan alltid är vänd mot användaren.

**⚠ VARNING:** Vid användning av en kap-/diamantskiva ska du vara noga med att endast använda det speciella sprängskydd som är avsett för användning tillsammans med kapskivor.

(I vissa europeiska länder kan det vanliga sprängskyddet användas tillsammans med diamantskivan. Följ föreskrifterna i ditt land.)

### För maskin med sprängskydd och låsskruv

Montera sprängskyddet så att de utskjutande delarna på sprängskyddets band passar in i uttagen på lagerhuset. Vrid sedan sprängskyddet så att det skyddar användaren i arbetet med maskinen. Dra åt skruven ordentligt. Gör på omvänt sätt för att ta bort sprängskyddet.

► Fig.8: 1. Sprängskydd 2. Lagerhus 3. Skruv

### För maskin med sprängskydd och klämspak

Ta bort skruven och dra sedan spaken i pilens riktning. Montera sprängskyddet så att de utskjutande delarna på sprängskyddets band passar in i uttagen på lagerhuset. Vrid sedan sprängskyddet så att det skyddar användaren i arbetet med maskinen.

► Fig.9: 1. Sprängskydd 2. Lagerhus 3. Skruv 4. Spärr

Dra spaken i pilens riktning. Fäst sedan sprängskyddet genom att dra åt skruven. Dra åt skruven ordentligt. Sprängskyddets inställningsvinkel kan justeras med reglaget.

► Fig.10: 1. Skruv 2. Spärr

Gör på omvänt sätt för att ta bort sprängskyddet.

## Montera eller ta bort sliprondell med försänkt nav eller lamellslipskiva

*Valfria tillbehör*

**⚠ VARNING:** När en sliprondell med försänkt nav eller lamellslipskiva används, måste sprängskyddet monteras på maskinen så att den slutna sidan alltid är vänd mot användaren.

**⚠ FÖRSIKTIGT:** Se till att den monterade delen av den inre flänsen passar perfekt in i den inre diametern av den försänkta navrondellen/lamellslipskivan. Montering av den inre flänsen på fel sida kan leda till farliga vibrationer.

Montera den inre flänsen på spindeln. Se till att den buktade delen av den inre flänsen monteras på den raka delen längst ned på spindeln. Passa in den försänkta navrondellen/lamellslipskivan på den inre flänsen och skruva på låsmuttern på spindeln.

► Fig.11: 1. Låsmutter 2. Försänkt navrondell 3. Inre fläns 4. Monteringsdel

Tryck in spindellåset ordentligt för att dra fast låsmuttern så att spindeln inte kan rotera. Använd sedan tappnyckeln för att dra åt ytterligare.

► Fig.12: 1. Tappnyckel för låsmutter 2. Spindellås  
Gör på omvänt sätt för att ta bort rondellen.

## Montera eller ta bort flexibel rondell

*Valfria tillbehör*

**⚠ VARNING:** Använd alltid det medföljande skyddet när en flexibel rondell är monterad på maskinen. Skivan kan splittras under användningen och skyddet minskar risken för personskador.

► Fig.13: 1. Låsmutter 2. Flexibel rondell 3. Stödplatta 4. Inre fläns

Följ anvisningarna för försänkt navrondell, men använd även en stödplatta över skivan. Se monteringssekvensen på tillbehörssidan i denna bruksanvisning.

## Montera eller ta bort sliprondell

*Valfria tillbehör*

**OBS:** Använd endast slipningstillbehör som specificeras i denna bruksanvisning. Dessa måste köpas separat.

### För modell med 100 mm

► Fig.14: 1. Låsmutter för slipning 2. Sliprondell 3. Gummidyne 4. Inre fläns

1. Montera den inre flänsen på spindeln.
2. Fäst gummidynan på spindeln.
3. Passa in rondellen över gummidynan och skruva fast låsmuttern för slipning på spindeln.
4. Håll i spindeln med spindellåset och dra åt låsmuttern för slipning ordentligt med tappnyckeln.

Följ monteringsanvisningarna i omvänd ordning för att ta bort rondellen.

## För modell med 115 mm/125 mm

- **Fig.15:** 1. Låsmutter för slipning 2. Sliprondell  
3. Gummidyndyn

1. Fäst gummidyndynan på spindeln.
2. Passa in rondellen över gummidyndynan och skruva fast låsmuttern för slipning på spindeln.
3. Håll i spindeln med spindellåset och dra åt låsmuttern för slipning ordentligt med tappnyckeln.

Följ monteringsanvisningarna i omvänd ordning för att ta bort rondellen.

## ANVÄNDNING

**⚠ VARNING:** Tänk på att aldrig tvinga maskinen. Maskinens vikt ska utgöra ett tillräckligt tryck. Tvång eller överdrivet tryck kan resultera i farliga rondellbrott.

**⚠ VARNING:** Byt ALLTID ut rondellen om den har tappats under slipning.

**⚠ VARNING:** Slå ALDRIG med rondellen eller skivan på arbetsstycket.

**⚠ VARNING:** Undvik att studsas eller hackas med rondeller, i synnerhet i närheten av hörn, skarpa kanter osv. Det är lätt att i dessa situationer förlora kontrollen över maskinen så att den kastas bakåt.

**⚠ VARNING:** Använd ALDRIG maskinen med sågklingor avsedda för trä eller andra sågblad. Att använda sådana klingor i slipmaskiner innebär stor risk för bakåtkast som kan förorsaka personsador.

**⚠ FÖRSIKTIGT:** Starta aldrig maskinen när denna är i kontakt med arbetsstycket. Det kan orsaka personsador.

**⚠ FÖRSIKTIGT:** Använd alltid skyddsglasögon eller visir under arbetet.

**⚠ FÖRSIKTIGT:** När du är klar med arbetet ska du vänta tills rondellen stannat helt innan du lägger maskinen åt sidan.

**⚠ FÖRSIKTIGT:** Håll ALLTID maskinen i ett fast grepp med ena handen på huset och den andra på sidohandtaget.

## Slipning av trä och metall

- **Fig.16**

Starta maskinen och för rondellen eller skivan mot arbetsstycket.

I allmänhet är det lämpligt att hålla kanten på skivan/rondellen i ungefär 15° vinkel mot arbetsstycket.

Under inkörning av en ny skiva/rondell ska slipmaskinen inte föras i en framåtriktning eftersom den då kan köra fast i arbetsstycket. När kanten på skivan/rondellen har rundats av kan den användas i båda riktningarna (framåt och bakåt).

## Användning av kap-/diamantskiva

### Valfria tillbehör

**⚠ VARNING:** Vid användning av en kap-/diamantskiva ska du vara noga med att endast använda det speciella sprängskydd som är avsett för användning tillsammans med kapskivor.

(I vissa europeiska länder kan det vanliga sprängskyddet användas tillsammans med diamantskivan. Följ föreskrifterna i ditt land.)

**⚠ VARNING:** Använd ALDRIG kapskivor för sidoslipning.

**⚠ VARNING:** "Pressa" inte skivan eller utsätt den för överdrivet tryck. Försök inte att göra ett alltför stort kapdjup. Överbelastning av skivan ökar trycket och risken för att skivan vrids eller fastnar i skåret vilket kan orsaka bakåtkast, sprucken skiva och överhettad motor.

**⚠ VARNING:** Starta inte skärningen med maskinen i arbetsstycket. Låt skivan komma upp i full hastighet och för den försiktigt in i skåret genom att föra maskinen framåt över arbetsstyckets yta. Kapskivan kan fastna, vandra uppåt eller kastas bakåt om elverktyget startas om i arbetsstycket.

**⚠ VARNING:** Under skärningen får skivans vinkel aldrig ändras. Sidotryck på kapskivan (som vid slipning) medför att skivan spricker och sprängs, vilket kan leda till svåra personsador.

**⚠ VARNING:** En diamantskiva ska arbetas vinkelrätt mot det material som ska kapas.

- **Fig.17:** 1. Låsmutter 2. Kap-/diamantskiva 3. Inre fläns 4. Sprängskydd för kap-/diamantskiva

Följ anvisningarna för den försänkta navrondellen för montering.

Riktningen för att montera låsmuttern och den inre flänsen varierar beroende på skivans typ och tjocklek.

Se följande figurer.

## För modell med 100 mm

När du monterar kapskivan:

- **Fig.18:** 1. Låsmutter 2. Kapskiva (tunnare än 4 mm)  
3. Kapskiva (4 mm eller tjockare) 4. Inre fläns

När du monterar diamantskivan:

- **Fig.19:** 1. Låsmutter 2. Diamantskiva (tunnare än 4 mm)  
3. Diamantskiva (4 mm eller tjockare)  
4. Inre fläns

## För modell med 115 mm/125 mm

När du monterar kapskivan:

- **Fig.20:** 1. Låsmutter 2. Kapskiva (tunnare än 4 mm)  
3. Kapskiva (4 mm eller tjockare) 4. Inre fläns

När du monterar diamantskivan:

- **Fig.21:** 1. Låsmutter 2. Diamantskiva (tunnare än 4 mm)  
3. Diamantskiva (4 mm eller tjockare)  
4. Inre fläns

## Användning av den skålformade stålborsten

### Valfria tillbehör

**⚠ FÖRSIKTIGT:** Kontrollera hur borsten fungerar genom att köra maskinen utan belastning och försäkra dig om att ingen finns framför eller i linje med borsten.

**⚠ FÖRSIKTIGT:** Använd inte en borste som är skadad eller obalanserad. Användning av en skadad borste kan öka risken för skador på grund av kontakt med trasiga borstrådar.

► **Fig.22:** 1. Skålformad stålborste

Ta ut batterikassetten ur verktyget och ställ det upp och ned för att underlätta att komma åt spindeln.

Ta bort eventuella tillbehör på spindeln. Trä den skålformade stålborsten på spindeln och dra åt med medföljande nyckel.

**OBSERVERA:** Undvik att använda för mycket tryck vilket gör att trådarna böjs för mycket vid användning av borsten. Det kan leda till att borsten förbrukas i förtid.

## Användning av skivstålborsten

### Valfria tillbehör

**⚠ FÖRSIKTIGT:** Kontrollera hur skivstålborsten fungerar genom att köra maskinen utan belastning och försäkra dig om att ingen finns framför eller i linje med skivstålborsten.

**⚠ FÖRSIKTIGT:** Använd inte en skivstålborste som är skadad eller obalanserad. Användning av en skadad skivstålborste kan öka risken för skador på grund av kontakt med trasiga borstrådar.

**⚠ FÖRSIKTIGT:** Använd ALLTID skydd tillsammans med skivstålborstar och kontrollera att skivdiametern passar innanför skyddet. Skivan kan splittras under användningen och skyddet minskar risken för personskador.

► **Fig.23:** 1. Skivstålborste

Ta ut batterikassetten ur verktyget och ställ det upp och ned för att underlätta att komma åt spindeln.

Ta bort eventuella tillbehör på spindeln. Montera skivstålborsten på spindeln och dra åt med nycklarna.

**OBSERVERA:** Undvik att använda för mycket tryck vilket gör att trådarna böjs för mycket vid användning av skivstålborsten. Det kan leda till att borsten förbrukas i förtid.

## UNDERHÅLL

**⚠ FÖRSIKTIGT:** Se alltid till att maskinen är avstängd och batterikassetten borttagen innan inspektion eller underhåll utförs.

**OBSERVERA:** Använd inte bensin, förtunningsmedel, alkohol eller liknande. Missfärgning, deformation eller sprickor kan uppstå.

## Rengöring av ventilationsöppningar

Håll maskinen och luftventilerna rena. Rengör maskinens ventiler regelbundet eller så snart ventilationen försämras.

► **Fig.24:** 1. Utblås 2. Inlopp

Ta bort dammskyddet från ventilationsinloppet och rengör det för jämn luftcirkulation.

► **Fig.25:** 1. Dammkåpa

**OBS:** Rengör dammskyddet när det är igensatt med damm eller främmande material. Om du fortsätter att använda maskinen med ett igensatt dammskydd kan den skadas.



# VALFRIA TILLBEHÖR

**⚠ FÖRSIKTIGT:** Följande tillbehör eller tillsatser rekommenderas för användning med den Makita-maskin som denna bruksanvisning avser. Om andra tillbehör eller tillsatser används kan det uppstå risk för personskador. Använd endast tillbehören eller tillsatserna för de syften de är avsedda för.

Kontakta ditt lokala Makita servicecenter om du behöver ytterligare information om dessa tillbehör.

- Makitas originalbatteri och -laddare

► Fig.26

-	Modell med 100 mm	Modell med 115 mm	Modell med 125 mm
1	Grepp 36		
2	Sprängskydd (för slipskiva)		
3	Inre fläns		
4	Försänkt navrondell/lamellskiva		
5	Låsmutter		
6	Stödplatta		
7	Flexibel rondell		
8	Inre fläns och gummiplatta 76	Gummiplatta 100	Gummiplatta 115
9	Sliprondell		
10	Låsmutter för slipning		
11	Skivstålborste		
12	Skålformad stålborste		
13	Sprängskydd (för kapskiva) *1		
14	Kap-/diamantskiva		
-	Tappnyckel för låsmutter		

**OBS:** \*1 I vissa europeiska länder kan det vanliga sprängskyddet användas tillsammans med diamantskivan istället för det speciella sprängskyddet som täcker båda sidorna av skivan. Följ föreskrifterna i ditt land.

**OBS:** Några av tillbehören i listan kan vara inkluderade i maskinpaketet som standardtillbehör. De kan variera mellan olika länder.

## TEKNISKE DATA

Modell:		DGA408	DGA458	DGA508
Hjuldiameter		100 mm (4")	115 mm (4-1/2")	125 mm (5")
Maks. hjultykkelse		6,4 mm		
Spindelgjenger		M10	M14 eller 5/8" (landsesifikk)	
Angitt hastighet (n)		8 500 min <sup>-1</sup>		
Total lengde	Med batteri BL1815N, BL1820, BL1820B	348 mm		
	Med batteri BL1830, BL1830B, BL1840, BL1840B, BL1850, BL1850B, BL1860B	362 mm		
Nettvekt	Med batteri BL1815N, BL1820, BL1820B	2,2 kg	2,4 kg	
	Med batteri BL1830, BL1830B, BL1840, BL1840B, BL1850, BL1850B, BL1860B	2,5 kg	2,6 kg	
Nominell spenning		DC 18 V		

- På grunn av vårt kontinuerlige forsknings- og utviklingsprogram kan spesifikasjonene som oppgis i dette dokumentet endres uten varsel.
- Spesifikasjoner og batteriinnsetts kan variere fra land til land.
- Vekt, med batteriinnsetts, i henhold til EPTA-prosedyre 01/2003

### Riktig bruk

Maskinen er beregnet på sliping, pussing og kutting av metall og steinmaterialer uten bruk av vann.

### Støy

Typisk A-vektet lydtrykknivå er bestemt i henhold til EN60745:

#### Modell DGA458

Lydtrykknivå ( $L_{pA}$ ): 80 dB (A)

Usikkerhet (K): 3 dB (A)

#### Modell DGA508

Lydtrykknivå ( $L_{pA}$ ): 79 dB (A)

Usikkerhet (K): 3 dB (A)

Støynivået under arbeid kan overskride 80 dB (A).

**ADVARSEL:** Bruk hørselsvern.

### Vibrasjoner

Den totale vibrasjonsverdien (triaksial vektorsum) bestemt i henhold EN60745:

#### Modell DGA458

Arbeidsmodus: overflatesliping med normalt sidegrep

Genererte vibrasjoner ( $a_{h,AG}$ ): 5,5 m/s<sup>2</sup>

Usikkerhet (K): 1,5 m/s<sup>2</sup>

Arbeidsmodus: overflatesliping med vibrasjonssikkert sidegrep

Genererte vibrasjoner ( $a_{h,AG}$ ): 5,0 m/s<sup>2</sup>

Usikkerhet (K): 1,5 m/s<sup>2</sup>

Arbeidsmodus: plansliping med normal sidegrep

Genererte vibrasjoner ( $a_{h,DS}$ ): 2,5 m/s<sup>2</sup> eller mindre

Usikkerhet (K): 1,5 m/s<sup>2</sup>

Arbeidsmodus: plansliping med vibrasjonssikkert sidegrep

Genererte vibrasjoner ( $a_{h,DS}$ ): 2,5 m/s<sup>2</sup> eller mindre

Usikkerhet (K): 1,5 m/s<sup>2</sup>

#### Modell DGA508

Arbeidsmodus: overflatesliping med normalt sidegrep

Genererte vibrasjoner ( $a_{h,AG}$ ): 6,0 m/s<sup>2</sup>

Usikkerhet (K): 1,5 m/s<sup>2</sup>

Arbeidsmodus: overflatesliping med vibrasjonssikkert sidegrep

Genererte vibrasjoner ( $a_{h,AG}$ ): 5,5 m/s<sup>2</sup>

Usikkerhet (K): 1,5 m/s<sup>2</sup>

Arbeidsmodus: plansliping med normal sidegrep

Genererte vibrasjoner ( $a_{h,DS}$ ): 2,5 m/s<sup>2</sup> eller mindre

Usikkerhet (K): 1,5 m/s<sup>2</sup>

Arbeidsmodus: plansliping med vibrasjonssikkert sidegrep

Genererte vibrasjoner ( $a_{h,DS}$ ): 2,5 m/s<sup>2</sup> eller mindre

Usikkerhet (K): 1,5 m/s<sup>2</sup>

**MERK:** Den angitte verdien for de genererte vibrasjonene er målt i samsvar med standardtestmetoden og kan brukes til å sammenlikne et verktøy med et annet.

**MERK:** Den angitte verdien for de genererte vibrasjonene kan også brukes til en foreløpig vurdering av eksponeringen.

**⚠ ADVARSEL:** De genererte vibrasjonene ved faktisk bruk av elektroverktøyet kan avvike fra den angitte vibrasjonsverdien, avhengig av hvordan verktøyet brukes.

**⚠ ADVARSEL:** Sørg for å identifisere vernetiltak for å beskytte operatøren, som er basert på et estimat av eksponeringen under de faktiske bruksforholdene (idet det tas hensyn til alle deler av driftssyklusen, dvs. hvor lenge verktøyet er slått av, hvor lenge det går på tomgang og hvor lenge startbryteren faktisk holdes trykket).

**⚠ ADVARSEL:** Den oppgitte verdien for genererte vibrasjoner brukes for hovedbruksområdene for elektroverktøyet. Hvis verktøyet brukes til andre formål, kan verdien for de genererte vibrasjonene være en annen.

## EF-samsvarserklæring

### Gjelder kun for land i Europa

Makita erklærer at følgende maskin(er):

Maskinens bruksområde: Batteridrevet vinkelsliper

Modellnr./type: DGA458, DGA508

Samsvarer med følgende europeiske direktiver:

2006/42/EC

De er produsert i henhold til følgende standarder eller standardiserte dokumenter: EN60745

Den tekniske filen i samsvar med 2006/42/EC er tilgjengelig fra:

Makita, Jan-Baptist Vinkstraat 2, 3070, Belgia

11.8.2015

Yasushi Fukaya

Direktør

Makita, Jan-Baptist Vinkstraat 2, 3070, Belgia

## Generelle advarsler angående sikkerhet for elektroverktøy

**⚠ ADVARSEL:** Les alle sikkerhetsadvarslene og alle instruksjonene. Hvis du ikke følger alle advarslene og instruksjonene som er oppført nedenfor, kan det føre til elektriske støt, brann og/eller alvorlige helseskader.

## Oppbevar alle advarsler og instruksjoner for senere bruk.

Uttrykket «elektrisk verktøy» i advarslene refererer både til elektriske verktøy (med ledning) tilkoblet strømmenett, og batteridrevne verktøy (uten ledning).

## Sikkerhetsadvarsler for trådløs slipeskive

Vanlige sikkerhetsadvarsler for sliping, pussing, stålborsting og kapping :

1. Dette elektriske verktøyet er beregnet for sliping, pussing, stålborsting og kapping. Les alle sikkerhetsadvarsler, instruksjoner, illustrasjoner og spesifikasjoner som følger med

dette elektroverktøyet. Hvis ikke alle instruksjonene nedenfor følges, kan det forekomme elektrisk støt, brann og/eller alvorlig skade.

2. Polering bør ikke utføres med dette verktøyet. Bruk av verktøyet til noe annet enn det er beregnet for, kan medføre fare og forårsake personskade.
3. Ikke bruk tilbehør som ikke er spesielt beregnet og anbefalt av verktøyprodusenten. Det at tilbehøret kan monteres på verktøyet, betyr ikke at det er trygt å bruke.
4. Angitt hastighet for tilbehøret må være minst like høy som største angitte hastighet på elektroverktøyet. Tilbehør som kjøres med større hastighet enn det som er angitt, kan gå i stykker og slynges ut.
5. Den ytre diameteren og tykkelsen på tilbehøret må ligge innenfor den angitte kapasiteten for elektroverktøyet. Tilbehør i feil størrelse kan ikke sikres eller kontrolleres fullgodt.
6. Gjenget montering av tilbehør må samsvare med gjengen på sliperen. For tilbehør montert med flenser, må spindelhullet på tilbehøret passe til med diameteren på flensen. Tilbehør som ikke passer til monteringsmekanismen på verktøyet vil komme ut av balanse, vibrere sterkt og kan forårsake at du mister kontrollen.
7. Ikke bruk skadet tilbehør. Før bruk må du undersøke om tilbehør som slipeskiver har hakk eller sprekker, om bakrondeller har sprekker eller er slitt og om stålborster har løse eller ødelagte tråder. Hvis det elektriske verktøyet eller tilbehøret mistes, må du undersøke om det har oppstått skade og eventuelt skifte det ut med uskadd tilbehør. Når et tilbehør er undersøkt og montert, skal du plassere deg selv og andre utenfor tilbehørets rotasjonsplan og kjøre verktøyet på maksimal hastighet, uten belastning, i ett minutt. Skadd tilbehør vil vanligvis gå i stykker i løpet av en slik test.
8. Bruk personlig verneutstyr. Avhengig av bruksområdet, må du bruke visir eller vernebriller. Bruk etter behov støvmaske, hørselsvern, hansker og beskyttelsesdekke som kan stoppe små slipepartikler eller fragmenter fra arbeidsstykket. Øyevernet må kunne stoppe flygende biter som oppstår under ulike operasjoner. Støvmasken eller åndedrettsvernet må kunne filtrere ut partikler som oppstår under arbeidet. Kraftig lyd over lengre tid kan forårsake redusert hørsel.
9. Hold andre på trygg avstand fra arbeidsområdet. Alle som beveger seg inn i arbeidsområdet må bruke personlig verneutstyr. Fragmenter fra arbeidsstykket eller fra skadet tilbehør kan slynges ut og forårsake skade utenfor det nære arbeidsområdet.
10. Hold maskinen kun i det isolerte håndtaket, når skjæreverktøyet kan komme i kontakt med skjulte ledninger under arbeidet. Kontakt med en strømførende ledning kan føre til at metalldelene på det elektriske verktøyet også blir strømførende og kan gi brukeren elektrisk støt.

11. **Ikke legg ned elektroverktøyet før tilbehøret har stoppet helt.** Det roterende tilbehøret kan få feste i overflaten og trekke elektroverktøyet ut av kontroll.
12. **Ikke kjør elektroverktøyet når du bærer det langs siden.** Utisiktet kontakt med roterende tilbehør kan føre til at det fester i klærne og trekkes inn mot kroppen.
13. **Rengjør verktøyets luftventiler regelmessig.** Motorens vifte trekker støv inn i verktøyhuset og mye oppsamlet metallstøv kan medføre elektrisk fare.
14. **Ikke bruk elektroverktøyet nær brennbare materialer.** Gnister kan antenne slike materialer.
15. **Ikke bruk tilbehør som krever kjølevæske.** Bruk av vann eller andre kjølevæsker kan føre til elektrisk støt.
3. **Vernet må være ordentlig festet til verktøyet og plasseres slik at det gir størst mulig sikkerhet og slik at minst mulig av skiven vender mot brukeren.** Vernet bidrar til å beskytte brukeren mot brukne skivefragmenter og utisiktet kontakt med skiven og mot gnister som kan antenne klær.
4. **Skiver må bare brukes slik det er anbefalt. For eksempel: Ikke slipp med siden av en kappeskive.** Kappeskiver for pussing er bare beregnet for periferisk pussing. Sidekrefter mot disse skivene kan knuse dem.
5. **Bruk alltid uskadede skiveflenser med riktig størrelse og form for skiven du har valgt.** Riktige skiveflenser støtter skiven og reduserer muligheten for skivebrudd. Skiveflenser for kappeskiver kan være forskjellige fra skiveflenser for slipeskiver.
6. **Ikke bruk utslitte skiver fra større elektroverktøy.** Skiver fra større elektroverktøy passer ikke for den høyere hastigheten til mindre verktøy og kan sprekke.

### Tilbakeslag og relaterte advarsler

Tilbakeslag er en plutselig reaksjon på en klemt eller fastsittende skive, bakrondell, børste eller annet tilbehør. Fastklemming forårsaker plutselig stopp av det roterende tilbehøret, noe som i sin tur gjør at det ukontrollerbare elektroverktøyet kastes i motsatt retning av tilbehørets rotasjonsretning ved fastklemmingspunktet. Hvis for eksempel en slipeskive klemmes eller hektes fast i arbeidsemnet, kan kanten på skiven som er fastklemt, grave seg inn i overflaten på materialet og føre til at skiven graver seg ut eller slås ut. Skiven kan enten sprette mot eller vekk fra operatøren, avhengig av rotasjonsretningen på skiven når den klemmes fast. Slipeskiver kan også knekke under slike forhold. Tilbakeslag er et resultat av at elektroverktøyet misbrukes og/eller brukes på feil måte eller under feil forhold, og kan unngås ved å ta de nødvendige forholdsreglene som beskrives under.

1. **Hold godt fast i verktøyet og plasser kroppen og armen din slik at du kan motstå kreftene i et tilbakeslag. Bruk alltid hjelpehåndtak når det følger med, for å få best mulig kontroll over tilbakeslag eller dreiemomentreaksjonen ved oppstart.** Operatøren kan kontrollere dreiemomentreaksjonen eller tilbakeslagskreftene hvis de riktige forholdsreglene tas.
2. **Legg aldri hånden nær det roterende tilbehøret.** Tilbehøret kan slå tilbake over hånden.
3. **Ikke plasser kroppen i det området elektroverktøyet kan slå tilbake i.** Tilbakeslag gjør at verktøyet slås i motsatt retning av skivens bevegelse når den blir sittende fast.
4. **Vær spesielt forsiktig under arbeid med hjørner, skarpe kanter osv. Unngå å la tilbehøret sprette eller hugge.** Hjørner, skarpe kanter eller støt har en tendens til å klemme fast det roterende tilbehøret og forårsake tap av kontrollen eller tilbakeslag.
5. **Ikke monter et sagkjedeblad for treskjæring eller et tannet sagblad.** Slike blader gir ofte tilbakeslag og mangel på kontroll.

### Spesifikke sikkerhetsadvarsler for sliping og kapping:

1. **Bruk bare skiver som er anbefalt for elektroverktøyet.** Skiver som ikke er beregnet for verktøyet, kan ikke sikres godt nok og er utrygge.
2. **Slipeoverflaten til skivene med forsenket nav må monteres under planet til vernet.** En feilmontert skive som stikker gjennom planet for vernet kan ikke tilstrekkelig beskyttes.

### Ekstra sikkerhetsadvarsler for kapping:

1. **Ikke «klem fast» den avskårne skiven eller legg sterkt press på den. Ikke forsøk å kutte svært dypt.** For mye press på skiven øker belastningen og sjansen for at skiven vrir eller setter seg fast under kutting, samt at det øker sjansen for tilbakeslag eller at skiven blir ødelagt.
2. **Ikke plasser deg på linje med og bak den roterende skiven.** Når skiven beveger seg bort fra deg ved bruksstedet, kan et mulig tilbakeslag drive den roterende skiven og verktøyet rett mot deg.
3. **Når skiven fastklemmes eller du ønsker å avbryte kappingen, må du slå av verktøyet og holde det i ro til skiven har stoppet helt. Du må aldri forsøke å trekke kuttesskiven ut av kuttet mens skiven er i bevegelse. Det kan føre til tilbakeslag.** Undersøk årsaken til at skiven setter seg fast, og rett opp feilen.
4. **Ikke start kappingen på nytt mens skiven står i arbeidsemnet. La skiven få full hastighet og sett den forsiktig i kuttet.** Skiven kan sette seg fast, bli trukket oppover eller gi tilbakeslag hvis det elektriske verktøyet startes på nytt i arbeidsemnet.
5. **Støtt opp plater eller store arbeidsemner for å minimere muligheten for fastklemming eller tilbakeslag.** Store arbeidsemner har en tendens til å synke under sin egen vekt. Det må plasseres støtter under arbeidsemnet nært kuttlinjen og nært kanten på arbeidsemnet på begge sider av skiven.
6. **Vær ekstra forsiktig når du lager «hull» i eksisterende vegger eller andre områder uten innsyn.** Skiven som stikker ut, kan kutte gass- eller vannrør, elektriske ledninger eller objekter som kan forårsake tilbakeslag.

### Spesielle sikkerhetsadvarsler for pussing:

1. **Ikke bruk alt for stort smergelpapir.** Følg produsentens anbefalinger når du velger pussepapir. Stort papir som stikker utenfor pusseputen, kan forårsake oppriving og føre til slitasje eller tilbakeslag på skiven.

### Spesielle sikkerhetsadvarsler for stålborsting:

1. **Vær oppmerksom på at metalltråder kan løsne fra børsten også ved vanlig bruk. Ikke overbelast metalltrådene ved å legge ekstra trykk på børsten.** Metalltrådene kan lett trenge gjennom tynne klær og hud.

2. Hvis det anbefales bruk av vern ved stålborsting, må du all unngå kontakt mellom stålborsteskiven eller børsten og vernet. Stålskiver eller børster kan utvide seg på grunn av arbeidsbelastningen og sentrifugalkreftene.

#### Ekstra sikkerhetsadvarsler:

1. Når du bruker slipeskiver med forsenket nav, må du passe på bare å bruke glassfiberarmerte skiver.
2. **BRUK ALDRI** denne vinkelsliperen med slipeskiver av typen Stone Cup. Denne vinkelsliperen er ikke konstruert for denne typen hjul, og bruk av et slikt produkt kan resultere i alvorlige helseskader.
3. Vær forsiktig så du ikke ødelegger spindelen, flensen (særlig monteringsflaten) eller låsemutteren. Skade på disse delene kan resultere i at skiven bryter.
4. Forviss deg om at skiven ikke har kontakt med arbeidsstykket før startbryteren er slått på.
5. Før du begynner å bruke maskinen på et arbeidsstykke, bør du la den gå en liten stund. Se etter vibrasjoner eller vingling som kan tyde på at skiven er dårlig balansert.
6. Bruk den angitte overflaten av skiven til å utføre slipingen.
7. Ikke gå fra verktøyet mens det er i gang. Verktøyet må bare brukes mens operatøren holder det i hendene.
8. Ikke berør arbeidsstykket umiddelbart etter bruk. Det kan være ekstremt varmt og kan gi deg brannskader.
9. Følg produsentens anvisninger for korrekt montering og bruk av skiver. Håndter og oppbevar skivene forsiktig.
10. Ikke bruk separate reduksjonsbøssinger eller adaptere for å tilpasse slipeskiver med store hull.
11. Bruk bare flenser som er spesifisert for dette verktøyet.
12. For maskiner som er beregnet på å bli styrt med gjengehullsskive, må du forvise deg om at gjengen i hullet er lang nok til å passe til spindellengden.
13. Forviss deg om at arbeidsstykket står støtt.
14. Ta hensyn til at skiven fortsetter å rotere etter at maskinen er slått av.
15. Hvis arbeidsplassen er ekstremt varm og fuktig, eller svært forurenset med elektrisk ledende støv, må du bruke en kortslutningsbryter (30 mA) for å ivareta operatørens sikkerhet.
16. Ikke bruk maskinen på materialer som inneholder asbest.
17. Når du bruker kappeskiven, må du alltid bruke beskyttelseskappen med støvoppsamler, slik lokale bestemmelser krever.
18. Kappeskiver må ikke utsettes for trykk fra siden.
19. Ikke bruk tekstilhansker når du bruker maskinen. Fibre fra tekstilhanskene kan komme inn i maskinen noe som kan føre til brudd i maskinen.

## TA VARE PÅ DISSE INSTRUKSENE.

**⚠ADVARSEL:** IKKE LA hensynet til hva som er "behagelig" eller det faktum at du kjenner produktet godt (etter mange gangers bruk) gjøre deg mindre oppmerksom på sikkerhetsreglene for bruken av det aktuelle produktet. Ved MISBRUK eller hvis ikke sikkerhetsreglene i denne bruksanvisningen følges, kan det oppstå alvorlig personskade.

## Viktige sikkerhetsanvisninger for batteriinnsetts

1. Før du begynner å bruke batteriet, må du lese alle anvisninger og forsiktighetsregler på (1) batteriladere, (2) batteriet og (3) det produktet batteriet skal brukes i.
2. Ikke ta fra hverandre batteriet.
3. Hvis driftstiden er blitt vesentlig kortere, må du omgående slutte å bruke maskinen. Hvis ikke kan resultatet bli overoppheting, mulige forbrenninger eller til og med en eksplosjon.
4. Hvis du får elektrolytt i øynene, må du skylle dem med store mengder rennende vann og oppsøke lege med én gang. Denne typen uhell kan føre til varig blindhet.
5. Ikke kortslett batteriet:
  - (1) De kan være ekstremt varme og du kan brenne deg.
  - (2) Ikke lagre batteriet i samme beholder som andre metallgjenstander, som for eksempel spiker, mynter osv.
  - (3) Ikke la batteriet komme i kontakt med vann eller regn.En kortslutning av batteriet kan føre til et kraftig strømstøt, overoppheting, mulige forbrenninger og til og med til at batteriet går i stykker.
6. Ikke lagre maskinen og batteriet på steder hvor temperaturen kan komme opp i eller overskride 50 °C.
7. Ikke sett fyr på batteriet, ikke engang om det er sterkt skadet eller helt utslitt. Batteriet kan eksplodere hvis det begynner å brenne.
8. Vær forsiktig så du ikke mister batteriet eller utsetter det for slag.
9. Ikke bruk batterier som er skadet.
10. Lithium-ion-batteriene som medfølger er gjenstand for krav om spesialavfall. For kommersiell transport, f.eks av tredjeparter eller speditorer, må spesielle krav om pakking og merking følges. Før varen blir sendt, må du forhøre deg med en ekspert på farlig materiale. Ta også hensyn til muligheten for mer detaljerte nasjonale bestemmelser. Bruk teip eller maskeringsteip for å skjule åpne kontakter og pakk inn batteriet på en slik måte at den ikke kan bevege seg rundt i emballasjen.
11. Følg lokale bestemmelser for avhending av batterier.

## TA VARE PÅ DISSE INSTRUKSENE.

**⚠ ADVARSEL:** Bruk kun originale Makita-batterier. Bruk av batterier som har endret seg, eller som ikke er originale Makita-batterier, kan føre til at batteriet sprekker og forårsaker brann, personskader og andre skader. Det vil også ugyldiggjøre garantien for Makita-verktøyet og -laderen.

## Tips for å opprettholde maksimal batterilevetid

1. Lad batteriinnsetsen før den er helt utladet. Stopp alltid driften av verktøyet og lad batteriinnsetsen når du merker at effekten reduseres.
2. Lad aldri en batteriinnsets som er fulladet. Overopplading forkorter batteriets levetid.
3. Lad batteriet i romtemperatur ved 10 °C - 40 °C. Et varmt batteri må kjøles ned før lading.
4. Lad batteriet hvis det ikke har vært brukt på en lang stund (over seks måneder).

## FUNKSJONSBEKRIVELSE

**⚠ ADVARSEL:** Forviss deg alltid om at maskinen er slått av og batteriet tatt ut før du justerer maskinen eller kontrollerer dens mekaniske funksjoner.

### Sette inn eller ta ut batteri

**⚠ ADVARSEL:** Slå alltid av verktøyet før du setter inn eller fjerner batteriet.

**⚠ ADVARSEL:** Hold verktøyet og batteripatronen i et fast grep når du monterer eller fjerner batteripatronen. Hvis du ikke holder verktøyet og batteripatronen godt fast, kan du miste grepet, og dette kan føre til skader på verktøyet og batteripatronen samt personskader.

► **Fig.1:** 1. Rød indikator 2. Knapp 3. Batteriinnsets

Før å ta ut batteriet må du skyve på knappen foran på batteriet og trekke det ut.

Når du skal sette inn batteriet, må du plassere tungen på batteriet på linje med sporet i huset og skyve batteriet på plass. Skyv det helt inn til det går i inngrep med et lite klikk. Hvis du kan se den røde anviseren på oversiden av knappen, er det ikke fullstendig låst.

**⚠ ADVARSEL:** Batteriet må alltid settes helt inn, så langt at den røde anviseren ikke lenger er synlig. Hvis dette ikke gjøres, kan batteriet komme til å falle ut av maskinen og skade deg eller andre som oppholder seg i nærheten.

**⚠ ADVARSEL:** Ikke bruk makt når du setter i batteriet. Hvis batteriet ikke glir lett inn, er det fordi det ikke settes inn på riktig måte.

## Indikere gjenværende batterikapasitet

**Kun for batterier med «B» sist i modellnummeret**

► **Fig.2:** 1. Indikatorlamper 2. Kontrollknapp

Trykk på sjekk-knappen på batteriet for vise gjenværende batterikapasitet. Indikatorlampene lyser i et par sekunder.

Indikatorlamper			Gjenværende batterinivå
Tent	Av	Blinker	
■ ■ ■ ■			75 % til 100 %
■ ■ ■ □			50 % til 75 %
■ ■ □ □			25 % til 50 %
■ □ □ □			0 % til 25 %
▣ □ □ □			Lad batteriet.
■ ■ □ □			Batteriet kan ha en feil.
□ □ ■ ■			

**MERK:** Det angitte nivået kan avvike noe fra den faktiske kapasiteten alt etter bruksforholdene og den omgivende temperaturen.

## Indikere gjenværende batterikapasitet

**Landsspesifikk**

Når du slår på verktøyet, viser batteriindikatoren den gjenværende batterikapasiteten.

► **Fig.3:** 1. Batteriindikator

Gjenværende batterikapasitet vises i form av tabellen nedenfor.

Batteriindikatorstatus			Gjenværende batterikapasitet
På	Av	Blinker	
■ ■ ■ ■			50 % - 100 %
■ ■ ■ □			20 % - 50 %
■ ■ □ □			0 % - 20 %
▣ □ □ □			Lad batteriet

## Batterivernsystem for verktøy/ batteri

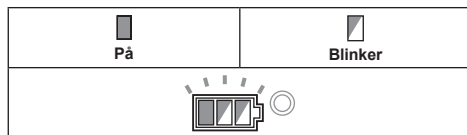
Verktøyet er utstyrt med et batterivernsystem for verktøy/batteri. Dette systemet slår automatisk av strømmen til motoren for å forlenge verktøyets og batteriets levetid. Verktøyet stopper automatisk under drift hvis verktøyet eller batteriet utsettes for en av følgende tilstander. Indikatorene lyser i noen tilfeller.

### Overlastsikring

Når verktøyet brukes på en måte som gjør at det bruker unormalt mye strøm, vil verktøyet stoppe, helt automatisk og uten forvarsel. I dette tilfellet må du slå av verktøyet og avslutte bruken som forårsaket at verktøyet ble overbelastet. Slå deretter verktøyet på for å starte det igjen.

### Overopphetingsvern

Når verktøyet blir overopphetet, stopper verktøyet automatisk, og batteriindikatoren viser følgende tilstand. I dette tilfellet lar du verktøyet avkjøles, før du starter verktøyet på nytt.



Hvis verktøyet ikke starter, kan batteriet være overbelastet. I så fall må du la batteriet kjøle seg ned, før du slår verktøyet på igjen.

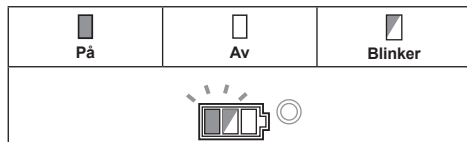
### Overutladningsvern

Når det blir batterikapasiteten er utilstrekkelig, stopper verktøyet automatisk. I så fall fjerner du batteriet fra verktøyet og lader det.

### Koble ut beskyttelseslåsen

Når beskyttelseslåsen kobles inn gjentatte ganger, låses verktøyet, og batteriindikatoren viser følgende tilstand.

Hvis dette skjer, vil ikke verktøyet starte, selv om det slås av og på. Beskyttelseslåsen kan kobles ut ved å ta ut batteriet, sette det i batteriladeren og vente til det er ferdig ladet.



### Spindellås

Trykk på spindellåsen for å forhindre spindelrotasjon når du monterer eller fjerner tilbehør.

► Fig.4: 1. Spindellås

**OBS: Du må aldri aktivere spindellåsen mens spindelen beveger seg.** Dette kan skade verktøyet.

## Bryterfunksjon

**⚠ ADVARSEL:** Før du setter batteriet i verktøyet, må du kontrollere at bryterspaken beveger seg riktig og går tilbake til posisjonen "AV" når den slippes.

**⚠ ADVARSEL:** Ikke trekk hardt i bryterspaken uten å trekke i av-sperreknappen. Dette kan få bryteren til å brekke.

For å hindre at bryterspaken trykkes ved et ulykkestilfelle er maskinen utstyrt med en av-sperreknapp. For å starte verktøyet må du trekke av-sperrehendelen mot operatøren og deretter trykke på bryteren. Du stanser verktøyet ved å slippe bryterspaken.

► Fig.5: 1. Av-sperreknapp 2. Bryterspaken

## Funksjon for automatisk hastighetsendring

► Fig.6: 1. Modusindikator

Modusindikatorstatus	Driftsmodus
	Modus for høy hastighet
	Modus for høyt dreiemoment

Dette verktøyet har en modus for høy hastighet og en modus for høyt dreiemoment. Verktøyet skifter driftsmodus avhengig av arbeidsbelastningen. Når modusindikatoren begynner å lyse under drift, er verktøyet i modus for høyt dreiemoment.

## Funksjon som forhindrer utilsiktet start

Selv om du setter batteriet mens du trekker i bryterspaken, starter ikke verktøyet.

For å starte verktøyet må du først frigjøre bryterspaken. Deretter trekker du i av-sperreknappen og til slutt bryterspaken.

## Elektronisk dreiemomentkontroll-funksjon

Verktøyet vil elektronisk oppdage situasjoner hvor skiven eller tilbehøret risikerer å sette seg fast. I dette tilfellet vil verktøyet automatisk slå seg av, for å unngå at spindelen fortsetter å rotere (det forhindrer ikke tilbakeslag).

For å starte verktøyet på nytt, må du først slå av verktøyet, fjerne årsaken til det plutselige rotasjonsfallet og deretter slå på verktøyet igjen.

## Mykstartfunksjon

Funksjonen for myk start reduserer reaksjonen ved start.

## Elektrisk brems

Den elektriske bremsen aktiveres når verktøyet slås av. Bremsen fungerer ikke dersom strømtilførselen kobles ut, ved for eksempel at batteriet tas ut ved en feil, med bryteren på.

# MONTERING

**⚠ ADVARSEL:** Forviss deg alltid om at maskinen er slått av og batteriet tatt ut før du justerer maskinen eller kontrollerer dens mekaniske funksjoner.

## Montere støttehåndtak (hjelpeshåndtak)

**⚠ ADVARSEL:** Forviss deg alltid om at støttehåndtaket er skikkelig montert før du tar maskinen i bruk.

Skru støttehåndtaket godt fast på maskinen i den stillingen som er vist på figuren.

► Fig.7

## Montere eller demontere beskyttelseskappen (for skive med forsenket nav, klaffskive, flex-skive, skivebørste/kappeskive, diamantskive)

**⚠ ADVARSEL:** Ved bruk av slipeskive med forsenket nav / klaffskive, flex-skive eller stål-børste, må skivebeskyttelsen settes på verktøyet slik at den lukkede siden av kappen vender mot operatøren.

**⚠ ADVARSEL:** Ved bruk av kappeskive/diamantskive må du forsikre deg om at du bare bruker den spesielle beskyttelseskappen som er beregnet for bruk med kappeskiver.

(I enkelte europeiske land kan det vanlige vernet brukes ved bruk av diamantskive. Følg lokale forskrifter.)

## For verktøy med låseskrue med beskyttelseskappe

Monter skivebeskyttelsen slik at fremspringet på skivebeskyttelsesbåndet er innrettet med hakket i lagerboksen. Drei deretter beskyttelseskappen til den står i en slik vinkel at den kan beskytte operatøren under arbeidet som skal utføres. Forviss deg om at du har trukket skruen godt til.

Fjern beskyttelseskappen ved å følge installeringsfremgangsmåten i motsatt rekkefølge.

► Fig.8: 1. Beskyttelseskappe 2. Lagerboks 3. Skru

## For verktøy med klemmespak med beskyttelseskappe

Løsne skruen og trekk spaken i pilretningen. Monter skivebeskyttelsen slik at fremspringet på skivebeskyttelsesbåndet er innrettet med hakket i lagerboksen. Drei deretter beskyttelseskappen til den står i en slik vinkel at den kan beskytte operatøren under arbeidet som skal utføres.

► Fig.9: 1. Beskyttelseskappe 2. Lagerboks 3. Skru 4. Spak

Trekk spaken i pilretningen. Deretter strammer du beskyttelseskappen ved å feste skruen. Forviss deg om at du har trukket skruen godt til. Innstillingsvinkelen på skivebeskyttelsen kan justeres med spaken.

► Fig.10: 1. Skru 2. Spak

Fjern beskyttelseskappen ved å følge installeringsfremgangsmåten i motsatt rekkefølge.

## Montere eller fjerne skive med nedsenket nav eller klaffskive

### Valgfritt tilbehør

**⚠ ADVARSEL:** Ved bruk av slipeskive med forsenket nav / klaffskive, må skivebeskyttelsen settes på verktøyet slik at den lukkede siden av kappen vender mot operatøren.

**⚠ ADVARSEL:** Sørg for at monteringsdelen av den indre flensen passer perfekt inn i den indre omkretsen til den nedsenkede navet / klaffskiven. Hvis den indre flensen monteres på feil side, kan det resultere i farlig vibrasjon.

Monter den indre flensen på spindelen.

Sørg for at du fester den nedsenkede delen av den indre flensen på den rettvinklede delen på bunnen av spindelen.

Sett den nedsenkede navet /klaffskiven på den indre flensen og skru låsemutteren på spindelen.

► Fig.11: 1. Låsemutter 2. Forsenket nav 3. Indre flens 4. Monteringsdel

Stram låsemutteren ved å trykke så kraftig på spindellåsen at spindelen ikke kan rotere, og bruk låsemutternøkkelen til å stramme mutteren godt med klokken.

► Fig.12: 1. Låsemutternøkkel 2. Spindellås

Fjern hjulet ved å følge installeringsfremgangsmåten i motsatt rekkefølge.

## Montere eller fjerne flex-skiven

### Valgfritt tilbehør

**⚠ ADVARSEL:** Når du bruker flex-skiven må du alltid bruke medfølgende beskyttelse. Skiven kan knuse ved bruk, og vernet bidrar til å redusere faren for helseskader.

► Fig.13: 1. Låsemutter 2. Flex-hjul 3. Reservepute 4. Indre flens

Følg instruksjonene for skive med nedsenket nav, men bruk også reserveputen over skiven. Se monteringsrekkefølgen på tilbehørssiden i denne håndboken.

## Montere eller fjerne slipeskiven

### Valgfritt tilbehør

**MERK:** Bruk slipetilbehør spesifisert i denne håndboken. Disse må kjøpes separat.

## For 100 mm modell

► Fig.14: 1. Låsemutter for sliping 2. Slipeskive 3. Gummirondell 4. Indre flens

1. Monter den indre flensen på spindelen.



2. Monter gummihetten på spindelen.
3. Sett skiven på gummirondellen og skru låsemutterne for sliping på spindelen.
4. Hold spindelen med skafflåsen og stram låsemutterne for sliping med klokken med låsemutternøkkelen. Fjern skiven ved å følge installeringsfremgangsmåten i motsatt rekkefølge.

## For 115 mm / 125 mm modell

- **Fig.15:** 1. Låsemutter for sliping 2. Slipeskive 3. Gummirondell

1. Monter gummihetten på spindelen.
2. Sett skiven på gummirondellen og skru låsemutterne for sliping på spindelen.
3. Hold spindelen med skafflåsen og stram låsemutterne for sliping med klokken med låsemutternøkkelen. Fjern skiven ved å følge installeringsfremgangsmåten i motsatt rekkefølge.

## BRUK

**⚠ ADVARSEL:** Det er aldri nødvendig å bruke makt på verktøyet. Vekten av maskinen utøver passende trykk. Makt og for stort press kan føre til farlige brudd i skiven.

**⚠ ADVARSEL:** Skiven må ALLTID skiftes hvis maskinen mistes under sliping.

**⚠ ADVARSEL:** ALDRI dunk eller slå slipeskiven mot arbeidsstykket.

**⚠ ADVARSEL:** Unngå at skiven hopper eller setter seg fast, særlig ved sliping av hjørner, skarpe kanter osv. Dette kan føre til at du mister kontrollen, og at maskinen slår tilbake mot deg.

**⚠ ADVARSEL:** Maskinen må ALDRI brukes med skjæreblader for tre eller andre sagblader. Hvis slike blader brukes på en slipemaskin, kan de ofte føre til slag fra maskinen, slik at operatøren mister kontrollen og blir skadet.

**⚠ ADVARSEL:** Maskinen må aldri slås på mens den er i berøring med arbeidsstykket, da dette kan skade operatøren.

**⚠ ADVARSEL:** Bruk alltid vernebriller eller ansiktsmaske ved arbeid med maskinen.

**⚠ ADVARSEL:** Når du er ferdig å bruke maskinen må du alltid slå den av og vente til skiven har stoppet helt før du setter maskinen ned.

**⚠ ADVARSEL:** Ha ALLTID én hand på selve verktøykabinettet og den andre hånden på støttehåndtaket.

## Sliping og pussing

- **Fig.16**

Slå på maskinen og sett så skiven i berøring med arbeidsstykket.

Generelt skal kanten av skiven holdes i en vinkel på omtrent 15° mot overflaten av arbeidsstykket. I innkjøringsperioden for en ny skive må slipemaskinen ikke brukes i foroverretning, da dette kan føre til at den skjærer inn i arbeidsstykket. Så snart kanten av skiven er rundet av etter å være brukt litt, kan den brukes i både forover- og bakoverretning.

## Bruke kappeskive/diamantskive

### Valgfritt tilbehør

**⚠ ADVARSEL:** Ved bruk av kappeskive/diamantskive må du forsikre deg om at du bare bruker den spesielle beskyttelseskappen som er beregnet for bruk med kappeskiver.

(I enkelte europeiske land kan det vanlige vernet brukes ved bruk av diamantskive. Følg lokale forskrifter.)

**⚠ ADVARSEL:** IKKE bruk kappeskiver til sideveis sliping.

**⚠ ADVARSEL:** Ikke «klem fast» skiven eller legg sterkt press på den. Ikke forsøk å kutte svært dypt. For mye press på skiven øker belastningen og muligheten for vridning eller fastklemming av skiven i kuttet, noe som kan føre til tilbakeslag, skivebrudd og overoppheting av motoren.

**⚠ ADVARSEL:** Ikke start kappingen mens skiven står i arbeidsstykket. La skiven få full hastighet og sett den forsiktig i kuttet samtidig som du beveger verktøyet fremover over overflaten på arbeidsstykket. Skiven kan sette seg fast, vandre opp eller slå tilbake hvis verktøyet startes med skiven i arbeidsstykket.

**⚠ ADVARSEL:** Ikke endre vinkel på skiven under bruk. Legger du sideveis press på kappeskiven (som ved pussing), kan det føre til at skiven sprekker og brytes i stykker, noe som kan føre til alvorlig personskade.

**⚠ ADVARSEL:** En diamantskive skal brukes vinkelrett på materialet som kuttes.

- **Fig.17:** 1. Låsemutter 2. Slipende kappeskive/diamantskive 3. Indre flens 4. Skivevern for sliping kappeskive/diamantskive

Når det gjelder installasjonen, må du følge anvisningene for nedsenket nav.

Monteringsretningen for låsemutteren og den indre flensen varierer med skivetype og -tykkelse.

Se følgende figurer.

## For 100 mm modell

Når du installerer det slipende kapphjulet:

- **Fig.18:** 1. Låsemutter 2. Slipende kapphjul (tynnere enn 4 mm) 3. Slipende kapphjul (4 mm eller tykkere) 4. Indre flens

Når du installerer diamanthjulet:

- **Fig.19:** 1. Låsemutter 2. Diamanthjul (tynnere enn 4 mm) 3. Diamanthjul (4mm eller tykkere) 4. Indre flens

## For 115 mm / 125 mm modell

Når du installerer det slipende kapphjulet:

- **Fig.20:** 1. Låsemutter 2. Slipende kapphjul (tynnere enn 4 mm) 3. Slipende kapphjul (4 mm eller tykkere) 4. Indre flens

Når du installerer diamanthjulet:

- **Fig.21:** 1. Låsemutter 2. Diamanthjul (tynnere enn 4 mm) 3. Diamanthjul (4mm eller tykkere) 4. Indre flens

## Bruke koppbørsten av stål

*Valgfritt tilbehør*

**⚠ ADVARSEL:** Kontroller driften av børsten ved å kjøre verktøyet uten belastning, og forsikre deg om at ingen er foran eller ved siden av børsten.

**⚠ ADVARSEL:** Ikke bruk en børste som er skadet, eller som ikke er balansert. Hvis du bruker en skadet børste, kan dette øke faren for personskade ved kontakt med ødelagte børstetråder.

- **Fig.22:** 1. Koppbørste av stål

Fjern batteriet fra verktøyet og snu det opp ned for å få enkel tilgang til spindelen.

Demonter alt tilbehør fra spindelen. Monter koppbørsten av stål på spindelen og trekk til med den medfølgende nøkkelen.

**OBS:** Unngå å bruke for stort trykk, som kan føre at metalltrådene bøyes når du bruker børsten. Det kan føre til at de ødelegges for tidlig.

## Bruke sirkulær stålbørste

*Valgfritt tilbehør*

**⚠ ADVARSEL:** Kontroller driften av skivebørsten ved å kjøre verktøyet uten belastning, og forsikre deg om at ingen er foran eller ved siden av skivebørsten.

**⚠ ADVARSEL:** Ikke bruk en skivebørste som er skadet, eller som ikke er balansert. Hvis du bruker en skadet skivebørste, kan dette øke faren for personskade ved kontakt med ødelagte børstetråder.

**⚠ ADVARSEL:** Bruk ALLTID beskyttelseskappen med skivebørster, og pass på at skivens diameter passer inne i beskyttelseskappen. Skiven kan knuse ved bruk, og vernet bidrar til å redusere faren for helseskader.

- **Fig.23:** 1. Sirkulærbørste av stål

Fjern batteriet fra verktøyet og snu det opp ned for å få enkel tilgang til spindelen.

Demonter alt tilbehør fra spindelen. Skru skivebørsten på spindelen og stram med nøklene.

**OBS:** Unngå å bruke for stort trykk, som kan føre at metalltrådene bøyes når du bruker sirkulærbørsten av stål. Det kan føre til at de ødelegges for tidlig.

## VEDLIKEHOLD

**⚠ ADVARSEL:** Forviss deg alltid om at maskinen er slått av og batteriet tatt ut før du foretar inspeksjon eller vedlikehold.

**OBS:** Aldri bruk gasolin, bensin, tynner alkohol eller lignende. Det kan føre til misfarging, deformering eller sprekkdannelse.

## Rengjøring av luftventil

Maskinen og luftenåpningene må holdes rene. Rengjør maskinens luftenåpninger med jevne mellomrom og ellers når åpningene begynner å tettes.

- **Fig.24:** 1. Ventilasjonsutløp 2. Innsugsventil

Fjern støvdekslet fra innsugsventilen, og rengjør det for å sikre en jevn luftsirkulering.

- **Fig.25:** 1. Støvdeksel

**MERK:** Rengjør støvdekslet når det er tilstoppet av støv eller fremmedlegemer. Fortsatt drift med et tilstoppet støvdeksel kan skade verktøyet.

# VALGFRITT TILBEHØR

**⚠ ADVARSEL:** Det anbefales at du bruker dette tilbehøret eller verktøyet sammen med den Makita-maskinen som er spesifisert i denne håndboken. Bruk av annet tilbehør eller verktøy kan forårsake personskader. Tilbehør og verktøy må kun brukes til det formålet det er beregnet på.

Ta kontakt med ditt lokale Makita-servicesenter hvis du trenger mer informasjon om dette tilbehøret.

- Makita originalbatteri og lader

► Fig.26

-	100 mm modell	115 mm modell	125 mm modell
1	Håndtak 36		
2	Beskyttelseskappe (for slipehjul)		
3	Indre flens		
4	Nedsenket nav / klaffskive		
5	Låsemutter		
6	Reservepute		
7	Flex-hjul		
8	Indre flens og gummironde 76	Gummihette 100	Gummihette 115
9	Slipeskive		
10	Låsemutter for sliping		
11	Sirkulærbørste av stål		
12	Koppbørste av stål		
13	Beskyttelseskappe (for kapphjul) *1		
14	Slipende kappeskive / diamantskive		
-	Låsemutternøkkel		

**MERK:** \*1 Når du bruker et diamanthjul i enkelte europeiske land, kan en vanlig kappe brukes istedenfor spesialkappen som dekker begge sider av hjulet. Følg lokale forskrifter.

**MERK:** Enkelte elementer i listen kan være inkludert som standardtilbehør i verktøypakken. Elementene kan variere fra land til land.

## TEKNISET TIEDOT

Malli:	DGA408	DGA458	DGA508
Laikan halkaisija	100 mm (4")	115 mm (4-1/2")	125 mm (5")
Laikan suurin paksuus	6,4 mm		
Karan kierre	M10	M14 tai 5/8" (maakohtainen)	
Nimellisa nopeus (n)	8 500 min <sup>-1</sup>		
Kokonaispituus	Akkupaketti BL1815N, BL1820, BL1820B	348 mm	
	Akkupaketti BL1830, BL1830B, BL1840, BL1840B, BL1850, BL1850B, BL1860B	362 mm	
Nettopaino	Akkupaketti BL1815N, BL1820, BL1820B	2,2 kg	2,4 kg
	Akkupaketti BL1830, BL1830B, BL1840, BL1840B, BL1850, BL1850B, BL1860B	2,5 kg	2,6 kg
Nimellisjännite	DC 18 V		

- Jatkuvasta tutkimus- ja kehitystyöstämme johtuen esitetyt tekniset tiedot saattavat muuttua ilman erillistä ilmoitusta.
- Tekniset tiedot ja akkupaketti voivat vaihdella maittain.
- Paino akkupaketilla, EPTA-menettelyn 01/2003 mukaan

### Käyttötarkoitus

Työkalu on tarkoitettu metallin ja kiven hiomiseen ja leikkaamiseen ilman vettä.

### Melutaso

Tyypillinen A-painotettu melutaso määräytyy standardin EN60745 mukaan:

#### Malli DGA458

Äänenpainetaso ( $L_{pA}$ ): 80 dB (A)

Virhemarginaali (K): 3 dB (A)

#### Malli DGA508

Äänenpainetaso ( $L_{pA}$ ): 79 dB (A)

Virhemarginaali (K): 3 dB (A)

Työskentelyn aikana melutaso voi ylittää 80 dB (A).

**VAROITUS:** Käytä kuulosuojaimia.

### Tärinä

Kokonaistärinä (kolmen akselin vektorien summa) määräytyy standardin EN60745 mukaan:

#### Malli DGA458

Työtila: pintahionta tavallista sivukahvaa käyttäen

Tärinäpäästö ( $a_{h,AG}$ ): 5,5 m/s<sup>2</sup>

Virhemarginaali (K): 1,5 m/s<sup>2</sup>

Työtila: pintahionta tärinävaimennettua sivukahvaa käyttäen

Tärinäpäästö ( $a_{h,AG}$ ): 5,0 m/s<sup>2</sup>

Virhemarginaali (K): 1,5 m/s<sup>2</sup>

Työtila: laikkahionta normaalia sivukahvaa käyttäen

Tärinäpäästö ( $a_{h,DS}$ ): 2,5 m/s<sup>2</sup> tai alhaisempi

Virhemarginaali (K): 1,5 m/s<sup>2</sup>

Työtila: laikkahionta tärinävaimennettua sivukahvaa käyttäen

Tärinäpäästö ( $a_{h,DS}$ ): 2,5 m/s<sup>2</sup> tai alhaisempi

Virhemarginaali (K): 1,5 m/s<sup>2</sup>

#### Malli DGA508

Työtila: pintahionta tavallista sivukahvaa käyttäen

Tärinäpäästö ( $a_{h,AG}$ ): 6,0 m/s<sup>2</sup>

Virhemarginaali (K): 1,5 m/s<sup>2</sup>

Työtila: pintahionta tärinävaimennettua sivukahvaa käyttäen

Tärinäpäästö ( $a_{h,AG}$ ): 5,5 m/s<sup>2</sup>

Virhemarginaali (K): 1,5 m/s<sup>2</sup>

Työtila: laikkahionta normaalia sivukahvaa käyttäen

Tärinäpäästö ( $a_{h,DS}$ ): 2,5 m/s<sup>2</sup> tai alhaisempi

Virhemarginaali (K): 1,5 m/s<sup>2</sup>

Työtila: laikkahionta tärinävaimennettua sivukahvaa käyttäen

Tärinäpäästö ( $a_{h,DS}$ ): 2,5 m/s<sup>2</sup> tai alhaisempi

Virhemarginaali (K): 1,5 m/s<sup>2</sup>

**HUOMAA:** Ilmoitettu tärinäpäästöarvo on mitattu standarditestausmenetelmän mukaisesti, ja sen avulla voidaan vertailla työkaluja keskenään.

**HUOMAA:** Ilmoitettua tärinäpäästöarvoa voidaan käyttää myös altistumisen alustavaan arviointiin.

**VAROITUS:** Työkalun käytön aikana mitattu todellinen tärinäpäästöarvo voi poiketa ilmoitetusta tärinäpäästöarvosta työkalun käyttötavan mukaan.

**VAROITUS:** Selvitä käyttäjän suojaamiseksi tarvittavat varoitimet todellisissa käyttöolosuhteissa tapahtuvan arvioidun altistumisen mukaisesti (ottaen huomioon käyttöajaksi kokonaisuuudessaan, myös jaksot, joiden aikana työkalu on sammutettuna tai käy tyhjäkäynnillä).

**VAROITUS:** Ilmoitettu tärinäpäästöarvo koskee tämän työkalun pääasiallisia käyttötarkoituksia. Tärinäpäästöarvo voi kuitenkin muuttua, jos työkalua käytetään muihin tarkoituksiin.

## VAKUUTUS EC-VASTAAVUUDESTA

### Koskee vain Euroopan maita

Makita ilmoittaa, että seuraava(t) kone(et):

Koneen tunnistetiedot: Akkukäyttöinen kulmahiomakone

Mallinumero/tyyppi: DGA458, DGA508

Täyttävät seuraavien eurooppalaisten direktiivien vaatimukset: 2006/42/EC

On valmistettu seuraavien standardien tai standardoitujen asiakirjojen mukaisesti: EN60745

Direktiivin 2006/42/EC mukaiset tekniset tiedot ovat saatavissa seuraavasta osoitteesta:

Makita, Jan-Baptist Vinkstraat 2, 3070, Belgia  
11.8.2015

Yasushi Fukaya

Johtaja

Makita, Jan-Baptist Vinkstraat 2, 3070, Belgia

## Sähkötyökalujen käyttöä koskevat yleiset varoitukset

**VAROITUS:** Lue huolellisesti kaikki turvallisuusvaroitukset ja käyttöohjeet. Jos varoitusten ja ohjeiden noudattaminen laiminlyödään, seurauksena voi olla sähköisku, tulipalo ja/tai vakava vammautuminen.

## Säilytä varoitukset ja ohjeet tulevaa käyttöä varten.

Varoituksissa käytettävällä termillä "sähkötyökalu" tarkoitetaan joko verkkovirtaa käyttävää (johdollista) työkalua tai akkukäyttöistä (johdotonta) työkalua.

## Akkukäyttöisen hiomakoneen turvaohjeet

Hiontaa, hiemäpaperihiontaa, harjausta ja katkaisua koskevat yleiset varoitukset:

1. Tätä sähkötyökalua voidaan käyttää hiomakoneena, hiemäpaperihiomakoneena, teräsharjana ja katkaisutyökaluna. Tutustu kaikkiin tämän sähkötyökalun mukana toimitettuihin varoituksiin, ohjeisiin, kuviin ja teknisiin tietoihin. Seuraavassa lueteltujen ohjeiden noudattamatta jättäminen saattaa johtaa sähköiskuun, tulipaloon tai vakavaan vammautumiseen.

2. Älä käytä työkalua kiillottamiseen. Sellaiset toiminnot, joihin tätä sähkötyökalua ei ole suunniteltu, voivat aiheuttaa vaurion ja aiheuttaa henkilövammian.
3. Älä käytä sellaisia lisävarusteita, jotka eivät ole nimenomaan valmistajan suunnittelemaa tai suoistellemaa. Vaikka lisävarusteen voi kiinnittää työkaluun, sen käyttö ei silti välttämättä ole turvallista.
4. Lisävarusteen määrätyn nopeuden täytyy olla ainakin samanvertainen tehokoneessa osoitetun enimmäisnopeuden kanssa. Sellaiset lisävarusteet, jotka toimivat nopeammin, kuin määritetty nopeus, voivat rikkoutua ja sinkoutua erilleen.
5. Lisävarusteesi ulkohalkaisijan ja paksuuden on oltava tehokoneesi määritetyn kapasiteetin sisällä. Väärin mitoitetuja lisävarusteita ei voida suojata tai ohjata sopivasti.
6. Lisävarusteiden kiertetietyn asennuskiinnityksen on vastattava hiomakoneen karan kierteitä. Laippa-asennettävien lisävarusteiden asennusreian on vastattava kohdistuslaipan halkaisijaa. Jos lisävaruste ei sovi tehokoneen asennusvarustukseen, tehokone ei ole tasapainossa. Se voi täräistä voimakkaasti, mikä voi aiheuttaa työkalun hallinnan menetyksen.
7. Älä käytä viallisia lisävarusteita. Ennen jokaista käyttökertaa tarkista, että hiomalaikassa ei ole lohkeamia tai halkeamia, tyyntyissä ei ole halkeamia tai merkkejä liiallisesta kulumisesta ja että teräsharjan harjakset eivät ole irti tai halkeilleet. Jos työkalu tai lisävaruste pääsee putoamaan, tarkista sen kunto tai vaihda lisävaruste ehjään. Asetu lisävarusteen tarkastuksen ja asennuksen jälkeen niin, ettet itse tai kukaan sivullinen ole pyöriävän lisävarusteen kanssa samassa tasossa ja käytä laitetta sitten suurimmalla sallitulla joutokäyntinopeudella yhden minuutin ajan. Vioittunut lisävaruste hajoaa yleensä tässä testiajassa.
8. Käytä suojavarusteita. Käytä käyttötarkoituksen mukaisesti kasvosuojusta, suojalaseja tai sivusuojilla varustettuja laseja. Käytä tarvittaessa hengityssuojainta, kuulosuojaimia, hirsikkaita ja työessua, joka suojaa pieniltä pirstaleilta. Suojalasiin täytyy suojata kaikenlaisista töistä aiheutuvilta lentäviltä pirstaleilta. Hengityssuojaimen täytyy suodattaa työskentelyn tuottamat hiukkaset. Pitkäaikainen altistuminen voimakkaalle melulle voi vahingoittaa kuuloa.
9. Sivullisten tulee pysyä turvallisen etäisyyden päässä työskentelyalueesta. Kaikkien työskentelyalueelle tulevien on käytettävä suojavarusteita. Työkappaleen tai rikkoutuneen lisävarusteen pirstaleet voivat aiheuttaa vammian välittömästi toiminta-alueen ulkopuolella.
10. Kun suoritat toimintaa, jossa työkalu voi joutua kosketukseen piilossa olevien johtojen kanssa, pidä kiinni työkalusta sen eristetyn pinnan kohdalta. Jos sähkötyökalun metalliosia joutuu kosketukseen virrallisen johdon kanssa, työkalun sähköä johtavat metalliosat voivat aiheuttaa käyttäjälle sähköiskun.
11. Älä koskaan laita tehokonetta alas, ennen kuin lisävaruste on täysin pysähtynyt. Pyöriävä lisävaruste voi tarrata pintaan ja vetää tehokoneen käsistäsi.

12. **Älä käytä laitetta, kun annat sitä sivullasi.** Vahingossa aiheutuva kosketus pyörivään lisävarusteeseen voi repiä vaatteesi, vetäen lisävarusteen kehoosi.
13. **Puhdista työkalun ilma-aukot säännöllisesti.** Moottorin tuuletin imee pölyä koteloon, ja metallijauheen kerääntymisen laitteeseen voi aiheuttaa sähköiskuvaaran.
14. **Älä käytä tehokoneita tulenarkojen materiaalien lähellä.** Kipinät voivat sytyttää nämä materiaalit.
15. **Älä käytä sellaisia lisävarusteita, jotka vaativat jäähdytysnesteitä.** Jos käytät vettä tai muita jäähdytysnesteitä, ne voivat aiheuttaa sähkötapaturman tai -iskun.

#### **Takapotku ja siihen liittyvät varoitukset**

Takapotku on kiinni juuttuneen laikan, tynny, harjan tai muun lisävarusteen aiheuttama äkillinen sysäys. Kiinni juuttuminen tai takertelu aiheuttaa sen, että pyörivä lisävaruste pysähtyy, mikä puolestaan alkaa työntää laitetta hallitsemattomasti pyörimisliikkeelle vastakkaiseen suuntaan.

Jos laikka esimerkiksi juuttuu työkappaleeseen, juuttumiskohtaan puretumassa oleva laikka voi tunkeutua kappaleen pintaan, jolloin se kiipeää ylös tai potkaisee taaksepäin. Laikka voi ponnahtaa joko käyttäjää kohti tai käyttäjästä pois päin riippuen laikan pyörimissuunnasta juuttumishetkellä. Hiomalaikat voivat myös rikkoutua näissä tilanteissa.

Takapotku johtuu tehokoneen virheellisestä käytöstä ja/tai käyttötavasta tai olosuhteista. Takapotku voidaan välttää seuraavien varoitusten avulla.

1. **Pitele tehokoneesta tukevasti kiinni ja asetu sellaiseen asentoon, että voit vastustaa takapotkun voimaa.** Käytä aina apukahvaa, jos annettu mukana, takapotkujen tai vääntömomentin maksimi hallinnon vuoksi käynnistytksen aikana. Käyttäjä voi hallita vääntömomentin reaktioita tai takapotkun voimaa noudattamalla sopivia varoitoimenpiteitä.
2. **Älä koskaan vie kättäsi pyörivän lisävarusteen lähelle.** Lisävaruste saattaa aiheuttaa takapotkun käsillesi.
3. **Älä asetu niin, että kehosi jää sähkötyökalun tielle takapotkun sattuessa.** Takapotku heittää laitetta laikan pyörimissuuntaan näiden painavastaiseen suuntaan.
4. **Ole erityisen varovainen, kun työstät nurkkia, teräviä reunoja tms. Vältä laikan pommipimista ja jumittumista.** Kulmilla, terävillä reunoilla tai ponnahtamisella on taipumus repäistä pyörivää lisävarustetta ja aiheuttaa hallinnan menettämisen tai takapotkun.
5. **Älä käytä laitteessa moottorisahan puunleikkuuterää tai hammastettua terää.** Tällaiset terät aiheuttavat usein takapotkuja ja hallinnan menettämisen.

#### **Hiontaa ja katkaisua koskevat erityiset varoitukset:**

1. **Käytä vain kyseiselle sähkötyökalulle tarkoitettuja laikkatyyppöjä ja kyseiselle laikalte tarkoitettua erikoissuojaa.** Muita kuin kyseiselle sähkötyökalulle nimenomaisesti tarkoitettuja laikkoja ei voida suojata kunnolla, eivätkä ne ole turvallisia.

2. **Uputetulla navalla varustettujen laikkojen hiomapinnan on oltava suojareunan tason alapuolella.** Väärin asennettua laikkaa, joka työnty suojareunan tason läpi, ei ole asianmukaisesti suojattu.
3. **Suojus on kiinnitettävä laitteeseen tukevasti turvalliseen asentoon niin, että mahdollisimman pieni osa laikasta näkyy käyttäjää kohti.** Suoja suoja käyttäjää rikkoutuneen laikan palailta ja kipinöiltä, jotka voisivat sytyttää vaatteet palamaan, sekä estää vahingossa koskettamasta laikkaa.
4. **Laikkoja saa käyttää vain niille suositeltuun käyttötarkoitukseen.** Esimerkki: älä käytä katkaisulaikan sivua hiomiseen. Katkaisulaikkaa käytettäessä hionta on tarkoitettu tehtäväksi vain laikan kehällä. Laikkaan kohdistettava sivuttaisvoima voi rikkoa sen sirpaleiksi.
5. **Käytä aina ehjiä ja oikean kokoisia laikkalaippoja, joiden muoto vastaa valittua laikkaa.** Oikeantyyppiset laikkalaipat tukevat laikkaa ja pienentävät näin laikan rikkoutumisriskiä. Katkaisulaikkoihin tarkoitetut laipat voivat olla erilaisia kuin hiomalaikkojen laipat.
6. **Älä käytä suurempien sähkötyökalujen kulu-neita laikkoja.** Suurin sähkötyökaluihin tarkoitetut laikat eivät sovi suuremmalla nopeudella toimiviin pienempiin työkaluihin ja voivat siksi hajota.

#### **Katkaisua koskevat lisävaroitukset:**

1. **Älä anna laikan juuttua paikalleen äläkä käytä liiallista painetta. Älä yritä tehdä liian syvää uraa.** Laikan liiallinen painaminen lisää kuormitusta ja laikan vääntymis- tai juuttumisriskiä, jolloin seurauksena voi olla takapotku tai laikan rikkoutuminen.
2. **Älä asetu samaan linjaan pyörivän laikan taakse.** Kun laikka käytettäessä liikkuu käyttäjäästä pois päin, mahdollinen takapotku voi sysätä pyörivän laikan ja sähkötyökalun suoraan käyttäjää kohti.
3. **Kun laikka takertelee tai työ joudutaan jostakin syystä keskeyttämään, katkaise laitteesta virta ja pidä sitä paikoillaan liikkumatta, kunnes laikka on täysin pysähtynyt. Älä koskaan yritä irrottaa laikkaa urasta, kun laikka vielä pyörii, koska seurauksena voi olla takapotku.** Selvitä laikan takertelun syy ja poista juuttumisen aiheutuksen syy.
4. **Älä käynnistä laitetta niin, että se on kiinni työkappaleessa.** Anna laikan savuttaa täysi pyörimisnopeus ja työnnä laikka sitten varovasti leikkuu-uraan. Jos työkalu käynnistetään niin, että se on kiinni työkappaleessa, laikka voi juuttua, työntyä taaksepäin tai ponnahtaa ylös.
5. **Vahennä laikan takertelu- ja takapotkuriskiä tukeamalla paneelit ja ylisuuret työkappaleet huolellisesti.** Suurikokoiset työkappaleet pyrkivät taipumaan omasta painostaan. Työkappale on tuettava laikan kummaltakin puolelta leikkulinjan vierestä ja työkappaleen reunoilta.
6. **Ole erityisen varovainen, kun teet aukkoja seinäniin tai muihin umpinaiisiin rakenteisiin.** Laikka voi katkaista kaasu- tai vesiputken tai sähköjoh-toja tai osua takapotkun aiheuttaviin esteisiin.

## Hiekkapaperihiontaa koskevat erikoismääräykset:

1. Älä käytä yli kokoista hiomalaikkapaperia. Noudata hiekkapaperin valinnassa valmistajan suosituksia. Hiomatyydyn ulkopuolelle ulottuva hiekkapaperi voi revetä ja aiheuttaa takertelua, laikkavaurioita tai takapotkun.

## Teräsharjausta koskevat erityiset varoitukset:

1. Ota huomioon, että harjaksia irtoaa harjasta myös normaalkäytössä. Älä kuormita harjaksia turhaan painamalla liian voimakkaasti. Harjakset voivat helposti tunkeutua kevyen vaate-tuksen ja/tai ihon läpi.
2. Jos harjauksessa suositellaan käytettäväksi suojusta, älä anna harjausajan tai harjan koskettaa suojukseen. Harjausajan tai harjan halkaisija voi kasvaa kuormituksen ja keskipakoisvoiman vaikutuksesta.

## Turvallisuutta koskevat lisävaroitukset:

1. Jos käytät hiomalaikkaa, jossa on upotettu keskiö, varmista, että laikka on lasikuituvahvisteinen.
2. ÄLÄ KOSKAAN käytä tässä hiomakoneessa kiven hiontaan tarkoitettuja kuppilaikkoja. Hiomakoneetta ei ole suunniteltu tämän tyyppisten laikkojen käyttöön. Vääräntyyppisten laikkojen käyttö voi aiheuttaa vakavan henkilövahingon.
3. Varo, ettet vahingoita karaa, laippaa (erityisesti asennuspintaa) tai lukkomutteria. Näiden osien vioittuminen voi aiheuttaa laikan rikkoutumisen.
4. Varmista, ettei laikka kosketa työkappaleeseen, ennen kuin virta on kytketty päälle kytkimestä.
5. Anna koneen käydä jonkin aikaa, ennen kuin alat työstää työkappaletta. Varo, ettei se värähtele tai tärise, mikä voi on merkki siitä, että laikka on huonosti asennettu tai tasapainotettu.
6. Käytä hiontaan siihen tarkoitettua laikan pintaa.
7. Älä jätä työkalua käymään itseksensä. Käytä laitetta vain silloin, kun pidät sitä kädessä.
8. Älä kosketa työkappaletta heti käytön jälkeen, sillä se saattaa olla erittäin kuuma ja polttaa ihoa.
9. Noudata valmistajan ohjeita laikkojen oikeasta asennuksesta ja käytöstä. Käsittele laikkoja varoen ja säilytä niitä huolella.
10. Älä käytä erillisiä supistusholkkeja tai sovitimia isoaukkoisten hiomalaikkojen kiinnitykseen.
11. Käytä ainoastaan tälle työkalulle tarkoitettuja laippoja.
12. Kun käytät kierreireillä varustetuille laikoille tarkoitettua työkalua, varmista, että laikan kierteet vastaavat pituudeltaan karan pituutta.
13. Varmista, että työkappale on tukevasti paikoillaan.
14. Ota huomioon, että laikka jatkaa pyörimistään vielä sen jälkeen, kun virta on katkaistu.
15. Jos työtöila on erittäin kuuma ja kostea tai siinä esiintyy runsaasti sähköä johtavaa pölyä, varmista turvallisuus käyttämällä vikavirtakatkaisinta (30 mA).

16. Älä hio tai laikkaa työkalulla mitään asbestia sisältäviä materiaaleja.
17. Käytä aina paikallisten määräysten edellyttämää pölyä keräävää laikansuojusta.
18. Katkaisulaikkaa ei saa painaa sivusuunnassa.
19. Älä pidä kankaisia työkasineita käytön aikana. Kankaisista käsineistä irtoavat kuidut voivat päätyä työkalun sisään ja vaurioittaa työkalua.

## SÄILYTÄ NÄMÄ OHJEET.

**VAROITUS:** ÄLÄ anna työkalun helppokäyttöisyyden (toistuvan käytön aikaansaama) johtaa sinua väärään turvallisuuden tunteeseen niin, että laiminlyöt työkalun turvaohjeiden noudattamisen. VÄÄRINKÄYTTÖ tai tässä käyttöohjeessa ilmoitettujen turvamääräysten laiminlyönti voi aiheuttaa vakavia henkilövahinkoja.

## Akkupakettia koskevia tärkeitä turvaohjeita

1. Ennen akun käyttöönottoa tutustu kaikkiin laturissa (1), akussa (2) ja akkukäyttöisessä tuotteessa (3) oleviin varoitusteksteihin.
2. Älä pura akkua.
3. Jos akun toiminta-aika lyhenee merkittävästi, lopeta akun käyttö. Seurauksena voi olla ylikuumentuminen, palovammoja tai jopa räjähdys.
4. Jos akkunestettä pääsee silmiin, huuhtele puhtaalla vedellä ja hakeudu välittömästi lääkärin hoitoon. Akkuneste voi aiheuttaa näön menetyksen.
5. Älä oikosulje akkua.
  - (1) Älä koske akun napoihin millään sähköä johtavalla materiaalilla.
  - (2) Vältä akun oikosulkemista äläkä säilytä akkua yhdessä muiden metalliesineiden, kuten naulojen, kolikoiden ja niin edelleen kanssa.
  - (3) Älä aseta akkua alttiiksi vedelle tai sateelle.Oikosulku voi aiheuttaa virtapiikin, ylikuumentumista, palovammoja tai laitteen rikkoontumisen.
6. Älä säilytä työkalua ja akkua pakkassa, jossa lämpötila voi nousta 50 °C:een tai sitäkin korkeammaksi.
7. Älä hävitä akkua polttamalla, vaikka se olisi pahoin vaurioitunut tai täysin loppuun kulunut. Avotuli voi aiheuttaa akun räjähtämisen.
8. Varo kolhimasta tai pudottamasta akkua.
9. Älä käytä viallista akkua.
10. Sisältyviä litium-ioni-akkuja koskevat vaarallisten aineiden lainsäädännön vaatimukset. Esimerkiksi kolmansien osapuolten huolintaliikkeiden tulee kaupallisissa kuljetuksissa noudattaa pakkaamista ja merkintöjä koskevia erityisvaatimuksia. Lähettävän tuotteen valmistelu edellyttää vaarallisten aineiden asiantuntijan neuvontaa. Huomioi myös mahdollisesti yksityiskohtaisemmat kansalliset määräykset

Akun avoimet liittimet tulee suojata teipillä tai suojuksella ja pakkaaminen tulee tehdä niin, ettei akku voi liikkua pakkauksessa.

11. Hävitä akku paikallisten määräysten mukaisesti.

## SÄILYTÄ NÄMÄ OHJEET.

**▲HUOMIO:** Käytä vain alkuperäisiä Makita-akkuja. Muiden kuin aitojen Makita-akkujen, tai mahdollisesti muutettujen akkujen käyttö voi johtaa akun murtumiseen ja aiheuttaa tulipaloja, henkilö- ja omaisuusvahinkoja. Se mitätöi myös Makita-työkalun ja -laturin Makita-takuun.

## Vihjeitä akun käyttöiän pidentämiseksi

1. Lataa akku ennen kuin se purkautuu täysin. Lopeta aina työkalun käyttö ja lataa akku, jos huomaat työkalun tehon vähenevän.
2. Älä koskaan lataa uudestaan täysin ladattua akkua. Yliilataaminen lyhentää akun käyttöikää.
3. Lataa akku huoneen lämpötilassa välillä 10 °C - 40 °C. Anna kuumen akun jäähtyä ennen lataamista.
4. Lataa akkupaketti, jos et käytä sitä pitkään aikaan (yli kuusi kuukautta).

## TOIMINTOJEN KUVAUS

**▲HUOMIO:** Varmista aina ennen säätöjä ja tarkastuksia, että työkalu on sammutettu ja akkupaketti irrotettu.

## Akun asentaminen tai irrottaminen

**▲HUOMIO:** Sammuta työkalu aina ennen akun kiinnittämistä tai irrottamista.

**▲HUOMIO:** Pidä työkalusta ja akusta tiukasti kiinni, kun irrotat tai kiinnität akkua. Jos akkupaketti tai työkalu putoaa, ne voivat vaurioitua tai aiheuttaa tapaturman.

- **Kuva1:** 1. Punainen merkkivalo 2. Painike 3. Akkupaketti

Irrota akku painamalla akun etupuolella olevaa painiketta ja vetämällä akku ulos työkalusta.

Akku liitetään sovitamalla akun kieleke rungon uraan ja työntämällä se sitten paikoilleen. Työnnä akku pohjaan asti niin, että kuulet sen napsahdavan paikoilleen. Jos painikkeen yläpuolella näkyy punainen ilmaisin, akku ei ole lukkiutunut täysin paikoilleen.

**▲HUOMIO:** Työnnä akku aina pohjaan asti, niin että punainen ilmaisin ei enää näy. Jos akku ei ole kunnolla paikallaan, se voi pudota työkalusta ja aiheuttaa vammoja joko sinulle tai sivullisille.

**▲HUOMIO:** Älä käytä voimaa akun asennuksessa. Jos akku ei liu'u paikalleen helposti, se on väärässä asennossa.

## Akun jäljellä olevan varaustason ilmaisin

Vain akkupaketeille, joiden mallinumeron lopussa on "B"

- **Kuva2:** 1. Merkkivalot 2. Tarkistuspainike

Painamalla tarkistuspainiketta saat näkyviin akun jäljellä olevan varauksen. Merkkivalot palavat muutaman sekunnin ajan.

Merkkivalot			Akussa jäljellä olevan varaus
Palaa	Pois päältä	Viikkuu	
■ ■ ■ ■			75% - 100%
■ ■ ■ □			50% - 75%
■ ■ □ □			25% - 50%
■ □ □ □			0% - 25%
▬ □ □ □			Lataa akku.
■ ■ □ □	↑ ↓	□ □ ■ ■	Akussa on saattanut olla toimintahäiriö.

**HUOMAA:** Ilmoitettu varaustaso voi erota hieman todellisesta varaustasosta sen mukaan, millaisissa oloissa ja missä lämpötilassa laitetta käytetään.

## Akun jäljellä olevan varaustason ilmaisin

### Maakohtainen

Kun työkaluun kytketään virta, akun merkkivalo näyttää akun jäljellä olevan varauksen.

- **Kuva3:** 1. Akun merkkivalo

Akun jäljellä oleva varaustaso näkyy seuraavassa taulukossa esitetyllä tavalla.

Akun merkkivalon tila			Akussa jäljellä oleva varaus
Päällä	Pois päältä	Viikkuu	
■ ■ ■ ■			50% - 100%
■ ■ ■ □			20% - 50%
■ □ □ □			0% - 20%
▬ □ □ □			Lataa akku



## Työkalun/akun suojausjärjestelmä

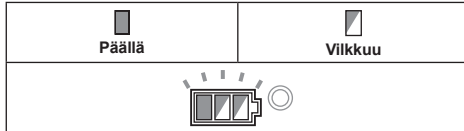
Työkalu on varustettu työkalu/akun suojausjärjestelmällä. Tämä järjestelmä pidentää työkalun ja akun käyttöikää katkaisemalla automaattisesti moottorin virran. Työkalu pysähtyy automaattisesti kesken käytön, jos työkalussa tai akussa ilmenee jokin seuraavista tilanteista: Joissakin tilanteissa merkkivalot syttyvät.

### Ylikuormitusuoja

Kun työkalua käytetään tavalla, joka saa sen kuluttamaan epätavallisen suuren määrän virtaa, työkalu pysähtyy automaattisesti ilman mitään merkkivaloa tai ilmaisinta. Katkaise tässä tilanteessa työkalusta virta ja lopeta ylikuormitustilan aiheuttanut käyttö. Käynnistä sitten työkalu uudelleen kytkemällä siihen virta.

### Ylikuumenemissuoja

Kun työkalu ylikuumentuu, se pysähtyy automaattisesti ja akun merkkivalo ilmaisee tilan seuraavasti: Anna silloin työkalun jäähtyä, ennen kuin kytket virran työkaluun uudelleen.



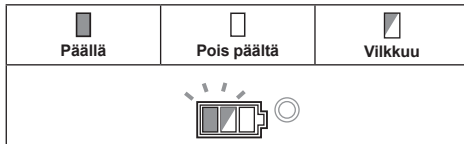
Jos työkalu ei käynnisty, akku voi olla ylikuumentunut. Anna silloin akun jäähtyä, ennen kuin kytket virran työkaluun uudelleen.

### Ylipurkautumissuoja

Kun akun varaus on riittämätön, työkalu pysähtyy automaattisesti. Irrota silloin akku työkalusta ja lataa se.

### Suojalukituksen vapauttaminen

Kun suojajärjestelmä toimii toistuvasti, työkalu lukittuu ja akun merkkivalo ilmaisee tilan seuraavasti: Tässä tilassa työkalu ei käynnisty, vaikka sen virta katkaistaan ja kytketään. Voit vapauttaa suojalukituksen seuraavasti: irrota akku, aseta se akkularuriin ja odota, että se latautuu kokonaan.



### Akselilukko

Kun kiinnität tai irrotat lisälaitteita, estä a pyörimistä painamalla lukitusta.

► **Kuva4:** 1. Akselilukko

**HUOMAUTUS:** Älä koskaan kytke lukkoa päälle n pyöriessä. Työkalu voi rikkoutua.

## Kytkimen käyttäminen

**▲HUOMIO:** Varmista ennen akun asentamista työkaluun, että kytkinvipu toimii oikein ja palautuu "OFF"-asentoon, kun se vapautetaan.

**▲HUOMIO:** Älä vedä kytkinvivusta voimakkaasti, ellei samalla paina lukituksen vapautusvipua. Kytkin voi rikkoutua.

Työkalussa on lukituksen vapautusvipu, joka estää kytkinvivun painamisen vahingossa. Käynnistä työkalu vetämällä lukituksen vapautusvipua itseesi päin ja vetämällä sitten kytkinvipua. Pysäytä työkalu vapauttamalla kytkinvipua.

► **Kuva5:** 1. Lukituksen vapautusvipu 2. Kytkinvipu

## Automaattinen nopeudenvaihtotoiminto

► **Kuva6:** 1. Tilan merkkivalo

Tilan merkkivalon tila	Toimintatila
	Suurnopeustila
	Suuren vääntömomentin tila

Tässä työkalussa on "suuren nopeuden tila" ja "suuren vääntömomentin tila". Se muuttaa toimintatilaa automaattisesti kuormituksen mukaan. Kun toimintatilan merkkivalo syttyy käytön aikana, työkalu on suuren vääntömomentin tilassa.

## Vahinkokäynnistyksen estotoiminto

Vaikka kytkinvipua painettaisiin akun asennuksen aikana, työkalu ei käynnisty.

Kun haluat käynnistää työkalun, vapauta ensin kytkinvipu. Vedä sitten lukituksen vapautusvipua ja paina kytkinvipua.

## Elektroninen vääntömomentin ohjaustoiminto

Työkalu tunnistaa sähköisesti tilanteet, joissa laikka tai lisälaitte voi olla vaarassa juuttua. Silloin työkalu sammuu automaattisesti ja estää akselin pyörimisen (se ei estä takaporttia).

Voit käynnistää työkalun uudelleen sammuttamalla sen ensin, poistamalla syyn äkilliseen pyörimisnopeuden laskuun ja käynnistämällä työkalun.

## Pehmeä käynnisty

Pehmeä käynnistystoiminto vaimentaa käynnistysnykäystä.

## Sähköjarru

Mekaaninen jarru aktivoituu työkalun virran katkeamisen jälkeen.

Jarru ei toimi, jos virtalähteen virta katkaistaan, esimerkiksi jos akku irrotetaan vahingossa, mutta laitteen virtakytkin on päällä.

# KOKOONPANO

**▲HUOMIO:** Varmista aina ennen säätöjä ja tarkastuksia, että työkalu on sammutettu ja akkupaketti irrotettu.

## Sivukahvan asentaminen (kahva)

**▲HUOMIO:** Varmista aina ennen käyttöä, että sivukahva on tukevasti paikoillaan.

Kiinnitä sivukahva koneeseen kuvan osoittamalla tavalla.

► Kuva7

## Laikan suojuksen kiinnittäminen ja irrottaminen (upotetulla navalla varustettu laikka, lamellilaikka, joustava laikka, teräsharjalaikka / hiova katkaisulaikka, timanttilaikka)

**▲VAROITUS:** Jos käytössä on upotetulla navalla varustettu hiomalaikka, lamellilaikka, joustava laikka tai teräsharjalaikka, laikan suojuksen kiinnitettävä työkaluun niin, että suojuksen umpinainen puoli tulee aina käyttäjää kohti.

**▲VAROITUS:** Varmista hiomakatkaisu-/timanttilaikkaa käyttäessäsi, että käytät ainoastaan katkaisulaikoille tarkoitettua erikoislaikansuojusta.

(Joissakin Euroopan maissa voidaan käyttää timanttilaikan kanssa tavallista suojusta. Noudata oman maasi määräyksiä.)

## Lukitusruuvi-tyyppisillä laikkasuojuksilla varustetulle työkalulle

Kiinnitä laikan suojuksen kiinnityspannan ulokkeet tulevat laakerikotelon lovien kohdalle. Käännä laikan suojuksen sellaiseen asentoon, jossa se suojaa käyttäjää työn vaatimusten mukaisesti. Varmista ruuvien kiristäminen tiukkaan.

Irrota laikan suojuksen päinvastaisessa järjestyksessä.

► Kuva8: 1. Laikan suojuksen 2. Laakeripesä 3. Ruuvi

## Kiristysruuvi-tyyppisillä laikkasuojuksilla varustetulle työkalulle

Löysää ruuvi ja vedä vipua nuolen osoittamaan suuntaan. Kiinnitä laikan suojuksen kiinnityspannan ulokkeet tulevat laakerikotelon lovien kohdalle. Käännä laikan suojuksen sellaiseen asentoon, jossa se suojaa käyttäjää työn vaatimusten mukaisesti.

► Kuva9: 1. Laikan suojuksen 2. Laakeripesä 3. Ruuvi 4. Vipua

Vedä vipua nuolen osoittamaan suuntaan. Kiristä sitten laikan suojuksen ruuvi. Varmista ruuvien kiristäminen tiukkaan. Laikan suojuksen asennuskulmaa voidaan säätää vivulla.

► Kuva10: 1. Ruuvi 2. Vipua

Irrota laikan suojuksen päinvastaisessa järjestyksessä.

## Upotetulla navalla varustetun laikan tai lamellilaikan asentaminen ja irrottaminen

### Lisävaruste

**▲VAROITUS:** Jos käytössä on upotetulla navalla varustettu laikka tai lamellilaikka, laikan suojuksen kiinnitettävä työkaluun niin, että suojuksen umpinainen puoli tulee aina käyttäjää kohti.

**▲HUOMIO:** Varmista, että sisälaipan asennusosa sopii upotetulla navalla varustetun laikan/lamellilaikan sisähalkaisijaan täydellisesti. Sisälaipan asentaminen väärälle puolelle saattaa aiheuttaa vaarallista ääntä.

Asenna sisälaippa karaan.

Varmista, että sisälaipan upotettu kohta on vasten karaan alaosan suoraa osaa.

Sovita upotetulla navalla varustettu laikka/lamellilaikka sisälaipalle ja kierrä lukkomutteri karaan.

► Kuva11: 1. Lukkomutteri 2. Upotetulla navalla varustettu laikka 3. Sisälaippa 4. Asennusosa

Kiristä lukkomutteri painamalla akselilukkoa voimakkaasti niin, ettei kara pääse pyörimään, ja kiristä lukkomutteri sitten lukkomutteriavaimella myötäpäivään kääntämällä.

► Kuva12: 1. Lukkomutteriavain 2. Akselilukko

Laikka irrotetaan päinvastaisessa järjestyksessä.

## Joustolaikan kiinnitys ja irrotus

### Lisävaruste

**▲VAROITUS:** Käytä aina mukana toimitettua suojusta, kun joustolaikka on kiinni työkalussa. Laikka voi hajota käytössä, joten suojuksen vähentää henkilövahingon riskiä.

► Kuva13: 1. Lukkomutteri 2. Joustolaikka 3. Varatyyny 4. Sisälaippa

Noudata upotetulla navalla varustettua laikkaa koskevia ohjeita, mutta käytä lisäksi laikan päällä varatyynyä. Katso asennusjärjestys tämän ohjeen lisävarustesivulta.

## Hiomalaikan asentaminen tai irrottaminen

### Lisävaruste

**HUOMAA:** Käytä vain tässä ohjekirjassa määritetyt hiomakoneita. Ne on ostettava erikseen.

## 100 mm malli

► Kuva14: 1. Hiomalaikan lukkomutteri 2. Hiomalaikka 3. Kumityyny 4. Sisälaippa

1. Asenna sisälaippa karaan.
  2. Asenna kumityyny karaan.
  3. Sovita laikka kumityynyyn ja kiinnitä hiomalaikan lukkomutteri karaan.
  4. Pidätä karaa akselilukolla ja kiristä hiomalaikan lukkomutteria myötäpäivään lukkomutteriavaimella.
- Irrota laikka päinvastaisessa järjestyksessä.

## 115 mm / 125 mm malli

- **Kuva15:** 1. Hionnan lukkomutteri 2. Hiomalaikka 3. Kumityyny

1. Asenna kumityyny karaan.
  2. Sovita laikka kumityynyyn ja kiinnitä hiomalaikan lukkomutteri karaan.
  3. Pidätä karaa akselilukolla ja kiristä hiomalaikan lukkomutteria myötäpäivään lukkomutteriavaimella.
- Irrota laikka päinvastaisessa järjestyksessä.

## TYÖSKENTELY

### ▲VAROITUS: Älä koskaan pakota konetta.

Koneen oma paino riittää. Pakottaminen voi liiallisen painaminen voi aiheuttaa vaarallisen laikan rikkoutumisen.

▲**VAROITUS:** Vaihda laikka AINA, jos kone pääsee putoamaan hionnan aikana.

▲**VAROITUS:** ÄLÄ KOSKAAN iske tai kolhi laikkaa työkalupaleeseen.

▲**VAROITUS:** Vältä laikan pömpömistä ja jumittumista varsinkin silloin, kun työstät nurkkia, teräviä reunoja ja niin edelleen. Seurauksena voi olla hallinnan menetys ja takapotku.

▲**VAROITUS:** ÄLÄ KOSKAAN asenna koneeseen puun leikkaamiseen tarkoitettuja teriä tai muita sahanteriä. Kulmahiomakoneessa käytettynä nämä terät aiheuttavat usein takapotkun ja hallinnan menetysten, jolloin seurauksena voi olla henkilövahinko.

▲**HUOMIO:** Älä koskaan käynnistä konetta, kun se koskettaa työkalupaleeseen, koska tämä voi aiheuttaa käyttäjälle vammoja.

▲**HUOMIO:** Käytä aina suojalaseja tai kasv suojusta käytön aikana.

▲**HUOMIO:** Käytön jälkeen katkaise koneesta aina virta ja odota, kunnes laikka on täysin pysähtynyt ennen kuin lasket koneen käsistä.

▲**HUOMIO:** Ota työkalusta AINA tukeva ote toinen käsi rungossa ja toinen sivukahvassa.

## Hionta

- **Kuva16**

Käynnistä kone ja vie sitten laikka työkalupaleeseen. Pidä yleisesti laikkaa noin 15°:een kulmassa työkalupaleen pintaan nähden.

Kun ajat sisään uuttaa laikkaa, älä käytä hiomakonetta hioaksesi eteenpäin, koska tällöin laikka voi leikata työkalupaleeseen. Sitten kun laikan reuna on pyörästynyt käytössä, konetta voidaan käyttää sekä eteenpäin että taaksepäin.

## Hiovan katkaisulaikan/timanttilaikan käyttäminen

### Lisävaruste

▲**VAROITUS:** Varmista hiomakatkaisu-/timanttilaikkaa käyttäessäsi, että käytät ainoastaan katkaisulaikoille tarkoitettua erikoislaikansuojusta.

(Joissakin Euroopan maissa voidaan käyttää timanttilaikan kanssa tavallista suojusta. Noudata oman maasi määräyksiä.)

▲**VAROITUS:** ÄLÄ KOSKAAN käytä katkoloikkaa sivun hiontaan.

▲**VAROITUS:** Älä anna laikan juuttua kiinni tai työnnä sitä liiallisella voimalla. Älä yritä tehdä liian syvää uraa. Laikan liiallinen painaminen voi aiheuttaa laikan kiertymisen tai juuttumisen, takapotkun, laikan rikkoutumisen tai moottorin ylikuumentumisen.

▲**VAROITUS:** Älä aloita leikkaamista työkalu kiinni työstettävässä kappaleessa. Anna laikan saavuttaa täysi nopeus ja aseta se varovasti leikkattavaan kohtaan työntämällä työkalua eteenpäin työstettävän kappaleen pinnan yli. Laikka saattaa juuttua, nousta ylös tai potkaista takaisin, jos työkalu käynnistetään kiinni työstettävässä kappaleessa.

▲**VAROITUS:** Leikkaustoiminnan aikana, älä koskaan vaihda laikan kulmaa. Jos sijoitat katkaisulaikkaa sivupainetta (kuten hiomisen aikana), se voi aiheuttaa laikan murtumisen ja katkeamisen, mikä voi aiheuttaa henkilövamman.

▲**VAROITUS:** Timanttilaikkaa on pidettävä koh-tisuorassa leikattavaan materiaaliin nähden.

- **Kuva17:** 1. Lukkomutteri 2. Hiova katkaisulaikka/timanttilaikka 3. Sisälaippa 4. Hiovan katkaisulaikan/timanttilaikan suojus

Noudata asennuksessa upotetulla navalla varustetun laikan ohjeita.

Sisälaipan ja lukkomutterin kiinnityssuunta vaihtelee laikan tyyppin ja paksuuden mukaan.

Katso yksityiskohtia seuraavista kuvista.

## 100 mm malli

Hiovan katkaisulaikan asennus:

- **Kuva18:** 1. Lukkomutteri 2. Hiova katkaisulaikka (ohuempi kuin 4 mm) 3. Hiova katkaisulaikka (4 mm tai paksumpi) 4. Sisälaippa

Timanttilaikan asennus:

- **Kuva19:** 1. Lukkomutteri 2. Timanttilaikka (ohuempi kuin 4 mm) 3. Timanttilaikka (4 mm tai paksumpi) 4. Sisälaippa

## 115 mm / 125 mm malli

### Hiovan katkaisulaikan asennus:

- **Kuva20:** 1. Lukkomutteri 2. Hiova katkaisulaikka (ohuempi kuin 4 mm) 3. Hiova katkaisulaikka (4 mm tai paksumpi) 4. Sisälaippa

### Timanttilaikan asennus:

- **Kuva21:** 1. Lukkomutteri 2. Timanttilaikka (ohuempi kuin 4 mm) 3. Timanttilaikka (4 mm tai paksumpi) 4. Sisälaippa

## Teräskuppiharjan käyttö

### Lisävaruste

**▲HUOMIO:** Tarkista harjan toiminta käyttämällä työkalua ilman kuormitusta. Varmista, ettei kukaan ole harjan tiellä.

**▲HUOMIO:** Älä käytä harjaa, jos se on vaurioitunut tai epätasapainossa. Vaurioituneen harjan käyttäminen voi aiheuttaa loukkaantumisvaaran katkenneiden harjasten takia.

- **Kuva22:** 1. Teräskuppiharja

Irrota akku työkalusta ja käännä työkalu ylösalaisin, jotta pääset hyvin käsiksi karaan. Poista karassa mahdollisesti olevat lisävarusteet. Kierrä teräskuppiharja karaan ja kiristä se työkalun mukana toimitettavalla avaimella.

**HUOMAUTUS:** Vältä liiallista painamista, koska se voi aiheuttaa harjasten liiallista taipumista harjaa käytettäessä. Se voi aiheuttaa ennenaikaisen rikkoutumisen.

## Teräsharjalaikan käyttäminen

### Lisävaruste

**▲HUOMIO:** Tarkista teräsharjalaikan toiminta käyttämällä työkalua ilman kuormitusta. Varmista, ettei kukaan ole teräsharjalaikan tiellä.

**▲HUOMIO:** Älä käytä teräsharjalaikkaa, jos se on vaurioitunut tai epätasapainossa. Vaurioituneen teräsharjalaikan käyttäminen voi aiheuttaa loukkaantumisvaaran katkenneiden harjasten takia.

**▲HUOMIO:** Käytä teräsharjalaikan kanssa AINA suojusta. Varmista, että laikka mahtuu suojuksen sisäpuolelle. Laikka voi hajota käytössä, joten suojuus vähentää henkilövahingon riskiä.

- **Kuva23:** 1. Teräsharjalaikka

Irrota akku työkalusta ja käännä työkalu ylösalaisin, jotta pääset hyvin käsiksi karaan. Poista karassa mahdollisesti olevat lisävarusteet. Kiinnitä teräsharjalaikka karaan ja kiristä se avaimilla.

**HUOMAUTUS:** Vältä liiallista painamista, koska se voi aiheuttaa harjasten liiallista taipumista harjalaikkaa käytettäessä. Se voi aiheuttaa ennenaikaisen rikkoutumisen.

## KUNNOSSAPITO

**▲HUOMIO:** Varmista aina ennen tarkastusta tai huoltoa, että työkalu on sammutettu ja akku irrotettu.

**HUOMAUTUS:** Älä koskaan käytä bensiiniä, ohenteita, alkoholia tai tms. aineita. Muutoin pinta voi halkeilla tai sen värit ja muoto voivat muuttua. Muutoin laitteeseen voi tulla värjäytyymiä, muodon vääristymiä tai halkeamia.

## Ilma-aukkojen puhdistaminen

Kone ja sen ilma-aukot on pidettävä puhtaina. Puhdista koneen ilma-aukot säännöllisesti tai aina kun ne alkavat tukkeutua.

- **Kuva24:** 1. Ilman poistoaukko 2. Ilman tuloaukko

Varmista ilman tasainen kierto irrottamalla pölysuojus ilmanottoaukosta ja puhdistamalla se.

- **Kuva25:** 1. Pölysuojus

**HUOMAA:** Puhdista pölysuojus, jos se on vierasainneiden tukkima. Työn jatkaminen tukkeutunutta pölysuojusta käyttäen voi vaurioittaa työkalua.

# LISÄVARUSTEET

**⚠HUOMIO:** Seuraavia lisävarusteita tai laitteita suositellaan käytettäväksi tässä ohjeessa kuvatun Makita-työkalun kanssa. Muiden lisävarusteiden tai laitteiden käyttö voi aiheuttaa henkilövahinkoja. Käytä lisävarusteita ja -laitteita vain niiden käyttötarkoituksen mukaisesti.

Jos tarvitset apua tai yksityiskohtaisempia tietoja seuraavista lisävarusteista, ota yhteys paikalliseen Makitan huoltoon.

- Aito Makitan akku ja laturi
- ▶ **Kuva26**

-	100 mm malli	115 mm malli	125 mm malli
1	Kahva 36		
2	Laikan suojus (hiomalaikalle)		
3	Sisälaippa		
4	Upotetulla navalla varustettu laikka / lamelli-laikka		
5	Lukkomutteri		
6	Varatyyny		
7	Joustolaikka		
8	Sisempi laippa ja kumityyny 76	Kumityyny 100	Kumityyny 115
9	Hiomalaikka		
10	Hionnan lukkomutteri		
11	Teräsharjalaikka		
12	Teräskuppiharja		
13	Laikan suojus (katkaisulaikalle) *1		
14	Hiova katkaisulaikka / timanttilaikka		
-	Lukkomutteriavain		

**HUOMAA:** \*1 Joissakin Euroopan maissa timanttilaikkaa käytettäessä voidaan käyttää tavallista suojusta molemmat puolet peittävän erikoislaikan sijaan. Noudata oman maasi määräyksiä.

**HUOMAA:** Jotkin luettelossa mainitut varusteet voivat sisältyä työkalun toimitukseen vakiovarusteina. Ne voivat vaihdella maittain.

## SPECIFIKĀCIJAS

Modelis:		DGA408	DGA458	DGA508
Slīpripas diametrs		100mm (4collas)	115mm (4-1/2collas)	125mm (5collas)
Maks. slīpripas biezums		6,4mm		
Vārpstas vītne		M10	M14 vai 5/8collas (dažādām valstīm atšķiras)	
Nominālais ātrums (n)		8 500min <sup>-1</sup>		
Kopējais garums	Ar akumulatora kasetni BL1815N, BL1820, BL1820B	348mm		
	Ar akumulatora kasetni BL1830, BL1830B, BL1840, BL1840B, BL1850, BL1850B, BL1860B	362mm		
Tirsvars	Ar akumulatora kasetni BL1815N, BL1820, BL1820B	2,2kg	2,4kg	
	Ar akumulatora kasetni BL1830, BL1830B, BL1840, BL1840B, BL1850, BL1850B, BL1860B	2,5kg	2,6kg	
Nominālais spriegums		Līdzstrāva 18 V		

- Nepārtrauktās izpētes un izstrādes programmas dēļ šeit uzrādītās specifikācijas var tikt mainītas bez brīdinājuma.
- Specifikācijas un akumulatora kasetne var atšķirties dažādās valstīs.
- Svārs ar akumulatora kasetni saskaņā ar EPTA-Procedure 01/2003

### Paredzētā lietošana

Šis darbarīks paredzēts metāla un akmeņu slīpēšanai, smalkai slīpēšanai un griešanai bez ūdens izmantošanas.

### Trokšņa līmenis

Tipiskais A svērtais trokšņa līmenis noteikts saskaņā ar EN60745:

#### Modelis DGA458

Skaņas spiediena līmeni ( $L_{pA}$ ): 80 dB (A)

Mainīgums (K): 3 dB (A)

#### Modelis DGA508

Skaņas spiediena līmeni ( $L_{pA}$ ): 79 dB (A)

Mainīgums (K): 3 dB (A)

Darbības laikā trokšņa līmenis var pārsniegt 80 dB (A).

**BRĪDINĀJUMS:** Lietojiet ausu aizsargus.

### Vibrācija

Vibrācijas kopējā vērtība (trīsas vektora summa) noteikta atbilstoši EN60745:

#### Modelis DGA458

Darba režīms: virsmas slīpēšana ar parastu sānu rokturi

Vibrācija ( $a_{h,AG}$ ): 5,5 m/s<sup>2</sup>

Mainīgums (K): 1,5 m/s<sup>2</sup>

Darba režīms: virsmas slīpēšana ar pretvibrācijas sānu rokturi

Vibrācija ( $a_{h,AG}$ ): 5,0 m/s<sup>2</sup>

Mainīgums (K): 1,5 m/s<sup>2</sup>

Darba režīms: slīpēšana ar ripu, ar parastu sānu rokturi

Vibrācija ( $a_{h,DS}$ ): 2,5 m/s<sup>2</sup> vai mazāk

Mainīgums (K): 1,5 m/s<sup>2</sup>

Darba režīms: slīpēšana ar ripu, ar pretvibrācijas sānu rokturi

Vibrācija ( $a_{h,DS}$ ): 2,5 m/s<sup>2</sup> vai mazāk

Mainīgums (K): 1,5 m/s<sup>2</sup>

#### Modelis DGA508

Darba režīms: virsmas slīpēšana ar parastu sānu rokturi

Vibrācija ( $a_{h,AG}$ ): 6,0 m/s<sup>2</sup>

Mainīgums (K): 1,5 m/s<sup>2</sup>

Darba režīms: virsmas slīpēšana ar pretvibrācijas sānu rokturi

Vibrācija ( $a_{h,AG}$ ): 5,5 m/s<sup>2</sup>

Mainīgums (K): 1,5 m/s<sup>2</sup>

Darba režīms: slīpēšana ar ripu, ar parastu sānu rokturi

Vibrācija ( $a_{h,DS}$ ): 2,5 m/s<sup>2</sup> vai mazāk

Mainīgums (K): 1,5 m/s<sup>2</sup>

Darba režīms: slīpēšana ar ripu, ar pretvibrācijas sānu rokturi

Vibrācija ( $a_{h,DS}$ ): 2,5 m/s<sup>2</sup> vai mazāk

Mainīgums (K): 1,5 m/s<sup>2</sup>

**PIEŽĪME:** Paziņotā vibrācijas emisijas vērtība noteikta atbilstoši standarta pārbaudes metodei un to var izmantot, lai salīdzinātu vienu darbarīku ar citu.

**PIEŽĪME:** Paziņoto vibrācijas emisijas vērtību arī var izmantot iedarbības sākotnējā novērtējumā.

**▲BRĪDINĀJUMS:** Reāli lietojot elektrisko darbarīku, vibrācijas emisija var atšķīrties no paziņotās emisijas vērtības atkarībā no darbarīka izmantošanas veida.

**▲BRĪDINĀJUMS:** Lai aizsargātu lietotāju, nosakiet drošības pasākumus, kas pamatoti ar iedarbību reālos darba apstākļos (ņemot vērā visus ekspluatācijas cikla posmus, piemēram, laiku, kamēr darbarīks ir izslēgts un kad darbojas tukšgaitā, kā arī palaides laiku).

**▲BRĪDINĀJUMS:** Paziņoto vibrācijas emisijas vērtību izmanto galvenajām mehānizētā darbarīka darbībām. Taču, ja darbarīku izmanto citām darbībām, vibrācijas emisijas vērtība var būt atšķirīga.

## EK Atbilstības deklarācija

### Tikai Eiropas valstīm

Makita paziņo, ka šāds instruments(-i):

Mašīnas nosaukums: Bezvada leņķa slīpmašīna  
Modeļa Nr./tips: DGA458, DGA508

Atbilst sekojošām Eiropas Direktīvām: 2006/42/EC  
Ražots saskaņā ar šādu standartu vai normatīvajiem dokumentiem: EN60745

Tehniskā lieta saskaņā ar 2006/42/EC ir pieejama:  
Makita, Jan-Baptist Vinkstraat 2, 3070, Beļģija  
11.8.2015



Yasushi Fukaya

Direktors

Makita, Jan-Baptist Vinkstraat 2, 3070, Beļģija

## Vispārīgi elektrisko darbarīku drošības brīdinājumi

**▲BRĪDINĀJUMS:** Izlasiet visus drošības brīdinājumus un visus norādījumus. Brīdinājumu un norādījumu neievērošanas gadījumā var rasties elektriskās strāvas trieciens, ugunsgrēks un/vai nopietnas traumas.

## Glabājiet visus brīdinājumus un norādījumus, lai varētu tajos ieskatīties turpmāk.

Termins „elektrisks darbarīks” brīdinājumos attiecas uz tādu elektrisko darbarīku, ko darbina ar elektrību (ar vadu), vai tādu, ko darbina ar akumulatoru (bez vada).

## Drošības brīdinājumi bezvada slīpmašīnas lietošanai

Drošības brīdinājumi, kas vienādi attiecas uz slīpēšanas, smalkās slīpēšanas, tīrīšanas ar stiepli suku vai abrazīvas griešanas darbībām:

1. Šo mehānizēto darbarīku paredzēts izmantot slīpēšanai, smalkai slīpēšanai, tīrīšanai ar stiepli suku vai griešanai. Izlasiet visus drošības brīdinājumus, instrukcijas, apskatiet ilustrācijas un tehniskos datus mehānizētā darbarīka komplektā. Ja netiek ievēroti visi tālāk minētie noteikumi, var tikt izraisīta elektrot trauma, notikt aizdegšanās un/vai rasties smagas traumas.

2. Ar šo mehānizēto darbarīku nav ieteicams veikt tādas darbības kā pulēšana. Tādu darbību veikšana, kam šis mehānizētais darbarīks nav paredzēts, var būt bīstama un radīt traumas.
3. Lietojiet tikai darbarīka ražotāja īpaši izgatavotos un ieteiktos piederumus. Kaut arī piederumu ir iespējams piestiprināt pie mehānizētā darbarīka, tā lietošana nav droša.
4. Piederuma nominālajam ātrumam jābūt vismaz identiskam ar maksimālo ātrumu, kas atzīmēts uz mehānizētā darbarīka. Piederumi, kas griežas ātrāk par nominālo ātrumu, var salūzt un tikt izsviesti.
5. Piederuma ārējām diametram un biežumam jābūt mehānizētā darbarīka jaudas robežās. Nepareiza izmēra piederumus nav iespējams pietiekami uzmanīt vai vadīt.
6. Piederumu stiprinājuma vītnei jāatbilst slīpmašīnas vārpstas vītnei. Piederumu, kurus piestiprina aiz atlokjiem, ass atvērī jāatbilst atloka uzstādīšanas diametram. Piederumi, kas neatbilst mehānizētā darbarīka stiprinājumiem, kļūst nestabili, pārmērīgi vibrēs un var izraisīt vadības zaudēšanu.
7. Neizmantojiet bojātu piederumu. Pirms katras lietošanas pārbaudiet, vai piederumos, piemēram, abrazīvajās rīpās nav plaisu, pīsumu, atbalsta plāksne nav saplaisājusi, saplēsta vai pārmērīgi nolietota, un stiepli sukā nav vajlgju vai salūzušu stieplju. Ja mehānizētais darbarīks nokrīt, pārbaudiet, vai nav radušies bojājumi, vai uzstādiet nebojātu piederumu. Pēc piederuma pārbaudes un uzstādīšanas atkāpieties pats un lieciet visiem klātesošajiem atkāpieties no piederuma rotācijas plaknes, un vienu minūti darbiniet mehānizēto darbarīku bez slodzes ar maksimālo ātrumu. Bojāti piederumi šādas pārbaudes laikā parasti salūst.
8. Izmantojiet individuālos aizsarglīdzekļus. Atkarībā no veicamā darba valkājiet sejas aizsargu, aizsargbrilles vai brilles. Ja nepieciešams, valkājiet putekļu masku, ausu aizsargus, cimdus un darba priekšautu, kas aiztur mazas abrazīvas vai materiāla daļiņas. Acu aizsardzības aprīkojumam jāspēj aizturēt lidojošos grūžus, kas rodas dažādu darbu veikšanas laikā. Putekļu maskai vai respiratoram jāaiztur darba laikā radušās daļiņas. Ilgstoši pakļaujot sevi ļoti intensīvam troksnim, var rasties dzirdes zudums.
9. Gādājiet, lai apkārtējie atstātos drošā attālumā no darba vietas. Ikvienam, kas atrodas darba vietā, jāizmanto individuālie aizsarglīdzekļi. Apstrādājamā materiāla vai bojāta piederuma daļiņas var tikt izsviestas un traumēt cilvēkus darba vietas tuvumā.
10. Strādājot mehānisko darbarīku turiet aiz izolētajām satveršanas virsmām, ja griešanas darbarīks varētu saskarties ar neredzamu elektroiinstalāciju. Saskare ar vadu zem sprieguma var spriegumu novadīt uz mehānizētā darbarīka metāla daļām, bet operators var saņemt elektriskās strāvas triecienu.
11. Nekādā gadījumā nenolieciet mehānizēto darbarīku, pirms tas nav pilnībā apstājies. Rotējošais piederums var aizķert virsmu un izraut mehānizēto darbarīku jums no rokām.

12. **Nedarbiniet mehanizēto darbarīku, to pārnēsājot.** Ja apgērbis nejausi pieskaras rotējošajam piederumam, tas var tikt satverts, iespējot piederumu miesā.
13. **Regulāri tīriet mehanizētā darbarīka ventilācijas atveres.** Motora ventilators ievēl putekļus korpusā un pārmērīga sīku metāla daļiņu uzkrāšanās var izraisīt elektrosistēmas bojājumus.
14. **Mehanizēto darbarīku nedrīkst darbināt ugunsnedrošu materiālu tuvumā.** Dzirksteles var aizdedzināt šos materiālus.
15. **Nelietojiet tādus piederumus, kam vajadzīgi dzesēšanas šķidrumi.** Lietojot ūdeni vai citus dzesēšanas šķidrumus, var gūt nāvējošu elektrottraumu vai elektriskās strāvas triecienu.
2. **Rīpas ar ieliektu centru slīpēšanas virsmai jāatrodas zemāk par aizsargatloka malu.** Nepareizi piestiprināta rīpa, kas izvīrās no aizsargatloka malas plaknes, nav pietiekami aizsargājama.
3. **Aizsargam jābūt stingri piestiprinātam pie mehanizētā darbarīka un novietotam maksimāli drošībai, lai operatora virzienā ir atsegtā mazākā rīpas daļa.** Aizsargs palīdz aizsargāt operatoru no salūzušas rīpas daļām un nejaušas saskares ar slīpripu un dzirkstelēm, kas var aizdedzināt apgērbu.
4. **Slīprīpas jāizmanto tikai tām ieteicamajiem darbiem. Piemēram: neslīpējiet ar griešanas rīpas malu.** Abrazīvas griešanas rīpas paredzētas perifēri slīpēšanai, tāpēc, ja uz šīm rīpām iedarbojas sānu spēks, tās var salūzt.

#### Atsitiens un ar to saistīti brīdinājumi

Atsitiens ir pēkšņa reakcija uz rotējošās rīpas iespiešanu vai aizķeršanos, balsta paliktņi, suku vai kādu citu piederumu. Iespūšana vai aizķeršanās izraisa pēkšņu rotējošā piederuma apstāšanos, kas savukārt saskares brīdī izraisa nevadāmu mehanizētā darbarīka grūdienu pretēji tā rotācijas virzienam.

Ja abrazīvā slīprīpa, piemēram, aizķeras vai iesprūst apstrādājamā materiālā, slīprīpas mala, kas nokļūst iesprūšanas vietā, var iespieties materiāla virsmā, liekot slīprīpai izvīrties vai atlēkt. Slīprīpa saskares brīdī var izlēkt operatora virzienā vai prom no viņa, atkarībā no slīprīpas kustības virziena. Šādos gadījumos abrazīvās slīprīpas var arī salūzt.

Atsitiens rodas darbarīka nepareizas lietošanas un/vai nepareizas darbības vai apstākļu rezultātā, un no tā var izvairīties, veicot piemērotus drošības pasākumus, kā norādīts tālāk.

1. **Saglabājiet ciešu darbarīka tvērienu un novietojiet kermeni un rokas tā, lai pretotos atsitienu spēkam.** Lai maksimāli kontrolētu atsitienu (iedarbības laiku) vai griezes momentu, vienmēr lietojiet palīgrokturi, ja tāds ir. Operators var savaldīt griezes momenta reakciju vai atsitienu spēku, ja veic atbilstošus piesardzības pasākumus.
2. **Nekad nenovietojiet roku rotējošā piederuma tuvumā.** Piederums var radīt atsitienu, trāpot rokas.
3. **Neviena jūsu ķermeņa daļa nedrīkst atrasties ceļā, kur atsitienu gadījumā pārvietosies mehanizētais darbarīks.** Atsitiens iekēršanās gadījumā grūdis darbarīku no iekēršanās vietas slīprīpas kustībai pretējā virzienā.
4. **Īpaši uzmanieties, apstrādājot stūrus, asas malas u.c. Nepieļaujiet piederuma atlēkšanu un aizķeršanos.** Stūri, asas malas vai atlēkšana parasti izraisa rotējošā piederuma aizķeršanos un var radīt kontroles zaudēšanu vai atsitienu.
5. **Nepievienojiet ķēdes zāga kokgriezum asmeni vai zobaino zāga asmeni.** Šādi asmeņi izraisa biežus atsitienu un vadības zaudēšanu.

#### Drošības brīdinājumi tieši slīpēšanas un abrazīvas griešanas darbībām:

1. **Izmantojiet tikai savam mehanizētajam darbarīkam ieteicamos rīpu veidus un īpašos aizsargus, kas paredzēti izvēlētajai rīpai.** Rīpas, kam mehanizētais darbarīks nav paredzēts, nevar pienācīgi aizsargāt, tāpēc tās nav drošas.

2. **Rīpas ar ieliektu centru slīpēšanas virsmai jāatrodas zemāk par aizsargatloka malu.** Nepareizi piestiprināta rīpa, kas izvīrās no aizsargatloka malas plaknes, nav pietiekami aizsargājama.
3. **Aizsargam jābūt stingri piestiprinātam pie mehanizētā darbarīka un novietotam maksimāli drošībai, lai operatora virzienā ir atsegtā mazākā rīpas daļa.** Aizsargs palīdz aizsargāt operatoru no salūzušas rīpas daļām un nejaušas saskares ar slīpripu un dzirkstelēm, kas var aizdedzināt apgērbu.
4. **Slīprīpas jāizmanto tikai tām ieteicamajiem darbiem. Piemēram: neslīpējiet ar griešanas rīpas malu.** Abrazīvas griešanas rīpas paredzētas perifēri slīpēšanai, tāpēc, ja uz šīm rīpām iedarbojas sānu spēks, tās var salūzt.
5. **Vienmēr izmantojiet nebojātus, izvēlētajai rīpai atbilstošu izmēra un formas rīpas atlokus.** Atbilstoši slīprīpas atloki balsta slīpripu, tādējādi samazinot tās salūšanas iespēju. Nogriešanas rīpu atloki var atšķīrties no slīpēšanai paredzēto rīpu atlokiem.
6. **Neizmantojiet nodilušas lielāku mehanizēto darbarīku rīpas.** Lielākiem mehanizētajiem darbarīkiem paredzētās rīpas nav piemērotas mazāka darbarīka lielākajam ātrumam, tās var sabrukt.

#### Papildu drošības brīdinājumi tieši abrazīvas griešanas darbībām:

1. **Neļaujiet griezējīrai iesprūst, neizmantojiet pārmērīgu spiedienu. Negrieziet pārāk dziļi.** Rīpas pārslugošana palielina slodzi, rīpas sašķiešanās vai iekēršanās griezumā, atsitienu vai slīprīpas salūšanas iespējamību.
2. **Neostājieties vienā līnijā ar rotējošo rīpu un aiz tās.** Kad darba laikā rīpas pārvietojas virzienā prom no jūsu ķermeņa, iespējams atsitiens var grūst rotējošo rīpu un mehanizēto darbarīku tieši jūsu virzienā.
3. **Kad darba vietā rīpas pārvietojas virzienā prom no operatora ķermeņa, iespējams atsitiens rotējošo rīpu un mehanizēto darbarīku var grūst tieši operatora virzienā.** Nekādā gadījumā nemēģiniet izņemt griezējīru no griezuma, kad rīpa vēl griežas, lai netiktu izraisīts atsitiens. Pārbaudiet un veiciet attiecīgus pasākumus, lai novērstu rīpas iekēršanās ceļojus.
4. **Neatsāciet griešanu, darbarīkam atrodoties apstrādājamā materiālā.** Ļaujiet rīpai sasniegt pilnu ātrumu un tad uzmanīgi atkal ievietojiet to griezumā. Slīprīpa var iekīrties, izvīrties augšup vai atlēkt, ja mehanizētais darbarīks tiek atkal iedarbināts, atrodoties apstrādājamajā virsmā.
5. **Atbalstiet paneļus un visus lielos apstrādājamos materiālus, lai samazinātu slīprīpas iesprūšanas un atsitienu bīstamību.** Lielī apstrādājamie materiāli bieži vien ieliecas sava svara dēļ. Balsti jānovieto abās slīprīpas pusēs zem apstrādājamās virsmas, griezuma līnijas tuvumā un tuvu apstrādājamās virsmas malai.
6. **Esiet īpaši uzmanīgs, veicot „nišas griezumus” jau esošajās sienās vai citās aizsegtās vietās.** Caururbjošā slīprīpa var pārgriezt gāzes vai ūdens caurules, elektrības vadus vai priekšmetus, kas var izraisīt atsitienu.



## Drošības brīdinājumi tieši smalkajai slīpēšanai:

1. Neizmantojiet pārāk lielu slīpēšanas ripas papīru. Izvēloties smilšpapīru smalkajai apstrādei, ievērojiet ražotāja ieteikumus. Par slīpēšanas pamatni lielāks smilšpapīrs rada plūsuma briesmas, jo ripa var iekerties, plīst vai izraisīt atsienu.

## Drošības brīdinājumi apstrādei ar stieplu suku:

1. Nemiet vērā, ka stieplu sari tiek izviesīti no sukas pat parastas darbības laikā. Nepārslodojiet stieples, pieliekot sukai pārmērīgu spēku. Stieplu sari var ātri caursist vieglus audumus un/vai ādu.
2. Ja apstrādei ar stieplu suku ieteikts izmantot aizsargu, nepieļaujiet stieplu ripas vai sukas saskari ar aizsargu. Darba slodzes un centrālās daļes spēku iedarbībā stieplu ripai vai sukai var palielināties diametrs.

## Papildu drošības brīdinājumi:

1. Lietojot slīpripas ar ieliektu jeb iedzilinātu centru, noteikti izmantojiet tikai slīpripas ar stikla šķiedras armatūru.
2. Šai slīpmašīnai NEKAD NEUZSTĀDIET kausveida akmens ripu. Šī slīpmašīna nav paredzēta šāda veida ripām, un to izmantošana var radīt smagas traumas.
3. Uzmaniēties, lai nesabojātu vārpstu, atloku (it īpaši uzstādīšanas virsmu) un kontruzgriezni. Šo detaļu bojājums var izraisīt ripas salūšanu.
4. Pārliecinieties, ka slīpripa nepieskaras apstrādājamaļai virsmai pirms slēdža ieslēgšanas.
5. Pirms lietot darbarīku materiāla apstrādei, izslācīti darbiniet to bez slodzes. Pievērsiet uzmanību tam, vai nav novērojama vibrācija vai svārstības, kas var norādīt uz nekvalitatīvu uzstādīšanu vai nepareizi līdzsvarotu slīpripu.
6. Lai slīpētu, izmantojiet tam paredzēto slīpripas virsmu.
7. Neatstājiet darbarīku ieslēgtu. Darbiniet darbarīku vienīgi tad, ja turat to rokās.
8. Neskarieties pie apstrādājamas detaļas tūlīt pēc darba izpildes; tā var būt ārkārtīgi karsta un apdedzināt ādu.
9. Ievērojiet ražotāja norādījumus slīpripu pareizai montāžai un lietošanai. Rīkojieties ar slīpripām uzmanīgi un uzglabājiet tās rūpīgi.
10. Neizmantojiet atsevišķus samazinošus ieliktnus vai pārejas, lai pielāgotu abrazīvās slīpripas ar liela diametra atveri.
11. Izmantojiet tikai šim darbarīkam paredzētus atlokus.
12. Darbarīkiem, kuri paredzēti lietošanai ar vītņotu slīpripu, pārliecinieties, ka slīpripas vītnes garums atbilst vārpstas garumam.
13. Pārbaudiet, vai apstrādājamā detaļa ir pienācīgi atbalstīta.
14. Nemiet vērā, ka slīpripa turpina griezties arī pēc darbarīka izslēgšanas.
15. Ja darba vietā ir ārkārtīgi augsta temperatūra un liels mitrums, vai tā ir stipri piesārņota ar vadītspējīgiem putekļiem, izmantojiet īssavienojuma pārtraucēju (30 mA), lai garantētu operatora drošību.

16. Neizmantojiet darbarīku tādu materiālu apstrādei, kas satur azbestu.
17. Lietojot griezējipripas, vienmēr izmantojiet ripas aizsargu ar putekļu savācēju, ko prasa vietēja likumdošana.
18. Griešanas ripas nedrīkst pakļaut jebkādam sānu spiedienam.
19. Strādājot nelietojiet auduma darba cimdus. Šķiedras no auduma cimdkiem var iekļūt darbarīkā, izraisot darbarīka bojājumus.

## SAGLABĀJIET ŠOS NORĀDĪJUMUS.

**▲BRĪDINĀJUMS:** NEPIEĻAUJIET to, ka labu iemaņu vai izstrādājuma labas pārzināšanas (darbarīku atkārtoti ekspluatējot) rezultātā vairs stingri neievērojāt šī izstrādājuma drošības noteikumus. NEPAREIZI LIETOJOT darbarīku vai neievērojot šajā instrukciju rokasgrāmatā minētos drošības noteikumus, var tikt gūtas smagas traumas.

## Svarīgi drošības norādījumi par akumulatora kasetni

1. Pirms akumulatora lietošanas izlasiet visus norādījumus un brīdinājumus, kuri attiecas uz (1) akumulatora lādētāju, (2) akumulatoru un (3) ierīci, kurā tiek izmantots akumulators.
2. Neizjauciet akumulatoru.
3. Ja akumulatora darbības laiks kļūva ievērojami īsāks, nekavējoties pārtrauciet to izmantot. Citādi, tas var izraisīt pārkarsējumu, uzliesmojumu vai pat sprādzienu.
4. Ja elektrolīts nonāk acīs, izskalojiet tās ar tīru ūdens un nekavējoties griezties pie ārsta. Tas var izraisīt redzes zaudēšanu.
5. Neradiet īssavienojumu akumulatora kasetnē:
  - (1) Nepieskarieties spaiļiem ar elektrību vadošiem materiāliem.
  - (2) Neuzglabājiet akumulatoru kasetni kopā ar citiem metāla priekšmetiem, tādiem kā naglas, monētas u. c.
  - (3) Nepakļaujiet akumulatora kasetni ūdens vai lietus iedarbībai.Akumulatora īssavienojums var radīt spēcīgu strāvas plūsmu, pārkaršanu, uzliesmojumu un pat sabojāt akumulatoru.
6. Neglabājiet darbarīku un akumulatora kasetni vietās, kur temperatūra var sasniegt vai pārsniegt 50 °C (122 °F).
7. Nededziniet akumulatora kasetni, pat ja tā ir stipri bojāta vai pilnībā nolietota. Akumulatora kasetne ugunī var eksplodēt.
8. Uzmaniēties, lai neļautu akumulatoram nokrist un nepakļautu to sitienam.
9. Neizmantojiet bojātu akumulatoru.
10. Uz izmantotajiem litiņa jonu akumulatoriem attiecas likumdošanas prasības par bīstamiem izstrādājumiem.

Komerציאלā transportēšanā, ko veic, piemēram, trāsās pusēs, transporta uzņēmumi, jāievēro uz iesaiņojuma un marķējuma norādītās īpašās prasības.

Lai izstrādājumu sagatavotu nosūtīšanai, jāsaziņās ar bīstamo materiālu speciālistu. Ievērojiet arī citus attiecināmos valsts normatīvus. Vaļējus kontaktus nosedziet ar līmlenti vai citādi pārklājiet, bet akumulatoru iesaiņojiet tā, lai sainītas nevarētu izkustēties.

11. Ievērojiet vietējos noteikumus par akumulatora likvidēšanu.

## SAGLABĀJIET ŠOS NORĀDĪJUMUS.

**⚠UZMANĪBU:** Lietojiet tikai oriģinālos Makita akumulatorus. Ja lietojat neoriģinālus Makita akumulatorus vai pārveidotos akumulatorus, tie var uzsprāgt un izraisīt aizdegšanos, traumas un materiālos zaudējumus. Tīks anulēta arī Makita darbarīka un lādētāja garantija.

## Ieteikumi akumulatora kalpošanas laika pagarināšanai

1. Uzlādējiet akumulatora kasetni, pirms tā ir pilnībā izlādējusies. Vienmēr, kad ievērojat, ka darbarīka darba jauda zudusi, apturiet darbarīku un uzlādējiet akumulatora kasetni.
2. Nekad neuzlādējiet pilnībā uzlādētu akumulatora kasetni. Pārmērīga uzlāde saīsina akumulatora kalpošanas laiku.
3. Uzlādējiet akumulatora kasetni istabas temperatūrā 10 °C - 40 °C. Karstai akumulatora kasetnei pirms uzlādes ļaujiet atdzist.
4. Uzlādējiet litija jonu akumulatora kasetni, ja to ilgstoši nelietosit (vairāk nekā sešus mēnešus).

## FUNKCIJU APRAKSTS

**⚠UZMANĪBU:** Pirms darbarīka regulēšanas vai tā darbības pārbaudes vienmēr pārlicinieties, ka darbarīks ir izslēgts un akumulatora kasetne ir izņemta.

## Akumulatora kasetnes uzstādīšana un izņemšana

**⚠UZMANĪBU:** Vienmēr pirms akumulatora kasetnes uzstādīšanas vai noņemšanas izslēdziet darbarīku.

**⚠UZMANĪBU:** Uzstādot vai izņemot akumulatora kasetni, darbarīku un akumulatora kasetni turiet cieši. Ja darbarīku un akumulatora kasetni netur cieši, tie var izkrist no rokām un radīt bojājumus darbarīkam un akumulatora kasetnei, kā arī izraisīt ievainojumus.

- **Att.1:** 1. Sarkanās krāsas indikators 2. Poga 3. Akumulatora kasetne

Lai izņemtu akumulatora kasetni, izvelciet to no darbarīka, pārīdot kasetnes priekšpusē esošo pogu.

Lai uzstādītu akumulatora kasetni, salāgojiet mēlīti uz akumulatora kasetnes ar rievu ietvarā un iebīdiēt to vietā. Ievietojiet to līdz galam, līdz tas ar klikšķi nofiksējas. Ja pogas augšējā daļā redzams sarkanās krāsas indikators, tas nozīmē, ka tā nav pilnīgi fiksēta.

**⚠UZMANĪBU:** Vienmēr ievietojiet akumulatora kasetni tā, lai sarkanais indikators nebūtu redzams. Pretēja gadījumā tā var nejauši izkrist no darbarīka un izraisīt jums vai apkārtējiem traumas.

**⚠UZMANĪBU:** Neievietojiet akumulatora kasetni ar spēku. Ja kasetne neslīd ietvarā viegli, tā nav pareizi ielikta.

## Atlikušās akumulatora jaudas indikators

*Tikai akumulatoru kasetnēm, kuru modeļa numura beigās ir burts „B”*

- **Att.2:** 1. Indikatora lampas 2. Pārbaudes poga

Nospiediet akumulatora kasetnes pārbaudes pogu, lai pārbaudītu akumulatora atlikušo uzlādes līmeni. Indikatori iedegsies uz dažām sekundēm.

Indikatora lampas			Atlikusī jauda
Iededzies	Izslēgts	Mirgo	
			No 75% līdz 100%
			No 50% līdz 75%
			No 25% līdz 50%
			No 0% līdz 25%
			Uzlādējiet akumulatoru.
			Iespējama akumulatora kļūme.

**PIEZĪME:** Reālā jauda var nedaudz atšķirties no norādītās atkarībā no lietošanas apstākļiem un apkārtējās temperatūras.


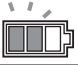
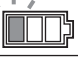

## Atlikušās akumulatora jaudas indikators

**Atkarībā no valsts**

Ieslēdzot darbarīku, akumulatora indikators rāda atlikušo akumulatora enerģiju.

- **Att.3:** 1. Akumulatora indikators

Akumulatora atlikušās enerģijas apzīmējumi redzami šajā tabulā.

Akumulatora indikatora stāvoklis			Atlikušā akumulatora jauda
Izslēgts	Izslēgts	Mirgo	
			50% - 100%
			20% - 50%
			0% - 20%
			Akumulatora uzlāde

## Darbarīka/akumulatora aizsardzības sistēma


Darbarīks ir aprīkots ar darbarīka/akumulatora aizsardzības sistēmu. Šī sistēma automātiski izslēdz jaudas padevi motoram, lai pagarinātu darbarīka un akumulatora kalpošanas laiku. Darbarīks automātiski pārstāj darboties ekspluatācijas laikā, ja darbarīku vai akumulatoru pakļaus kādam no šiem apstākļiem. Dažu apstākļu gadījumā izgaismojas indikatori.

## Aizsardzība pret pārslodzi

Ja darbarīku ekspluatācijas laikā lieto tādā veidā, ka tas saista pārmērīgu strāvu, darbarīks automātiski pārstāj darboties bez jebkādam norādēm. Šādā gadījumā izslēdziet darbarīku un pārtrauciet darbību, kas izraisa darbarīka pārslodzi. Tad ieslēdziet darbarīku, lai atsāktu darbu.

## Aizsardzība pret pārkaršanu

Kad darbarīks pārkaris, tas automātiski pārstāj darboties un akumulatora indikators rāda šeit redzamo stāvokli. Darbarīkam vispirms jāatdziest, tikai pēc tam to drīkst ieslēgt atkārtoti.

Izslēgts	Mirgo
	

Ja darbarīks neieslēdzas, akumulators, iespējams, ir pārkaris. Akumulatoram vispirms jāatdziest, tikai pēc tam darbarīku drīkst ieslēgt atkārtoti.


## Aizsardzība pret akumulatora pārmērīgu izlādi

Ja akumulatora jaudas līmenis ir zems, darbarīks automātiski pārstāj darboties. Šajā gadījumā akumulatoru izņemiet no darbarīka un uzlādējiet.

## Aizsardzības bloķētāja izslēgšana

Kad aizsardzības sistēma ieslēdzas atkārtoti, darbarīks nobloķējas un akumulatora indikators rāda šeit redzamo stāvokli.

Šādā gadījumā darbarīks nesāk darboties pat pēc izslēgšanas un ieslēgšanas. Lai izslēgtu aizsardzības bloķētāju, akumulatoru izņemiet, ievietojiet akumulatora lādētājā un nogaidiet, līdz beidzas uzlāde.

Izslēgts	Izslēgts	Mirgo
		

## Vārpstas bloķētājs

Nospiediet vārpstas bloķētāju, lai novērstu vārpstas griešanos piederumu uzstādīšanas vai noņemšanas laikā.

► **Att.4:** 1. Vārpstas bloķētājs

**IEVĒRĪBA!** Nekad neieslēdziet vārpstas bloķētāju, kad griežas vārpsta. Tas var sabojāt darbarīku.

## Slēdža darbība

**⚠UZMANĪBU:** Vienmēr pirms akumulatora kasetnes uzstādīšanas darbarīkā pārbaudiet, vai slēdža svira darbojas pareizi un pēc atlaišanas atgriežas stāvoklī "OFF" (izslēgts).

**⚠UZMANĪBU:** Slēdža sviru nespiediet ar spēku, nenospiežot atbloķēšanas sviru. Spiežot ar spēku, var sabojāt slēdzi.

Lai slēdža sviru nenospiestu nejauši, darbarīks ir aprīkots ar atbloķēšanas sviru.



Lai darbarīku iedarbinātu, atbloķēšanas sviru pavelciet virzienā pret sevi un tad nospiediet slēdža sviru.

Lai darbarīku apturētu, atlaidiet slēdža sviru.

► **Att.5:** 1. Atbloķēšanas svira 2. Slēdža svira

## Automātiskā ātruma maiņas funkcija

► **Att.6:** 1. Režīma indikators

Režīma indikatora stāvoklis	Darbības režīms
	Liela darbības ātruma režīms
	Liela griezes momenta režīms

Šim darbarīkam ir „liela ātruma režīms” un „liela griezes momenta režīms”. Tas automātiski maina ekspluatācijas režīmu atkarībā no darba slodzes. Kad ekspluatācijas laikā izgaismojas režīma indikators, darbarīkam ir ieslēgts liela griezes momenta režīms.

## Nejaušas atkārtotas ieslēgšanas nepieļaušanas funkcija

Darbarīkā iekļuvušie netīrumi vai svešķermeņi var to sabojāt.

Lai darbarīku ieslēgtu, vispirms atlaidiet slēdža sviru. Vispirms nospiediet atbloķēšanas sviru un tikai pēc tam — slēdža sviru.

## Elektroniskā griezes momenta vadības funkcija

Darbarīks elektroniski nosaka stāvokli, kad ripa vai piederums var iesprūst. Šādā gadījumā darbarīks automātiski izslēdzas, lai vārpsta vairs negrieztos (taču tas nenovērš atsitieni).

Lai atkārtoti ieslēgtu darbarīku, vispirms to izslēdziet, novērsiet darbarīka ātruma pēkšņās samazināšanās iemeslu un tad atkal ieslēdziet darbarīku.

## Pakāpeniskas jeb laidenās ieslēgšanas funkcija

Pakāpeniskas ieslēgšanas funkcija mazina iedarbināšanas reakciju.

## Elektrobremze

Elektrobremze tiek ieslēgta pēc darbarīka izslēgšanas. Bremze nedarbojas, ja barošana ir izslēgta, piemēram, tiek izņemts akumulators, kad slēdzis vēl ir ieslēgšanas stāvoklī.

## MONTĀŽA

**⚠UZMANĪBU:** Pirms darbarīka regulēšanas vai tā darbības pārbaudes vienmēr pārlicinieties, ka darbarīks ir izslēgts un akumulatora kasetne ir izņemta.

## Sānu roktura uzstādīšana (rokturis)

**⚠UZMANĪBU:** Pirms darbarīka izmantošanas vienmēr pārlicinieties, ka sānu rokturis ir uzstādīts droši.

Stingri pieskrūvējiet sānu rokturi pie darbarīka, kā parādīts attēlā.

► Att.7

## Slīpripas aizsarga uzstādīšana vai noņemšana (slīpripa ar ieliktu centru, plākšņu diska, lokanā ripa, stieplu sukas ripa/abrazīva griezējripa, dimanta ripa)

**⚠BRĪDINĀJUMS:** Izmantojot slīpripas ar ieliktu centru, plākšņu diska, lokanās ripas vai stieplu sukas ripas, slīpripas aizsargs jāuzstāda uz darbarīka tā, lai aizsarga slēgtā daļa vienmēr būtu vērsta pret operatoru.

**⚠BRĪDINĀJUMS:** Izmantojot abrazīvo griezējripu vai dimanta ripu, lietojiet tikai īpašu griezējripiem paredzētu ripas aizsargu.

(Dažās Eiropas valstīs, izmantojot dimanta ripu, var lietot parasto aizsargu. Ievērojiet savas valsts noteikumus.)

## Darbarīkam ar fiksācijas skrūves tipa slīpripas aizsargu

Uzstādiat slīpripas aizsargu tā, lai uz tā malas esošie izciļņi sakristu ar gultņa ieliktna robiem. Tad slīpripas aizsargu pagrieziet tādā leņķī, lai darba laikā tas aizsargātu operatoru. Pārlicinieties, ka skrūve ir cieši pievilktā.

Lai noņemtu slīpripas aizsargu, izpildiet iepriekš minētās darbības pretējā secībā.

► **Att.8:** 1. Ripas aizsargs 2. Gultņa ieliktnis 3. Skrūve

## Darbarīkam ar saspiedēja sviras tipa slīpripas aizsargu

Atlaidiet skrūvi, tad sviru pavelciet ar bultīņu norādītajā virzienā. Uzstādiat slīpripas aizsargu tā, lai uz tā malas esošie izciļņi sakristu ar gultņa ieliktna robiem. Tad slīpripas aizsargu pagrieziet tādā leņķī, lai darba laikā tas aizsargātu operatoru.

► **Att.9:** 1. Ripas aizsargs 2. Gultņa ieliktnis 3. Skrūve 4. Svira

Sviru pavelciet ar bultīņu norādītajā virzienā. Tad nostipriniet ripas aizsargu, pievelkot skrūvi. Pārlicinieties, ka skrūve ir cieši pievilktā. Slīpripas aizsarga iestatīšanas leņķi var regulēt ar sviru.

► **Att.10:** 1. Skrūve 2. Svira

Lai noņemtu slīpripas aizsargu, izpildiet iepriekš minētās darbības pretējā secībā.

## Slīpripas ar ieliktu centru vai plākšņu diska uzstādīšana un noņemšana

### Papildu piederumi

**⚠BRĪDINĀJUMS:** Izmantojot slīpripas ar ieliktu centru vai plākšņu diskus, slīpripas aizsargs jāuzstāda uz darbarīka tā, lai aizsarga slēgtā daļa vienmēr būtu vērsta operatora virzienā.

**⚠UZMANĪBU:** Pārlicinieties, ka iekšējā atloka stiprinājuma daļa precīzi iekļaujas slīpripas ar ieliktu centru vai plākšņu diska iekšējā diametrā. Ja iekšējo atloku uzstādīsiet nepareizajā pusē, var rasties bīstama vibrācija.

Iekšējo atloku uzstādiat uz vārpstas.

Iekšējā atloka ielikto daļu uzstādiat uz taisnās daļas vārpstas apakšdaļā.

Slīpripu ar ielikto centru vai plākšņu disku uzlieciet uz iekšējā atloka un pieskrūvējiet kontruzgriezni uz vārpstas.

► **Att.11:** 1. Kontruzgrieznis 2. Slīpripa ar ieliktu centru 3. Iekšējais atloks 4. Stiprinājuma daļa

Lai pievilktu kontruzgriezni, stingri nospiediet vārpstas bloķētāju, lai vārpsta negrieztos, tad ar kontruzgriežņa atslēgu stingri pievelciet to pulksteņrādītāju kustības virzienā.

► **Att.12:** 1. Kontruzgriežņa atslēga 2. Vārpstas bloķētājs

Lai slīpripu noņemtu, iepriekš norādītās darbības izpildiet pretējā secībā.

## Lokanās ripas uzstādīšana un noņemšana

### Papildu piederumi

**▲BRĪDINĀJUMS:** Ja darbarīkam izmantojat lokano ripu, vienmēr lietojiet komplektā iekļauto aizsargu. Lietošanas laikā ripa var sadrup, bet aizsargs palīdz mazināt traumu bīstamību.

► **Att.13:** 1. Kontruzgrieznis 2. Lokanā ripa 3. Balsta starplika 4. Iekšējais atloks

Ievērojiet norādījumus attiecībā uz slīpripu ar ieliektu centru; tomēr uz ripas uzlieciet arī balsta starpliku. Montāžas secību skatiet šīs rokasgrāmatas piederumu lappusē.

## Abrazīvās ripas uzstādīšana un noņemšana

### Papildu piederumi

**PIEZĪME:** Izmantojiet šajā rokasgrāmatā norādītos slīpmašīnas piederumus. Tie jāiegādājas atsevišķi.

### 100 mm modelim

► **Att.14:** 1. Smilšpapīra jeb smalkās slīpēšanas kontruzgrieznis 2. Abrazīvā ripa 3. Gumijas starplika 4. Iekšējais atloks

1. Iekšējo atloku uzstādiet uz vārpstas.
2. Uz vārpstas uzstādiet gumijas paliktni.
3. Uzstādiet ripu uz gumijas starplikas un uzskrūvējiet smilšpapīra slīpēšanas kontruzgriezni uz vārpstas.
4. Turiet vārpstu ar vārpstas bloķētāju un ar kontruzgriežņa atslēgu cieši pievelciet smilšpapīra slīpēšanas kontruzgriezni pulksteņrādītāju kustības virzienā.

Lai noņemtu ripu, izpildiet iepriekš norādītās darbības pretējā secībā.

### 115 mm/125 mm modelim

► **Att.15:** 1. Smilšpapīra jeb smalkās slīpēšanas kontruzgrieznis 2. Abrazīvā ripa 3. Gumijas starplika

1. Uz vārpstas uzstādiet gumijas paliktni.
2. Uzstādiet ripu uz gumijas starplikas un uzskrūvējiet smilšpapīra slīpēšanas kontruzgriezni uz vārpstas.
3. Turiet vārpstu ar vārpstas bloķētāju un ar kontruzgriežņa atslēgu cieši pievelciet smilšpapīra slīpēšanas kontruzgriezni pulksteņrādītāju kustības virzienā.

Lai noņemtu ripu, izpildiet iepriekš norādītās darbības pretējā secībā.

## EKSPLUATĀCIJA

**▲BRĪDINĀJUMS:** Strādājot ar darbarīku, nekad nepielieciet pārmērīgu spēku. Darbarīka svars rada pietiekamu spiedienu. Pārmērīgs spēks vai spiediens uz darbarīka var izraisīt ripas salūšanu, kas ir ļoti bīstami.

**▲BRĪDINĀJUMS:** VIENMĒR nomainiet ripu, ja slīpēšanas laikā darbarīks nokrīt.

**▲BRĪDINĀJUMS:** NEKAD nesitiet slīpripu pret apstrādājamo materiālu.

**▲BRĪDINĀJUMS:** Izvairieties no ripas lēkāšanas un iekēršanās, it īpaši stūru, asu malu utt. apstrādē. Tas var izraisīt vadības zaudēšanu un atsitienu.

**▲BRĪDINĀJUMS:** NEKĀDĀ GADĪJUMĀ neizmantojiet darbarīku ar koku zāģēšanas asmeņiem un citiem zāģu asmeņiem. Šādus asmeņus izmantojot slīpmašīnā, var rasties atsitiens, kura ietekmē var zaudēt vadību pār darbarīku un gūt traumas.

**▲UZMANĪBU:** Nekādā gadījumā neieslēdziet darbarīku, ja tas ir saskarē ar apstrādājamo materiālu, jo operators var gūt traumas.

**▲UZMANĪBU:** Darba laikā vienmēr lietojiet aizsargbrilles vai sejas aizsargu.

**▲UZMANĪBU:** Pēc darba vienmēr izslēdziet darbarīku un uzgaidiet, līdz ripa pilnīgi apstājas, pirms noliekat darbarīku.

**▲UZMANĪBU:** VIENMĒR stingri turiet darbarīku ar vienu roku aiz korpusa un ar otru aiz sānu roktura.

## Slīpēšana un līdzināšana ar smilšpapīru

► **Att.16**

Ieslēdziet darbarīku un tad nolaidiet slīpripu vai disku uz materiāla.

Slīpripas vai diska malu turiet apmēram 15 grādu leņķī pret apstrādājamo virsmu.

Jaunās slīpripas iestrādāšanas laikā nelietojiet darbarīku turpgaitas virzienā, citādi tas var iegriezties apstrādājamā materiālā. Kad slīpripas mala lietošanas gaitā ir noapaļojusies, slīpripu var izmantot darbam gan turpgaitas, gan atpakaļgaitas virzienā.

## Abrazīvās griezējriņas un dimanta riņas lietošana

### Papildu piederumi

**▲BRĪDINĀJUMS:** Izmantojot abrazīvo griezējriņu vai dimanta riņu, lietojiet tikai īpašu griezējriņām paredzētu riņas aizsargu.

(Dažās Eiropas valstīs, izmantojot dimanta riņu, var lietot parasto aizsargu. Ievērojiet savas valsts noteikumus.)

**▲BRĪDINĀJUMS:** NEKAD NELIETOJIET griezējriņu sānu slīpēšanai.

**▲BRĪDINĀJUMS:** Neļaujiet slīpīpai iesprūst; neizmantojiet pārmērīgu spiedienu. Negrieziet pārāk dziļi. Riņas pārslogošana palielina slodzi un iespēju riņai sašķībties vai aizķerties griezumā, kā arī atsitiena, riņas salūšanas un motora pārkarsēšanas iespējamību.

**▲BRĪDINĀJUMS:** Nesāciet griešanu, darbarīkam atrodoties apstrādājamajā virsmā. Ļaujiet riņai sasniegt pilnu ātrumu un uzmanīgi ievietojiet to griezumā, virzot darbarīku uz priekšu pāri apstrādājamajam materiāla virsmai. Riņa var aizķerties, iznākt no griezuma vai radīt atsitenu, ja mehānizētais darbarīks tiek iedarbināts, riņai atrodoties apstrādājamā materiālā.

**▲BRĪDINĀJUMS:** Griešanas laikā nekad nemainiet slīpīpas leņķi. Pieliekot griezējriņai sāniski vērstu spēku (piemēram, slīpējot), riņa var saplaisāt un salūzt, radot smagas traumas.

**▲BRĪDINĀJUMS:** Dimanta riņa jālieto perpendikulāri griezamajam materiālam.

► **Att.17:** 1. Kontruzgrieznis 2. Abrazīvā griezējriņa/dimanta riņa 3. Iekšējais atloks 4. Riņas aizsargs abrazīvai griezējriņai/dimanta riņai

Veicot uzstādīšanu, izpildiet norādījumus, kas paredzēti slīpīpai ar ieliektu centru.

Kontruzgriežņa un iekšējā atloka uzstādīšanas virziena maiņa atkarīga no riņas veida un biezuma. Skatiet attiecīgos parametrus.

## 100 mm modelim

### Uzstādot abrazīvo griezējriņu:

► **Att.18:** 1. Kontruzgrieznis 2. Abrazīvā griezējriņa (plānāka par 4 mm) 3. Abrazīvā griezējriņa (4 mm vai biežāka) 4. Iekšējais atloks

### Uzstādot dimanta riņu:

► **Att.19:** 1. Kontruzgrieznis 2. Dimanta riņa (plānāka par 4 mm) 3. Dimanta riņa (4 mm vai biežāka) 4. Iekšējais atloks

## 115 mm/125 mm modelim

### Uzstādot abrazīvo griezējriņu:

► **Att.20:** 1. Kontruzgrieznis 2. Abrazīvā griezējriņa (plānāka par 4 mm) 3. Abrazīvā griezējriņa (4 mm vai biežāka) 4. Iekšējais atloks

### Uzstādot dimanta riņu:

► **Att.21:** 1. Kontruzgrieznis 2. Dimanta riņa (plānāka par 4 mm) 3. Dimanta riņa (4 mm vai biežāka) 4. Iekšējais atloks

## Lietošana kopā ar kausveida stieplu suku

### Papildu piederumi

**▲UZMANĪBU:** Pārbaudiet suku darbību, darbinot darbarīku bez slodzes, un nodrošinot, lai neviens neatrastos suku priekšā vai tās rotācijas plaknē.

**▲UZMANĪBU:** Neizmantojiet bojātu un nelīdzsvarotu suku. Bojātas suku izmantošana var palielināt salauztu suku stieplu radītu traumu bīstamību.

► **Att.22:** 1. Kausveida stieplu suka

Akumulatora kasetni izņemiet no darbarīka un darbarīku atlieciet otrādi, lai viegli piekļūtu vārpstai. No vārpstas noņemiet piederumus. Kausveida stieplu suku uzskrūvējiet uz vārpstas un pievelciet ar komplekta uzgriežņatslēgu.

**IEVĒRĪBAI:** Izvairieties no pārmērīga spēka pielikšanas, kas var salocīt stieples, lietojot suku. Tas var izraisīt priekšlaicīgu salūšanu.

## Lietošana kopā ar stieplu riņas suku

### Papildu piederumi

**▲UZMANĪBU:** Pārbaudiet stieplu riņas suku darbību, darbinot darbarīku bez slodzes un nodrošinot, lai neviens neatrastos stieplu riņas suku priekšā vai tās rotācijas plaknē.

**▲UZMANĪBU:** Neizmantojiet bojātu un nelīdzsvarotu stieplu riņas suku. Bojātas stieplu riņas suku izmantošana var palielināt salauztu stieplu radītu traumu bīstamību.

**▲UZMANĪBU:** Lietojot stieplu riņas suku, VIENMĒR izmantojiet aizsargu, sekojot, lai viss riņas diametrs iekļaujas aizsargā. Lietošanas laikā riņa var sadrupt, bet aizsargs palīdz mazināt traumu bīstamību.

► **Att.23:** 1. Stieplu riņas suka

Akumulatora kasetni izņemiet no darbarīka un darbarīku atlieciet otrādi, lai viegli piekļūtu vārpstai. No vārpstas noņemiet piederumus. Stieplu riņas suku uzskrūvējiet uz vārpstas un pievelciet ar uzgriežņu atslēgām.

**IEVĒRĪBAI:** Izvairieties no pārmērīga spiediena, kas var salocīt stieples, lietojot stieplu riņas suku. Tas var izraisīt priekšlaicīgu salūšanu.

## APKOPE

**⚠UZMANĪBU:** Pirms darbarīka pārbaudes vai apkopes vienmēr pārlicinieties, ka darbarīks ir izslēgts un akumulatora kasetne ir izņemta.

**IEVĒRĪBAI:** Nekad neizmantojiet gazolinu, benzīnu, atšķaidītāju, spirtu vai līdzīgus šķidrumus. Tas var radīt izbalēšanu, deformāciju vai plaisas.

## Gaisa ventilācijas atveru tīrīšana

Gaisa ventilācijas atverēm jābūt tīrām. Regulāri tīriet darbarīka ventilācijas atveres, kā arī iekreiz, kad atveres nosprostojas.

► **Att.24:** 1. Izplūdes atvere 2. Ieplūdes atvere

No ieplūdes atveres noņemiet putekļu aizsargu un notīriet, lai gaisa cirkulācija būtu brīva.

► **Att.25:** 1. Putekļu aizsargs

**PIEZĪME:** Kad putekļu aizsargs aizsērējis ar netīrumiem vai svešķermeņiem, iztīriet to. Ja darbarīku turpina lietot ar aizsērējušu putekļu aizsargu, darbarīku var sabojāt.

## PAPILDU PIEDERUMI

**⚠UZMANĪBU:** Šādi piederumi un papildierīces tiek ieteiktas lietošanai ar šajā rokasgrāmatā aprakstīto Makita darbarīku. Izmantojot citus piederumus vai papildierīces, var tikt radīta trauma gūšanas bīstamība. Piederumu vai papildierīci izmantojiet tikai paredzētajam mērķim.

Ja jums vajadzīga palīdzība vai precīzāka informācija par šiem piederumiem, vērsieties savā tuvākajā Makita apkopes centrā.

- Makita oriģinālais akumulators un lādētājs

► **Att.26**

-	100 mm modelis	115 mm modelis	125 mm modelis
1	Rokturis 36		
2	Ripas aizsargs (slīpripai)		
3	Iekšējais atloks		
4	Slīpripa ar ieliktu centru/plāksņu disks		
5	Kontruzgrieznis		
6	Balsta starplika		
7	Lokanā ripa		
8	Iekšējais atloks un gumijas starplika 76	Gumijas starplika 100	Gumijas starplika 115
9	Abrazīvā ripa		
10	Smilšpapīra jeb smalkās slīpēšanas kontruzgrieznis		
11	Stieplu ripas suka		
12	Kausveida stieplu suka		
13	Ripas aizsargs (griezējripai) *1		
14	Abrazīvā griezējripa/dimanta ripa		
-	Kontruzgriežņa atslēga		

**PIEZĪME:** \*1 Dažās Eiropas valstīs, lietojot dimanta ripu, abas ripas puses sedzošā, īpašā aizsarga vietā var izmantot parasto aizsargu. Ievērojiet savas valsts normatīvus.

**PIEZĪME:** Daži sarakstā norādītie izstrādājumi var būt iekļauti instrumenta komplektācijā kā standarta piederumi. Tie dažādās valstīs var būt atšķirīgi.

## SPECIFIKACIJOS

Modelis:		DGA408	DGA458	DGA508
Disko skersmuo		100 mm (4 col.)	115 mm (4-1/2 col.)	125 mm (5 col.)
Didž. disko storis		6,4 mm		
Veleno sriegis		M10	M14 arba 5/8 col. (atsižvelgiant į šalį)	
Vardinis greitis (n)		8 500 min <sup>-1</sup>		
Bendrasis ilgis	Su keičiamuoju akumuliatoriumi BL1815N, BL1820, BL1820B	348 mm		
	Su keičiamuoju akumuliatoriumi BL1830, BL1830B, BL1840, BL1840B, BL1850, BL1850B, BL1860B	362 mm		
Grynasis svoris	Su keičiamuoju akumuliatoriumi BL1815N, BL1820, BL1820B	2,2 kg	2,4 kg	
	Su keičiamuoju akumuliatoriumi BL1830, BL1830B, BL1840, BL1840B, BL1850, BL1850B, BL1860B	2,5 kg	2,6 kg	
Vardinė įtampa		Nuolatinė srovė 18 V		

- Atlikame tęsinius tyrimus ir nuolat tobuliname savo gaminius, todėl čia pateikiamos specifikacijos gali būti keičiamos be įspėjimo.
- Įvairiose šalyse specifikacijos ir akumuliatoriaus kasėtė gali skirtis.
- Svoris su akumuliatoriaus kasete pagal 2003-01 EPTA procedūrą

### Numatytoji naudojimo paskirtis

Įrankis yra skirtas šlifuoti, šlifuoti šlifavimo popieriumi, metalui ir akmeniui pjauti nenaudojant vandens.

### Triukšmas

Įprastas triukšmo A lygis, nustatytas pagal EN60745:

#### Modelis DGA458

Garso slėgio lygis ( $L_{pA}$ ): 80 dB (A)

Paklaida (K): 3 dB (A)

#### Modelis DGA508

Garso slėgio lygis ( $L_{pA}$ ): 79 dB (A)

Paklaida (K): 3 dB (A)

Dirbant triukšmo lygis gali viršyti 80 dB (A).

**ĮSPĖJIMAS: Dėvėkite ausų apsaugą.**

### Vibracija

Vibracijos bendroji vertė (trიაšio vektorius suma) nustatyta pagal EN60745 standartą:

#### Modelis DGA458

Darbo režimas: paviršiaus šlifavimas su normalia šonine rankena

Vibracijos emisija ( $a_{h,AG}$ ): 5,5 m/s<sup>2</sup>

Paklaida (K): 1,5 m/s<sup>2</sup>

Darbo režimas: paviršiaus šlifavimas su antivibracine šonine rankena

Vibracijos emisija ( $a_{h,AG}$ ): 5,0 m/s<sup>2</sup>

Paklaida (K): 1,5 m/s<sup>2</sup>

Darbo režimas: diskinis šlifavimas su normalia šonine rankena

Vibracijos emisija ( $a_{h,DS}$ ): 2,5 m/s<sup>2</sup> arba mažiau

Paklaida (K): 1,5 m/s<sup>2</sup>

Darbo režimas: diskinis šlifavimas su antivibracine šonine rankena

Vibracijos emisija ( $a_{h,DS}$ ): 2,5 m/s<sup>2</sup> arba mažiau

Paklaida (K): 1,5 m/s<sup>2</sup>

#### Modelis DGA508

Darbo režimas: paviršiaus šlifavimas su normalia šonine rankena

Vibracijos emisija ( $a_{h,AG}$ ): 6,0 m/s<sup>2</sup>

Paklaida (K): 1,5 m/s<sup>2</sup>

Darbo režimas: paviršiaus šlifavimas su antivibracine šonine rankena

Vibracijos emisija ( $a_{h,AG}$ ): 5,5 m/s<sup>2</sup>

Paklaida (K): 1,5 m/s<sup>2</sup>

Darbo režimas: diskinis šlifavimas su normalia šonine rankena

Vibracijos emisija ( $a_{h,DS}$ ): 2,5 m/s<sup>2</sup> arba mažiau

Paklaida (K): 1,5 m/s<sup>2</sup>

Darbo režimas: diskinis šlifavimas su antivibracine šonine rankena

Vibracijos emisija ( $a_{h,DS}$ ): 2,5 m/s<sup>2</sup> arba mažiau

Paklaida (K): 1,5 m/s<sup>2</sup>

**PASTABA:** Paskelbtasis vibracijos emisijos dydis nustatytas pagal standartinį testavimo metodą ir jį galima naudoti vienam įrankiui palyginti su kitu.

**PASTABA:** Paskelbtasis vibracijos emisijos dydis taip pat gali būti naudojamas preliminariai įvertinti vibracijos poveikį.



**⚠️ JSPĖJIMAS:** Faktiškai naudojant elektrinį įrankį, keliamos vibracijos dydis gali skirtis nuo paskelbtojo dydžio, priklausomai nuo būdų, kuriais yra naudojamas šis įrankis.

**⚠️ JSPĖJIMAS:** Siekdami apsaugoti operatorių, būtina įvertinkite saugos priemones, remdamiesi vibracijos poveikio įvertinimu esant faktinėms naudojimo sąlygoms (atsižvelgdami į visas darbo ciklo dalis, pavyzdžiui, ne tik kiek laiko įrankis veikia, bet ir kiek kartų jis yra išjungiamas bei kai jis veikia be apkrovų).

**⚠️ JSPĖJIMAS:** Paskelbtasis keliamos vibracijos dydis galioja naudojant šį elektrinį įrankį pagrindiniams, numatytiems darbams atlikti. Tačiau, jeigu įrankis naudojamas kitiems darbams atlikti, keliamos vibracijos dydis gali būti kitoks.

## ES atitikties deklaracija

### Tik Europos šalims

Bendrovė „Makita“ atsakingai pareiškia, kad šis įrenginys (-iai):

Mechanizmo pavadinimas: Belaidis kampinis šlifuočlis  
Modelio Nr. / tipas: DGA458, DGA508

Atitinka šias Europos direktyvas: 2006/42/EC

Yra pagaminti pagal šį standartą arba normatyvinius dokumentus: EN60745

Techinį dokumentą pagal 2006/42/EC galima gauti iš: Makita, Jan-Baptist Vinkstraat 2, 3070, Belgium

(Belgija)  
11.8.2015

Yasushi Fukaya  
Direktorius  
Makita, Jan-Baptist Vinkstraat 2, 3070, Belgium  
(Belgija)

## Bendrieji įspėjimai dirbant elektriniais įrankiais

**⚠️ JSPĖJIMAS:** Perskaitykite visus saugos įspėjimus ir visą instrukciją. Nesilaikydami toliau pateiktų įspėjimų ir instrukcijų galite patirti elektros smūgį, gaisrą ir (arba) sunkų sužeidimą.

## Išsaugokite visus įspėjimus ir instrukcijas, kad galėtumėte jas peržiūrėti ateityje.

Terminas „elektrinis įrankis“ pateiktuose įspėjimuose reiškia į maitinimo tinklą jungiamą (laidinį) elektrinį įrankį arba akumuliatoriaus maitinamą (belaidį) elektrinį įrankį.

## Įspėjimai dėl belaidžio šlifuočlio saugos

Bendri saugos įspėjimai šlifuojant, šlifuojant šlifavimo popieriumi, šveičiant vieliniu šepetėčiu ir atliekant šlifuojamojo pjaustymo darbus:

1. Šis elektrinis įrankis skirtas naudoti kaip šlifavimo staklės, šlifutuvas šlifavimo popieriumi, vielinis šepetys ar pjaustymo įrankis.

2. Perskaitykite visus saugumo įspėjimus, instrukcijas, iliustracijas bei technines sąlygas, pateikiamas kartu su šiuo elektriniu įrankiu. Dėl toliau pateiktų instrukcijų nesilaikymo gali kilti elektros smūgio, gaisro ir (arba) rimto sužeidimo pavojus.
3. **Su šiuo elektriniu įrankiu nerekomenduojama atlikti tokių darbų kaip poliravimas.** Darbai, kuriems šis elektrinis įrankis nėra skirtas, gali kelti pavojų bei sąlygoti susižeidimą.
4. **Nenaudokite priedų, kurie nėra specialiai sukurti ir rekomenduojami įrankio gamintojo.** Nors priedą ir galima pritaisyti prie jūsų elektrinio įrankio, tai vistiek neužtikrina saugios eksploatacijos.
5. **Nominalusis priedo greitis turi būti bent jau lygus maksimaliam greičiui, nurodytam ant elektrinio įrankio.** Priedai, kurie veikia greičiau už vardinį greitį, gali sulūžti ir atsiskirti.
6. **Priedo išorinis skersmuo ir storis turi atitikti elektrinio įrankio pajėgumo kategoriją.** Netinkamo dydžio priedų negalima tinkamai apsaugoti skydais ar valdyti.
7. **Srieginių priedų jungiamoji dalis privalo atitikti šlifuočlio veleno sriegį.** Priedų, montuojamų naudojant junges, angos velenui dydis privalo tiksliai atitikti jungės fiksavimo skersmenį. Naudojami priedai, kurių dydis neatitinka elektrinio įrankio dalių, prie kurių jie montuojami, dydžio, išbalansuos įrankį, sukels pernelyg didelę vibraciją bei įrankio valdymo praradimą.
8. **Nenaudokite sugadinto priedo.** Kiekvieną kartą prieš naudodami įrankį patikrinkite jo priedus, pvz., ar šlifavimo diskai nenudaužyti ir nesutrūkę, ar nėra atraminių padėklų įtrūkių, plyšių ar jie ne per daug nusidėvėję, ar nėra iškritusių vielinio šepetėčio vielų ir ar jos nenulūžusios. Jei elektrinis įrankis ar jo priedas buvo numestas, patikrinkite, ar nėra pažeidimų, arba naudokite nepažeistą priedą. Patikrinę ir įtaisę priedą, atsistokite bei nuveskite stebinčiuosius toliau nuo besisukančio priedo plokštumos ir paleiskite elektrinį įrankį veikti maksimaliu greičiu be apkrovos 1 minutę. Paprastai per šį tikrinimo laiką pažeisti priedai turėtų suskilti.
9. **Naudokite asmenines apsaugos priemones.** Priklausomai nuo pritaikymo, naudokite apsauginį veido skydelį, tamsius arba apsauginius akinius. Kaip pridera, dėvėkite apsaugos nuo dulkių kaukę, klausos apsaugą, pirštines ir dirbtuvės prijuostę, sulaikančią smulkius abrazyvus ar ruošinio skeveldras. Akių apsauga turi sulaukyti skriejančias nuolaužas, susidariusias įvairių operacijų metu. Apsaugos nuo dulkių kaukė arba respiratorius turi filtruoti darbo metu susidariusias dalelytes. Dėl intensyvaus ilgalaikio triukšmo galima prarasti klausą.
10. **Laikykite stebinčiuosius toliau nuo darbo vietos.** Kiekvienas, užimančias į darbo vietą, turi dėvėti asmeninę apsaugos aprangą. Ruošinio ar sulūžusio priedo skeveldros gali nuskrieti toliau ir sužeisti asmenis už tuo metu atliekamo darbo zonos.
11. **Jei dirbant pjovimo įrankis gali kliudyti paslėptus laisvus, elektrinį įrankį laikykite tik už izoliuotų paviršių.** Įrankiui prilietus laidą, kuriame yra įtampa, neiizoliuotose metalinėse elektrinio įrankio dalyse taip pat gali atsirasti įtampa, dėl kurios operatorius gali patirti elektros smūgį.

11. **Niekada nepadėkite šio elektrinio įrankio, kol jo priedas nėra visiškai sustojęs.** Greitai besisukantis priedas gali užkabinti paviršių ir jūs galite nebesuvaldyti elektrinio įrankio.
12. **Nešant įrankį prie savo šono, jis turi būti išjungtas.** Greitai besisukantis priedas gali atsitiktinai užkabinti jūsų drabužius ir jus sužaloti.
13. **Reguliariai išvalykite elektrinio įrankio oro ventiliacijos angas.** Variklio ventiliatorius traukia dulkes į korpuso vidų ir dėl per didelių metalo dulkių san kaupų gali kilti su elektros įranga susijęs pavojus.
14. **Nenaudokite elektrinio įrankio būdami netoliese degių medžiagų.** Nuo kibirkščių degiosios medžiagos gali užsidegti.
15. **Nenaudokite priedų, kuriems reikalingi skysti aušinimo skysčiai.** Naudojant vandenį ar kitą skystį gali išitikti mirtina elektros trauma ar elektros smūgis.

#### **Atatranka ir su ja susiję įspėjimai**

Atatranka yra staigi reakcija į suspaustą arba sugriebtą besisukančią diską, atraminį padėklą, šepetį ar kitą priedą. Suspaudimas arba sugnybimas sukelia staigų besisukančio priedo sulaikymą, dėl to nevaldomas elektrinis įrankis sulaikymo taške verčiamas judėti priešinga priedo sukimosi kryptimi.

Pavyzdžiui, jeigu šlifavimo diską suspaudžia ruošinys, disko kraštas, kuris patenka į suspaudimo tašką, gali įsikirsti į medžiagos paviršių ir dėl to diskas atšoks. Diskas gali atšokti į operatorių arba nuo jo; tai priklauso nuo disko sukimosi krypties suspaudimo metu. Šlifavimo diskas tokiomis sąlygomis gali ir sulūžti.

Atatranka yra piktnaudžiavimo elektriniu įrankiu ir (arba) netinkamų darbo procedūrų ar sąlygų rezultatas, jos galima išvengti vadovaujantis toliau nurodytomis atsargumo priemonėmis.

1. **Tvirtai laikykite elektrinį įrankį ir stovėkite taip, kad jūsų kūnas bei ranka netrukdytų priešintis atatrankos jėgoms.** Visada naudokite papildomą rankeną, jei tokia yra, kad įjungimo metu galėtumėte maksimaliai valdyti atatranką ar sukamojo momento reakcijas. Operatorius gali valdyti sukamojo momento reakciją bei atatrankos jėgą, jei imasi atitinkamų atsargumo priemonių.
2. **Niekada nelaikykite rankos šalia besisukančio priedo.** Priedas gali atsitrenkti į jūsų ranką.
3. **Nebūkite toje zonoje, kurios link judės elektrinis įrankis, jei įvyks atatranka.** Atatranka pastums įrankį priešinga disko sukimosi kryptimi suspaudimo taške.
4. **Ypač saugokitės apdirbdami kampus, aštirus kraštus ir pan. Stenkitės priedo nesutrenkti ir neužkliudyti.** Besisukantis priedas gali užsikabinti ar atsitrenkti į kampus, aštirus kraštus ir sukelti atatranką, o dėl to galima nebesuvaldyti įrankio.
5. **Nenaudokite pjūklo grandinės su medį raižančiais asmenimis ar dantytos pjūklo grandinės.** Tokie diskai dažnai sukelia atatranką ir įrankio suvaldymo problemų.

#### **Specialūs saugos įspėjimai atliekant šlifavimo ir abrazyvinio pjauštymo darbus:**

1. **Naudokite tik tuos diskus, kurie rekomenduojami naudoti su elektriniu įrankiu, ir specialią tam diskui skirtą apsaugą.** Diskai, kurie netinka elektriniam įrankiui, negali būti tinkamai apsaugoti ir yra nesaugūs.

2. **Sumontuotų diskų su įspaustu centru šlifavimo paviršius privalo būti žemiau apsauginio gaubto krašto plokštumos.** Netinkamai sumontuoto disko, kuris kyšo pro apsauginio gaubto krašto plokštumą, nebus galima tinkamai apsaugoti.
3. **Apsauga turi būti tinkamai pritvirtinta prie elektrinio įrankio, o siekiant apsaugoti kuo labiau, uždėta taip, kad kuo mažesnė disko dalis galėtų paveikti operatorių.** Apsauginis gaubtas padeda apsaugoti operatorių nuo atskilusių disko dalelių ir netyčinio prisilietimo prie disko bei žiežirbų, kurios gali uždegti drabužius.
4. **Diskai turi būti naudojami tik pagal rekomenduojamą paskirtį.** Pavyzdžiui, nešlifukokite pjovimo disko šonu. Šlifuojantys pjovimo diskai yra skirti periferiniam šlifavimui, todėl diskus veikiančios šoninės jėgos juos gali suskaldyti.
5. **Visada naudokite tik nesugadintas diskų junges, kurios pasirinktam diskui yra tinkamo dydžio bei formos.** Tinkamos diskų jungės prilaiko diską, mažindamos disko trūkimo tikimybę. Pjovimo diskams skirtos jungės gali skirtis nuo šlifavimo diskų jungių.
6. **Nenaudokite nusidėvėjusių diskų nuo didesnių elektrinių įrankių.** Didesniems elektriniams įrankiams skirti diskai netinka greičiau besisukančiam mažesniai įrankiui, jie gali sutrukinti į tūkstančius dalių.

#### **Papildomi specialūs saugos įspėjimai atliekant abrazyvinio pjauštymo darbus:**

1. **Saugokite, kad pjovimo diskas neįstrigtų, ir pernelyg nespaukite.** Nemėginkite atlikti pernelyg gilių pjūvių. Per stipriai spaudžiant, padidėja apkrova ir disko persikreipimo ar užstrigimo pjūvyje tikimybė bei atatrankos ar disko lūžimo galimybė.
2. **Nestovėkite vienoje eilėje su besisukančiu disku ir už jo.** Kai diskas veikimo metu juda nuo jūsų kūno, galima atatranka gali pastumti besisukančią diską ir elektrinį įrankį tiesiai į jus.
3. **Kai diskas užstrigo arba kai įjovimas dėl kitų priežasčių nutraukiamas, išjunkite elektrinį įrankį ir nejudinkite jo, kol diskas visiškai nenustos sukis.** Niekada nebandykite išimti pjovimo disko iš pjūvio, kai diskas sukasi, nes gali susidaryti atatranka. Išstirkite ir imkitės tinkamų veiksmų, kad pašalintumėte disko užstrigimo priežastį.
4. **Nepradėkite iš naujo pjauti, kai diskas ruošinyje.** Leiskite, kad diskas pasiektų visą greitį ir tik tada atsargiai įleiskite jį į pjūvį. Diskas gali įstrigti, iššokti arba atšokti, jeigu elektrinis įrankis bus iš naujo paleistas diskui esant ruošinyje.
5. **Plokštes ar kitus per didelio dydžio ruošinius paremkite ir taip sumažinkite pavojų, kad diskas bus suspaustas ir atšoks.** Dideli ruošiniai linksta dėl savo pačių svorio. Ruošinį reikia paremti iš abiejų disko pusių, šalia pjovimo linijos ir prie ruošinio krašto.
6. **Ypač būkite atsargūs įpjaudami sienas arba kitas aklines vietas.** Atsikišęs diskas gali prapjauti dujų ar vandens vamzdžius, elektros laidus arba objektus, kurie gali sukelti atatranką.

**Specialūs saugos įspėjimai atliekant šlifavimo darbus šlifavimo popieriumi:**

1. Nenaudokite itin didelio dydžio šlifavimo disko popieriaus. Laikykites gamintojo rekomendacijų, kai renkatės šlifavimo popierių. Didesnis šlifavimo popierius, kuris išsikiša už šlifavimo padėklo ribų, gali sukelti įplėšimo pavojų, dėl to gali lūžti diskas arba įvykti atitranka.

**Specialūs saugos įspėjimai dirbant su vieliniu šepčiu:**

1. **Atkreipkite dėmesį, kad vieliniai šereliai krinta iš šepčio netgi įprasto naudojimo metu. Nespauskite per daug šerelių, naudodami didelę jėgą šepčiu. Vieliniai šereliai gali lengvai pradrūti ploną drabužių ir (arba) odą.**
2. **Jeigu rekomenduojama naudoti vielinio šepčio apsaugą, neleiskite, kad vielinis diskas ar šepetys būtų naudojami be apsaugos. Vielinio disko ar šepčio skersmuo dėl darbinio krūvio ir išcentriniių jėgų poveikio gali padidėti.**

**Papildomi saugos įspėjimai:**

1. Naudodami nuspaustus centrinius šlifavimo diskus, būtinai naudokite tik stiklo pluoštu sustiprintus diskus.
2. Su šiuo šlifuokliu NIEKADA NENAUDOKITE taurelės formos akmeninio šlifavimo disko. Šis šlifuoklis nėra skirtas naudoti su šio tipo diskais, todėl naudojant tokį gaminį galima sunkiai susižeisti.
3. Nepažeiskite veleno, jungės (ypač montavimo paviršiaus) ir fiksavimo galvutės. Dėl šių dalių pažeidimų gali lūžti diskas.
4. Prieš įjungdami jungiklį patikrinkite, ar diskas nesiliečia su ruošiniu.
5. Prieš naudodami įrankį su ruošiniu, leiskite jam kurį laiką veikti be apkrovos. Stebėkite, ar nėra vibracijos ar klibėjimo, rodančio, jog blogai surinkta ar kad blogai subalansuotas diskas.
6. Šlifavimui naudokite nurodyto paviršiaus diską.
7. Nepalikite veikiančio įrankio. Naudokite įrankį tik laikydami rankomis.
8. Nelieskite ruošinio iškart po naudojimo; jis gali būti itin karštas ir nudeginti odą.
9. Laikykites gamintojo nurodymų apie teisingą diskų uždėjimą ir naudojimą. Su diskais elkitės ir juos laikykite rūpestingai.
10. Nenaudokite atskirų mažinimo įvorių arba adapterių, skirtų didelių skylių šlifuojamiesiems diskams uždėti.
11. Naudokite tik šiam įrankiui nurodytas junges.
12. Jei naudojate įrankius, kuriems skirti diskai su sriegiu, įsitinkinkite, ar sriegis diske yra pakankamai ilgas, kad tiktų veleno ilgis.
13. Patikrinkite, ar ruošinys yra tinkamai palaikomas.
14. Atkreipkite dėmesį, kad išjungus įrankį diskas toliau sukasi.
15. Jei darbo vieta yra ypač karšta ir drėgna arba labai užteršta laidžiomis dulkelėmis, naudokite užteršimo pertraukiklį (30 mA), kad užtikrintumėte naudojimo saugumą.

16. Nenaudokite įrankio su bet kokiomis medžiagomis, kuriose yra asbesto.
17. Kai naudojate pjovimo diską, visuomet dirbkite su dulkes renkančia disko apsauga, kurios reikalauja vietinės taisyklės.
18. Pjovimo diskų negalima spausti iš šonų.
19. Nenaudokite medžiaginių pirštinių darbo metu. Medžiaginių pirštinių audinio pluoštų gali patekti į įrankį, todėl įrankis gali sugesti.

## SAUGOKITE ŠIAS INSTRUKCIJAS.

**▲ĮSPĖJIMAS: NELEISKITE**, kad patogumas ir gaminio pažinimas (įgyjamas pakartotinai naudojant) susilpnintų griežtą saugos taisyklių, taikytinų šiam gaminiui, laikymąsi. Dėl NETINKAMO NAUDOJIMO arba saugos taisyklių, kurios pateiktos šioje instrukcijoje, nesilaikymo galima rimtai susižeisti.

## Svarbios saugos instrukcijos, taikomos akumulatoriaus kasetei

1. Prieš naudodami akumulatoriaus kasetę, perskaitykite visas instrukcijas ir perspėjimus ant (1) akumuliatorių įkroviklio, (2) akumuliatorių ir (3) akumuliatorių naudojančio gaminio.
  2. Neardykite akumulatoriaus kasetės.
  3. Jei įrankio darbo laikas žymiai sutrumpėjo, nedelsdami nutraukite darbą su įrankiu. Tai gali kelti perkaitimo, nudegimų ar net sprogdimo pavojų.
  4. Jei elektrolitas pateko į akis, plaukite jas tyru vandeniu ir nedelsdami kreipkitės į gydytoją. Gali kilti regėjimo praradimo pavojus.
  5. Neužtrumpinkite akumulatoriaus kasetės:
    - (1) Nelieskite kontaktų degiomis medžiagomis.
    - (2) Venkite laikyti akumulatoriaus kasetę kartu su kitais metaliniais daiktais, pavyzdžiui, vinimis, monetomis ir pan.
    - (3) Saugokite akumulatoriaus kasetę nuo vandens ir lietaus.
- Trumpasis jungimas akumulatoriuje gali sukelti stiprią srovę, perkaitimą, galimus nudegimus ar net akumulatoriaus gedimą.
6. Nelaikykite įrankio ir akumulatoriaus kasetės vietoje, kur temperatūra gali pasiekti ar viršyti 50 °C.
  7. Nedeginkite akumulatoriaus kasetės, net jei yra stipriai pažeista ar visiškai susidėjęsi. Ugnyje akumulatoriaus kasetė gali sprogti.
  8. Saugokite akumuliatorių nuo kritimo ir smūgių.
  9. Nenaudokite pažeisto akumulatoriaus.
  10. Įdėtos ličio jonų akumulatoriams taikomi Pavojingų prekių teisės akto reikalavimai. Komercinis transportas, pvz., trečiųjų šalių, prekių vežimo atstovų, turi laikytis specialaus reikalavimo ant pakuočių ir ženklavimo. Norėdami paruošti siųstiną prekę, pasitarkite su pavojingų medžiagų specialistu. Be to, laikykites galimai išsamesnių nacionalinių reglamentų. Užklijuokite juosta arba padenkite atvirus

kontaktus ir supakuokite akumuliatorių taip, kad ji pakuotėje nejudėtų.

11. Vadovaukitės vietos įstatymais dėl akumuliatorių išmetimo.

## SAUGOKITE ŠIAS INSTRUKCIJAS.

**⚠ PERSPĖJIMAS:** Naudokite tik originalų „Makita“ akumuliatorių. Neoriginalaus „Makita“ arba pakeisto akumuliatoriaus naudojimas gali nulemti gaisrą, asmens sužalojimą ir pažeidimą. Tai taip pat panaikina „Makita“ suteikiamą „Makita“ įrankio ir įkroviklio garantiją.

## Patarimai, ką daryti, kad akumuliatorius veiktų kuo ilgiau

1. Pakraukite akumuliatoriaus kasetę prieš jai visiškai išsikraunant. Visuomet nustokite naudoti įrankį ir pakraukite akumuliatoriaus kasetę, kai pastebite, kad įrankio galia sumažėjo.
2. Niekada nekraukite iki galo įkrautos akumuliatoriaus kasetės. Perkraunant trumpėja akumuliatoriaus eksploatacijos laikas.
3. Akumuliatoriaus kasetę kraukite esant kambario temperatūrai 10 - 40 °C. Prieš pradėdami krauti, leiskite įkaitusiai akumuliatoriaus kasetei atvėsti.
4. Įkraukite akumuliatoriaus kasetę, jei jos nenaudojate ilgą laiką (ilgiau nei šešis mėnesius).

## VEIKIMO APRAŠYMAS

**⚠ PERSPĖJIMAS:** Prieš pradėdami reguliuoti arba tikrinti įrankio veikimą, visuomet būtinai išjunkite įrankį ir išimkite akumuliatoriaus kasetę.

## Akumuliatoriaus kasetės uždėjimas ir nuėmimas

**⚠ PERSPĖJIMAS:** Prieš įdėdami arba išimdami akumuliatoriaus kasetę, visada išjunkite įrankį.

**⚠ PERSPĖJIMAS:** Įdėdami arba išimdami akumuliatoriaus kasetę, tvirtai laikykite įrankį ir akumuliatoriaus kasetę. Jeigu įrankį ir akumuliatoriaus kasetę laikysite netvirtai, jie gali išslysti iš jūsų rankų, todėl įrankis ir akumuliatoriaus kasetė gali būti sugadinti, o naudotojas sužalotas.

- **Pav.1:** 1. Raudonas indikatorius 2. Mygtukas  
3. Akumuliatoriaus kasetė

Jei norite išimti akumuliatoriaus kasetę, ištraukite ją iš įrankio, stumdami mygtuką, esantį kasetės priekyje.

Jei norite įdėti akumuliatoriaus kasetę, sulygiuokite liežuvelį ant akumuliatoriaus kasetės su grioveliu korpuse ir įstumkite jį ai skirtą vietą. Įdėkite iki galo, kol spragtelėdama užsifiksuos. Jeigu matote raudoną indikatorius viršutinėje mygtuko pusėje, ji nėra visiškai užfiksuota.

**⚠ PERSPĖJIMAS:** Akumuliatoriaus kasetę visada įkiškite iki galo, kol nebematysite raudono indikatorius. Priešingu atveju ji gali atsitiktinai iškristi iš įrankio, sužeisti jus arba aplinkinius.

**⚠ PERSPĖJIMAS:** Nekiškite akumuliatoriaus kasetės jėga. Jeigu kasetė sunkiai lenda, ją kiškite netinkamai.

## Likusios akumuliatoriaus galios rodymas

Taikoma tik akumuliatorių kasetėms, kurių modelio numerio gale yra „B“

- **Pav.2:** 1. Indikatorijų lemputės 2. Tikrinimo mygtukas

Paspauskite akumuliatoriaus kasetės tikrinimo mygtuką, kad būtų rodoma likusi akumuliatoriaus energija. Maždaug trims sekundėms užsidegs indikatorijų lemputės.

Indikatorijų lemputės			Likusi galia
Šviečia	Nešviečia	Blyksi	
■	□	▬	75 - 100 %
■	■	□	50 - 75 %
■	■	□	25 - 50 %
■	□	□	0 - 25 %
▬	□	□	Įkraukite akumuliatorių.
■	■	□	Galimai įvyko akumuliatoriaus veikimo triktis.
□	□	■	

**PASTABA:** Rodmuo gali šiek tiek skirtis nuo faktinės energijos lygio – tai priklauso nuo naudojimo sąlygų ir aplinkos temperatūros.



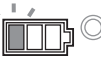

## Likusios akumuliatoriaus galios rodymas

**Priklausomai nuo šalies**

Įjungus įrankį, akumuliatoriaus indikatorius rodo likusį akumuliatoriaus įkrovos lygį.

- **Pav.3:** 1. Akumuliatoriaus indikatorius

Toliau pateiktoje lentelėje pavaizduoti likusio akumuliatoriaus įkrovos lygio rodmenys.

Akumulatoriaus indikatoriaus būseną			Likusi akumuliatorių galia
Šviečia	Nešviečia	Blyksi	
			50 - 100 %
			20 - 50 %
			0 - 20 %
			Įkraukite akumuliatorių

## Įrankio / akumulatoriaus apsaugos sistema


Įrankyje įrengta įrankio / akumulatoriaus apsaugos sistema. Ši sistema automatiškai atjungia variklio maitinimą, kad įrankis ir akumuliatorius ilgiau veiktų. Įrankis automatiškai išsijungs darbo metu esant vienai iš toliau nurodytų įrankio arba akumuliatorių darbo sąlygų. Esant tam tikroms sąlygoms užsidega indikatoriai.

## Apsauga nuo perkrovos

Kai įrankis naudojamas taip, kad neįprastai padidėja elektros srovė, įrankis automatiškai išsijungia be jokių indikatorių įspėjimų. Tokiu atveju atleiskite įrankio gauduką ir nutraukite darbą, dėl kurio kilo įrankio perkrova. Po to vėl įjunkite įrankį.

## Apsauga nuo perkaitimo

Įrankiai perkaitus, jis automatiškai išsijungia, o akumulatoriaus indikatorius rodo toliau pavaizduotą būseną. Tokiu atveju palaukite, kol įrankis atvės, prieš vėl jį įjungdami.

Šviečia	Blyksi
	

Jei įrankis neįsijungia, akumuliatorius gali būti perkaitęs. Tokiu atveju palaukite, kol akumuliatorius atvės, prieš vėl įjungdami įrankį.

## Apsauga nuo visiško išekvojimo

Kai akumulatoriaus įkrovos lygis nepakankamas, įrankis automatiškai išsijungia. Tokiu atveju ištraukite akumuliatorių iš įrankio ir įkraukite jį.

## Apsauginio stabdiklio išjungimas

Kelias kartus suveikus apsaugos sistemai, įrankis užblokuojamas, o akumulatoriaus indikatorius rodo toliau pavaizduotą būseną.

Tokiu atveju įrankis neįsijungia net ir pabandžius jį išjungti ir vėl įjungti. Norėdami išjungti apsauginį stabdiklį, išimkite akumuliatorių, įdėkite jį į akumulatoriaus įkroviklį ir palaukite, kol jis bus įkrautas.

Šviečia	Nešviečia	Blyksi
		

## Ašies fiksatorius

Paspauskite ašies fiksatorių, kad velenas nesisuktų, kai dedate ar nuimate priedus.

► **Pav.4:** 1. Ašies fiksatorius

**PASTABA:** Niekada neįjunkite ašies fiksatoriaus, kai velenas juda. Įrankis galis sugesti.

## Jungiklio veikimas

**⚠️ PERSPĖJIMAS:** Prieš dėdami keičiamąjį akumuliatorių į įrankį, visada patikrinkite, ar svirtinis jungiklis tinkamai veikia ir atleistas grįžta į padėtį OFF (išjungta).

**⚠️ PERSPĖJIMAS:** Negalima stipriai spausti svirtinio jungiklio, nenuspaudus atlaisvinimo svirtelės. Taip galima nuspausti jungiklį.

Įtaisyta atlaisvinimo svirtelė apsaugo nuo svirtinio jungiklio atsitiktinio nuspaudimo.



Norėdami įjungti įrankį, patraukite atlaisvinimo svirtelę savęs link ir paspauskite svirtinį jungiklį.

Norėdami išjungti įrankį, atleiskite svirtinį jungiklį.

► **Pav.5:** 1. Atlaisvinimo svirtelė 2. Svirtinis jungiklis

## Automatinio greičio keitimo funkcija

► **Pav.6:** 1. Režimo indikatorius

Režimo indikatoriaus būseną	Veikimo režimas
	Didelio greičio režimas
	Didelio sukimo momento režimas

Šis įrankis turi didelio greičio režimą ir didelio sukimo momento režimą. Jis automatiškai perjungia darbo režimą atsižvelgiant į darbo apkrovą. Kai dirbant užsidega režimo indikatoriaus lemputė, įrankis veikia didelio sukimo momento režimu.

## Apsaugos nuo netyčinio įjungimo funkcija

Net jei dedant keičiamąjį akumuliatorių bus spaudžiamas svirtinis jungiklis, įrankis neįsijungs.

Norėdami įjungti įrankį, pirmiausia atleiskite svirtinį jungiklį. Paskui patraukite atlaisvinimo svirtelę, o tada patraukite svirtinį jungiklį.

## Elektroninės sukimo momento kontrolės funkcija

Jrankio elektroniniai įtaisai aptinka situacijas, kuriose diskas arba priedas gali užstrigti. Tokiose situacijose jrankis automatiškai išsijungia, kad velenas nebūtų toliau sukamas (ši funkcija neapsaugo nuo atatrakos). Norėdami iš naujo įjungti jrankį, pirmiausia išjunkite jį, pašalinkite staigaus užstrigimo priežastį, tada vėl įjunkite jrankį.

## Tolygaus įjungimo funkcija

Tolygus įjungimas slopina įjungimo reakciją.

## Elektrinis stabdys

Elektrinis stabdys suaktyvinamas išjungus jrankį. Stabdys neveikia atjungus maitinimą, pvz., atsiktiktinai ištraukus akumuliatorių, tačiau neišjungus jungiklio.

## SURINKIMAS

**⚠ PERSPĖJIMAS:** Prieš pradėdami reguliuoti arba tikrinti jrankio veikimą, visuomet būtinai išjunkite jrankį ir išimkite akumulatoriaus kasetę.

## Šoninės rankenos montavimas

**⚠ PERSPĖJIMAS:** Prieš naudodami visuomet įsitikinkite, ar šoninė rankena yra patikimai uždėta.

Prisukite šoninę rankeną patikimai jos vietoje, kaip parodyta paveikslėlyje.

► Pav.7

## Apsauginio gaubto uždėjimas arba nuėmimas (diskui su įgaubtu centru, poliravimo diskui, lankščiajam diskui, vieliniam disko formos šepetėliui / šlifuojamajam pjovimo diskui, deimantiniam diskui)

**⚠ JSPĖJIMAS:** Kai naudojate diską su įgaubtu centru, poliravimo diską, lankstųjį diską arba vielinį disko formos šepetėlį, apsauginis disko gaubtas turi būti uždėtas ant jrankio taip, kad uždaras apsauginio gaubto šonas visuomet būtų atsuktas į operatorių.

**⚠ JSPĖJIMAS:** Naudodami šlifuojamąjį pjovimo / deimantinį diską, būtinai naudokite tik specialų apsauginį gaubtą, skirtą naudoti su pjovimo diskais.

(Tam tikrose Europos šalyse naudojant deimantinį diską, galima naudoti įprastą apsauginį gaubtą. Vadovaukitės jūsų šalyje galiojančiomis taisyklėmis.)

## Jrankiui su fiksuojamo varžto tipo disko apsauga

Uždėkite disko apsaugą ant disko apsauginės juostos, išsikišimus sutapdinę su įrantomis ties guolių dėže. Tada pasukite disko apsaugą tokiu kampu, kad ji galėtų apsaugoti operatorių darbo metu. Būtinai patikimai priveržkite varžtą.

Jei norite išimti disko apsaugą, laikykitės montavimo procedūros atvirkščia tvarka.

► Pav.8: 1. Disko apsauga 2. Guolių dėžė 3. Varžtas

## Jrankiui su suveržimo svirties tipo disko apsauga

Atlaisvinkite varžtą, tada traukite svirtį rodyklės kryptimi. Uždėkite disko apsaugą ant disko apsauginės juostos, išsikišimus sutapdinę su įrantomis ties guolių dėže. Tada pasukite disko apsaugą tokiu kampu, kad ji galėtų apsaugoti operatorių darbo metu.

► Pav.9: 1. Disko apsauga 2. Guolių dėžė 3. Varžtas 4. Svirtis

Traukite svirtelę rodyklės kryptimi. Tuomet fiksuojamuoju varžtu priveržkite disko apsaugą. Būtinai patikimai priveržkite varžtą. Nustatomo disko apsaugos kampą galima reguliuoti svirtele.

► Pav.10: 1. Varžtas 2. Svirtis

Jei norite išimti disko apsaugą, laikykitės montavimo procedūros atvirkščia tvarka.

## Disko su įgaubtu centru arba poliravimo disko uždėjimas ir nuėmimas

### Pasirenkamas priedas

**⚠ JSPĖJIMAS:** Kai naudojate diską su įgaubtu centru arba poliravimo diską, apsauginis disko gaubtas turi būti uždėtas ant jrankio taip, kad uždaras apsauginio gaubto šonas visuomet būtų atsuktas į operatorių.

**⚠ PERSPĖJIMAS:** Įsitikinkite, ar vidinės jungės tvirtinimo dalis puikiai telpa į disko su įgaubtu centru / poliravimo disko vidinį skersmenį. Sumontavus vidinę jungę netinkamoje pusėje, gali kilti pavojinga vibracija.

Uždėkite vidinę jungę ant veleno.

Vidinės jungės įranyta dalis būtinai turi būti uždėta ant tiesios dalies ties veleno apačia.

Uždėkite diską su įgaubtu centru / poliravimo diską ant vidinės jungės ir užsukite ant veleno antveržlę.

► Pav.11: 1. Fiksavimo veržlė 2. Nuspaustas centrinis diskas 3. Vidinė jungė 4. Tvirtinimo dalis

Jei norite priveržti fiksavimo galvutę, stipriai paspauskite ašies fiksatorių taip, kad velenas negalėtų sukis, tada pasinaudokite fiksavimo galvutės raktu ir patikimai priveržkite pagal laikrodžio rodyklę.

► Pav.12: 1. Fiksavimo galvutės raktas 2. Ašies fiksatorius

Jei norite nuimti diską, laikykitės uždėjimo procedūros atvirkščia tvarka.

## Lanksčiojo disko uždėjimas ir nuėmimas

### Pasirenkamas priedas

**⚠️ JSPĖJIMAS:** Visada naudokite pateiktą apsauginį gaubtą, kai ant įrankio uždėtas lankstusis diskas. Naudojimo metu diskas gali subyrėti, o apsauginis gaubtas sumažina galimybę susižeisti.

- **Pav.13:** 1. Fiksavimo veržlė 2. Lankstusis diskas  
3. Atraminis pagrindas 4. Vidinė jungė

Vadovaukitės diskui su įgaubtu centru taikomais nurodymais, bet ant disko taip pat uždėkite atraminį pagrindą. Žr. uždėjimo eilės tvarką, aprašytą šio vadovo priedų puslapyje.

## Šlifavimo disko uždėjimas ir nuėmimas

### Pasirenkamas priedas

**PASTABA:** Naudokite šiame vadove išvardintus papildomus šlifavimo priedus. Juos reikia įsigyti atskirai.

### Naudojant 100 mm modelį

- **Pav.14:** 1. Šlifavimo priedo fiksuojamoji veržlė  
2. Šlifavimo diskas 3. Guminis pagrindas  
4. Vidinė jungė

1. Uždėkite vidinę jungę ant veleno.
2. Uždėkite ant ašies guminį pagrindą.
3. Uždėkite diską ant guminio pagrindo ir užsukite antveržlę ant veleno.
4. Laikykite veleną su ašies fikساتoriumi ir fiksuojamosios veržlės veržliarakčiu pagal laikrodžio rodyklę gerai priveržkite šlifavimo priedo fiksuojamąją veržlę.

Jei norite nuimti diską, laikykitės uždėjimo procedūros atvirkščia tvarka.

### 115 mm / 125 mm modeliui

- **Pav.15:** 1. Šlifavimo priedo fiksuojamoji veržlė  
2. Šlifavimo diskas 3. Guminis pagrindas

1. Uždėkite ant ašies guminį pagrindą.
2. Uždėkite diską ant guminio pagrindo ir užsukite antveržlę ant veleno.
3. Laikykite veleną su ašies fikساتoriumi ir fiksuojamosios veržlės veržliarakčiu pagal laikrodžio rodyklę gerai priveržkite šlifavimo priedo fiksuojamąją veržlę.

Jei norite nuimti diską, laikykitės uždėjimo procedūros atvirkščia tvarka.

## NAUDOJIMAS

**⚠️ JSPĖJIMAS:** Dirbant įrankiu niekada nereikėtų naudoti jėgos. Įrankio svoris sukelia pakankamą spaudimą. Jėgos naudojimas ir per didelis spaudimas kelia disko lūžimo pavojų.

**⚠️ JSPĖJIMAS:** VISUOMET pakeiskite diską, jei įrankis iškrito šlifavimo metu.

**⚠️ JSPĖJIMAS:** NIEKADA nedaužykite šlifavimo disko į ruošinį.

**⚠️ JSPĖJIMAS:** Venkite disko atšokimų ir užkliuvimų, ypač kai apdorojate kampus, aštrius kraštus ir pan. Dėl to galima nesuvaldyti įrankio ir jis gali atšokti.

**⚠️ JSPĖJIMAS:** NIEKADA nenaudokite įrankio su medžio pjovimo ašmenimis ir kitomis pjūkle geležtėmis. Tokius ašmenis naudojant su šliuotuvu dažnai įvyksta atatranka, dėl kurios įrankis tampa nevaldomas ir gali sužeisti žmogų.

**⚠️ PERSPĖJIMAS:** NIEKADA neįjunkite įrankio, kai jis liečiasi su ruošiniu, kadangi galite susižeisti.

**⚠️ PERSPĖJIMAS:** Dirbdami visuomet dėvėkite apsauginius akinius arba veido skydelį.

**⚠️ PERSPĖJIMAS:** Panaudoję įrankį visuomet jį išjunkite ir prieš padėdami įrankį palaukite, kol diskas visiškai sustos.

**⚠️ PERSPĖJIMAS:** VISUOMET laikykite įrankį tvirtai vieną ranką uždėję ant korpuso, o kitą ant šoninės rankenos.

## Šlifavimas ir šlifavimas švitriniumi popieriumi

### ► Pav.16

Įjunkite įrankį ir tada disku apdirbkite ruošinį. Laikykite disko kraštą pakreiptą apie 15° laipsnių kampą į ruošinio paviršų. Naujo disko apšilimo laikotarpiu nedirbkite šliuokliu pakreipimo į priekį kryptimi, kadangi jis gali įpjauti ruošinį. Kai disko kraštas naudojant suapvalėja, disku galima dirbti kryptimis į priekį ir atgal.

## Šlifuojamojo pjovimo disko / deimantinio disko naudojimas

### Pasirenkamas priedas

**▲JSPĖJIMAS:** Naudodami šlifuojamąjį pjovimo / deimantinį diską, būtinai naudokite tik specialų apsauginį gaubtą, skirtą naudoti su pjovimo diskais.

(Tam tikrose Europos šalyse naudojant deimantinį diską, galima naudoti įprastą apsauginį gaubtą. Vadovaukitės jūsų šalyje galiojančiomis taisyklėmis.)

**▲JSPĖJIMAS:** NIEKADA nenaudokite pjovimo disko šonams šlifuoti.

**▲JSPĖJIMAS:** Nespauskite disko ir nenaudokite pernelyg didelio slėgio. Nemėginkite atlikti pernelyg gilių pjūvių. Pernelyg spaudžiant diską, padidėja apkrova ir tikimybė, kad diskas persikreips arba įstrigs pjūvyje; taip pat atsiranda atatranksos, disko lūžimo ir variklio perkaitimo galimybė.

**▲JSPĖJIMAS:** Nepradėkite pjauti atrėmę diską į ruošinį. Palaukite, kol diskas ims sukintis visu greičiu, ir atsargiai nuleiskite jį į pjūvį, stumdami įrankį pirmyn ruošinio paviršiumi. Jeigu elektrinį įrankį paleisite ruošinyje, diskas gali įstrigti, pasislinkti arba atšokti.

**▲JSPĖJIMAS:** Pjaudami niekada nekeiskite disko kampo. Spaudžiant pjovimo diską iš šono (pvz., šlifuojant), diskas gali įtrūkti ar sulūžti, sukeldamas pavojų susižeisti.

**▲JSPĖJIMAS:** Deimantinį diską reikia naudoti tik nukreipus jį statmenai pjaunamai medžiagai.

- **Pav.17:** 1. Fiksavimo veržlė 2. Šlifuojamasis pjovimo diskas / deimantinis diskas 3. Vidinė jungė 4. Apsauginis gaubtas šlifuojamajam pjovimo diskui / deimantiniam diskui

Norėdami sumontuoti diską su įgaubtu centru, vykdykite jam skirtas instrukcijas.

Antveržlės ir vidinės jungės montavimo kryptis priklauso nuo disko tipo ir storio.

Žr. šiuos paveikslėlius.

## Naudojant 100 mm modelį

Montuojant šlifuojamąjį pjovimo diską:

- **Pav.18:** 1. Fiksavimo veržlė 2. Šlifuojamasis pjovimo diskas (plonesnis nei 4 mm) 3. Šlifuojamasis pjovimo diskas (4 mm ar storesnis) 4. Vidinė jungė

Montuojant deimantinį diską:

- **Pav.19:** 1. Fiksavimo veržlė 2. Deimantinis diskas (plonesnis nei 4 mm) 3. Deimantinis diskas (4 mm ar storesnis) 4. Vidinė jungė

## 115 mm / 125 mm modeliu

Montuojant šlifuojamąjį pjovimo diską:

- **Pav.20:** 1. Fiksavimo veržlė 2. Šlifuojamasis pjovimo diskas (plonesnis nei 4 mm) 3. Šlifuojamasis pjovimo diskas (4 mm ar storesnis) 4. Vidinė jungė

Montuojant deimantinį diską:

- **Pav.21:** 1. Fiksavimo veržlė 2. Deimantinis diskas (plonesnis nei 4 mm) 3. Deimantinis diskas (4 mm ar storesnis) 4. Vidinė jungė

## Vielinio, taurelės formos šepetėlio naudojimas

### Pasirenkamas priedas

**▲PERSPĖJIMAS:** Patikrinkite, kaip veikia šepetėlis, paleidę įrankį veikti be apkrovų ir įsitikinę, kad niekas nestovi priešais arba vienoje linijoje su šepetėliu.

**▲PERSPĖJIMAS:** Nenaudokite apgadinto arba išbalansuoto šepetėlio. Naudojant apgadintą šepetėlį, prisilietus prie aplūžusių šepetėlio vielų, galima susižeisti.

- **Pav.22:** 1. Vielinis šepetėlis

Išimkite keičiamąjį akumuliatorių iš įrankio ir padėkite įrankį apverstą, kad galėtumėte lengvai pasiekti veleną. Nuimkite nuo veleno visus priedus. Užsukite ant veleno vielinį taurelės formos šepetėlį ir priveržkite jį pateiktuoju veržliarakčiu.

**PASTABA:** Nespauskite pernelyg stipriai, kadangi naudojant šepetėlį gali sulinkti šereliai. Šepetėlis gali sulūžti pirma laiko.

## Vielinio, disko formos šepetėlio naudojimas

### Pasirenkamas priedas

**▲PERSPĖJIMAS:** Patikrinkite, kaip veikia vielinis, disko formos šepetėlis, paleidę įrankį veikti be apkrovų ir įsitikinę, kad niekas nestovi priešais arba vienoje linijoje su vieliniu, disko formos šepetėliu.

**▲PERSPĖJIMAS:** Nenaudokite apgadinto arba išbalansuoto vielinio, disko formos šepetėlio. Naudojant apgadintą vielinį, disko formos šepetėlį, prisilietus prie aplūžusių šepetėlio vielų, galima susižeisti.

**▲PERSPĖJIMAS:** Naudodami vielinius, disko formos šepetėlius, VISADA naudokite apsauginį gaubtą, kuriame tilptų atitinkamo skersmens diskas. Naudojimo metu diskas gali subyrėti, o apsauginis gaubtas sumažina galią susižeisti.

- **Pav.23:** 1. Vielinis disko formos šepetėlis

Išimkite keičiamąjį akumuliatorių iš įrankio ir padėkite įrankį apverstą, kad galėtumėte lengvai pasiekti veleną. Nuimkite nuo veleno visus priedus. Užsukite vielinį disko formos šepetėlį ant veleno ir priveržkite veržliarakčiais.

**PASTABA:** Nespauskite pernelyg stipriai, kadangi naudojant vielinį disko formos šepetėlį gali sulinkti šereliai. Šepetėlis gali sulūžti pirma laiko.



## TECHNINĖ PRIEŽIŪRA

**▲PERSPĖJIMAS:** Visuomet įsitikinkite, ar įrankis yra išjungtas ir akumulatoriaus kasetė yra nuimta prieš atlikdami apžiūrą ir priežiūrą.

**PASTABA:** Niekada nenaudokite gazolino, benzino, tirpiklio, spirito arba panašių medžiagų. Gali atsirasti išblukimų, deformacijų arba įtrūkimų.

## Oro ventilacijos angų valymas

Prižiūrėkite, kad įrankis ir jo oro angos būtų švarios. Reguliariai išvalykite įrankio oro angas arba tada, kai jos užsikimša.

► **Pav.24:** 1. Oro išleidimo anga 2. Oro įleidimo anga

Nuimkite gaubtelį nuo dulkių nuo oro įėjimo angos ir nuvalykite jį, kad oras galėtų laisvai cirkuluoti.

► **Pav.25:** 1. Gaubtelis nuo dulkių

**PASTABA:** Nuvalykite gaubtelį nuo dulkių, kai jis užsikimša dėl dulkių arba pašalinių medžiagų. Toliau naudojant įrankį, kai gaubtelis nuo dulkių užsikimšęs, įrankis gali sugesti.

## PASIRENKAMI PRIEDAI

**▲PERSPĖJIMAS:** Šiuos papildomus priedus arba įtaisus rekomenduojama naudoti su šioje instrukcijoje nurodytu „Makita“ bendrovės įrankiu. Naudojant bet kokius kitus papildomus priedus arba įtaisus, gali kilti pavojus sužeisti žmones. Naudokite tik nurodytam tikslui skirtus papildomus priedus arba įtaisus.

Jeigu norite daugiau sužinoti apie tuos priedus, kreipkitės į artimiausią „Makita“ techninės priežiūros centrą.

• Originalus „Makita“ akumulatorius ir įkroviklis

► **Pav.26**

-	100 mm modelis	115 mm modelis	125 mm modelis
1	Rankena 36		
2	Disko apsauga (šlifavimo diskui)		
3	Vidinė jungė		
4	Diskas su įgaubtu centru / poliravimo diskas		
5	Fiksavimo veržlė		
6	Atraminis pagrindas		
7	Lankstusis diskas		
8	Vidinė jungė ir guminis tarpiklis 76	Guminis padas 100	Guminis padas 115
9	Šlifavimo diskas		
10	Šlifavimo priedo fiksuojamoji veržlė		
11	Vielinis disko formos šepetėlis		
12	Vielinis šepetėlis		
13	Disko apsauga (pjovimo diskui) *1		
14	Šlifuojamasis pjovimo diskas / deimantinis diskas		
-	Fiksavimo galvutės raktas		

**PASTABA:** \*1 Kai kuriose Europos šalyse, naudojant deimantinį diską, vietoj specialiosios apsaugos, dengiančios abi disko puses, galima naudoti įprastą apsaugą. Vadovaukitės jūsų šalyje galiojančiomis taisyklėmis.

**PASTABA:** Kai kurie sąrašė esantys priedai gali būti pateikti įrankio pakuotėje kaip standartiniai priedai. Jie įvairiose šalyse gali skirtis.

## TEHNILISED ANDMED

Mudel:	DGA408	DGA458	DGA508
Ketta läbimõõt	100mm (4")	115mm (4-1/2")	125mm (5")
Max ketta paksus	6,4mm		
Võlli keere	M10	M14 või 5/8" (riigiti erinev)	
Nimikiirus (n)	8 500min <sup>-1</sup>		
Üldpikkus	Akukassetiga BL1815N, BL1820, BL1820B	348mm	
	Akukassetiga BL1830, BL1830B, BL1840, BL1840B, BL1850, BL1850B, BL1860B	362mm	
Netokaal	Akukassetiga BL1815N, BL1820, BL1820B	2,2kg	2,4kg
	Akukassetiga BL1830, BL1830B, BL1840, BL1840B, BL1850, BL1850B, BL1860B	2,5kg	2,6kg
Nimipinge	Alalisvool 18 V		

- Meie pideva uuringu- ja arendusprogrammi tõttu võidakse tehnilisi andmeid muuta ilma sellest ette teatamata.
- Tehnilised andmed ja akukassetid võivad riigiti erineda.
- Kaal koos akukassetiga, EPTA-protseduuri 01/2003 kohaselt

### Kavandatud kasutus

Tööriist on ette nähtud metallide ja kivimaterjali veeta käimiseks, lihvimiseks ja lõikamiseks.

### Müra

Tüüpiline A-korrigeeritud müratase, määratud standardi EN60745 kohaselt:

#### Mudel DGA458

Helirõhutase ( $L_{pA}$ ): 80 dB (A)

Määramatus (K): 3 dB (A)

#### Mudel DGA508

Helirõhutase ( $L_{pA}$ ): 79 dB (A)

Määramatus (K): 3 dB (A)

Töötamisel võib müratase ületada 80 dB (A).

**HOIATUS:** Kasutage kõrvakaitsmeid.

### Vibratsioon

Vibratsiooni koguväärtus (kolmeteljeliste vektorite summa) määratud standardi EN60745 kohaselt:

#### Mudel DGA458

Töörežiim: pinna lihvimine tavalise külgläpikäepideme kasutamise

Vibratsioonitase ( $a_{h,AG}$ ): 5,5 m/s<sup>2</sup>

Määramatus (K): 1,5 m/s<sup>2</sup>

Töörežiim: pinna lihvimine vibratsioonikindla külgläpikäepideme kasutamise

Vibratsioonitase ( $a_{h,AG}$ ): 5,0 m/s<sup>2</sup>

Määramatus (K): 1,5 m/s<sup>2</sup>

Töörežiim: ketaslihvimine tavalise külgläpikäepideme kasutamise

Vibratsioonitase ( $a_{h,DS}$ ): 2,5 m/s<sup>2</sup> või vähem

Määramatus (K): 1,5 m/s<sup>2</sup>

Töörežiim: ketaslihvimine vibratsioonikindla külgläpikäepideme kasutamise

Vibratsioonitase ( $a_{h,DS}$ ): 2,5 m/s<sup>2</sup> või vähem

Määramatus (K): 1,5 m/s<sup>2</sup>

#### Mudel DGA508

Töörežiim: pinna lihvimine tavalise külgläpikäepideme kasutamise

Vibratsioonitase ( $a_{h,AG}$ ): 6,0 m/s<sup>2</sup>

Määramatus (K): 1,5 m/s<sup>2</sup>

Töörežiim: pinna lihvimine vibratsioonikindla külgläpikäepideme kasutamise

Vibratsioonitase ( $a_{h,AG}$ ): 5,5 m/s<sup>2</sup>

Määramatus (K): 1,5 m/s<sup>2</sup>

Töörežiim: ketaslihvimine tavalise külgläpikäepideme kasutamise

Vibratsioonitase ( $a_{h,DS}$ ): 2,5 m/s<sup>2</sup> või vähem

Määramatus (K): 1,5 m/s<sup>2</sup>

Töörežiim: ketaslihvimine vibratsioonikindla külgläpikäepideme kasutamise

Vibratsioonitase ( $a_{h,DS}$ ): 2,5 m/s<sup>2</sup> või vähem

Määramatus (K): 1,5 m/s<sup>2</sup>

**MÄRKUS:** Deklareeritud vibratsiooniheite väärtus on mõeldud kooskõlas standardse testimismeetodiga ning seda võib kasutada ühe seadme võrdlemiseks teisega.

**MÄRKUS:** Deklareeritud vibratsiooniheite väärtust võib kasutada ka mürataseme esmaseks hindamiseks.

**⚠️HOIATUS:** Vibratsioonitase võib elektritööriista tegelikkuses kasutamise ajal erinevalt deklareeritud väärtusest olenevalt tööriista kasutamise viisidest.

**⚠️HOIATUS:** Rakendage operaatori kaitsmiseks kindlasti piisavaid ohutusabinõusid, mis põhinevad hinnangulisel müratasemel tegelikus töösihtuatsioonis (võttes arvesse tööperioodi kõiki osasid, nagu näiteks korrad, kui seade lülitatakse välja ja seade töötab tühikäigul, lisaks tööajale).

**⚠️HOIATUS:** Deklareeritud vibratsiooniheite väärtust kasutatakse elektritööriista peamises otstarbest lähtudes. Kui tööriista kasutatakse muul otstarbel, võib vibratsiooniheite väärtus olla erinev.

## EÜ vastavusdeklaratsioon

### Ainult Euroopa riikide puhul

Makita deklareerib, et alljärgnev(ad) masin(ad):

Masina nimetus: Juhtmeta nurklihvija

Modeli nr/tüüp: DGA458, DGA508

Vastavad alljärgnevatele Euroopa Parlamendi ja

Nõukogu direktiividele: 2006/42/EC

Need on toodetud järgmiste standardite või standardiseeritud dokumentide kohaselt: EN60745

Tehniline fail, mis on kooskõlas direktiiviga 2006/42/EC, on saadaval ettevõttes:

Makita, Jan-Baptist Vinkstraat 2, 3070, Belgia

11.8.2015



Yasushi Fukaya

Direktor

Makita, Jan-Baptist Vinkstraat 2, 3070 Belgia

## Üldised elektritööriistade ohutusohiatused

**⚠️HOIATUS:** Lugege läbi kõik ohutusohiatused ja juhtnõbrid. Hoiatuste ja juhtnõrde mittejärgmine võib põhjustada elektrišokki, tulekahju ja/või tõsiseid vigastusi.

## Hoidke edaspidisteks viideteks alles kõik hoiatused ja juhtnõbrid.

Hoiatustes kasutatud termini „elektritööriist“ all peetakse silmas elektriga töötavaid (juhtmega) elektritööriistu või akuga töötavaid (juhtmeta) elektritööriistu.

## Juhtmeta lihvmasina ohutusnõuded

Turvahoiatused. Tavalised turvahoiatused lihvimiseks, poleerimiseks, terasharjamiseks või abrasiivseteks löikeoperatsioonideks:

1. See elektritööriist on mõeldud lihvimisseadme, poleerimisseadme, terasharja või lõiketööriistana kasutamiseks. Lugege kõiki elektritööriistaga kaasasolevaid ohutus- ja kasutusjuhendeid ning tutvuge illustatsioonide ja tehniliste andmetega. Kõigi juhendite täpne järgimine ennetab elektrilöögi-, tulekahju ja/või vigastusohu.

2. Selle elektritööriistaga ei soovitata poleerida. Toimingud, milleks elektritööriist pole ette nähtud, võivad tekitada ohtlikku olukorra ja põhjustada kehavigastusi.
3. Ärge kasutage tarvikuid, mida tootja ei ole selle tööriista jaoks spetsiaalselt välja töötanud. Tarviku elektritööriistale kinnitamise võimalus ei taga veel selle ohutut tööd.
4. Tarviku nimikiirus peab olema vähemalt võrdne elektritööriistale märgitud maksimaalse kiirusega. Tarvikud, mis töötavad nimikiirusest suuremal kiirusel, võivad katki minna ja laiali lennata.
5. Tarviku välisdiameeter ja paksus peavad jääma Teie elektritööriista puhul ettenähtud parameetrite nimiametete vahemikku. Valede mõõtudega tarvikud ei ole tööriistas nõuetekohaselt kaitsitud ega kontrolli all.
6. Tarvikute keermeskinnitus peab vastama lihvmasina vööli keeme suurusele. Äärikutega kinnitatavate tarvikute korral peab tarviku vööliava sobima ääriku fikseeriva läbimõõduga. Tarvikud, mis ei sobitu elektritööriista paigalduseseadisele, kaotavad tasakaalu, hakkavad vibreerima ja võivad kaotada juhitavuse.
7. Ärge kasutage vigast lisatarvikut. Enne iga kasutust kontrollige, et lihvketastel ei oleks laaste ega mörasid, et tugiketastel ei oleks mörasid, rebendeid ega liigset kulumust, et terasharjade harjased ei oleks lahtised ega purunenud. Kui elektritööriist või lisatarvik kukub maha, kontrollige, et see ei oleks kahjustunud, või paigaldage uus lisatarvik. Pärast lisatarviku kontrolli ja paigaldust minge koos kõrvalseisjatega pöörlevast lisatarvikust eemale ja käituge elektritööriista maksimaalsel koormusvabal kiirusel üheks minutiks. Kahjustatud lisatarvikud lähevad tavaliselt selle testi ajal katki.
8. Kandke isiklikku kaitsevarustust. Rakendusest olenevalt kandke näokaitset, kaitseprille või prilje. Vajaduse korral kandke tolmumaski, kõvaklappe, kindaid ja põlle, mis suudab kaitsta väikeste abrasiivosakeste või töödeldava detaili kildude eest. Silmakaitsemas peavad kaitsma töö käigus tekkivate lenduvate osakeste eest. Tolmumask või respiraator peab kaitsma töö käigus tekkivate filtreeruvate osakeste eest. Alaline kokkupuude suure müraga võib põhjustada kuulmiskahjustuse.
9. Hoidke kõrvalseisjad tööalast turvalises kauguses. Kõik, kes sisenevad tööalasse, peavad kandma kaitsevarustust. Töödeldava detaili või tarvikute osakesed võivad eemale lennata ja põhjustada vigastusi ka väljaspool vahetut tööala.
10. Hoidke elektritööriista ainult isoleeritud käepidemetest, kui töötate kohtades, kus löiketera võib kokku puutuda peidetud juhtmetega. Kokkupuude voolu all oleva juhtmega võib pingestada ka elektritööriista katmata metallosad ning operaator võib saada elektrilöögi.
11. Ärge pange elektritööriista kunagi maha enne, kui tarviku liikumine pole täielikult peatunud. Pöörlev tarvik võib pinnal liikumist jätkata ja põhjustada elektritööriista väljumise teie kontrolli alt.

12. **Ärge käituge elektritööriista selle kandmise ajal.** Juhuslik kokkupuude pöörleva tarvikuga võib põhjustada riiete kinnijäämist ja tarviku kehasse tõmmata.
13. **Puhastage elektritööriista õhuavasid regulaarselt.** Mootori ventilaator tõmbab tolmu korpusesse ja metallitolmu liigne kogunemine võib põhjustada elektriõhtu.
14. **Ärge kasutage seadet tuleohtlike materjalide lähedal.** Need materjalid võivad sädemetest süttida.
15. **Ärge kasutage tarvikuid, mis nõuavad jahutusvedelikke.** Vee või teiste vedelate jahutusvahendite kasutamine võib põhjustada surmava elektrilöögi või -šoki.
2. **Õhema keskosaga lihvketaste lihvpind peab jääma kaitsepiirde tasapinnast allapoole.** Kui ketas on valesti paigaldatud ja ulatub kaitsepiirde tasapinnast välja, ei ole võimalik seda piisavalt kaitsta.
3. **Kaitsepiire kinnitatakse tugevasti elektritööriista külge ja seadistatakse maksimaalselt ohutust tagavasse asendisse nii, et löikeketas jääks kasutajast võimalikult kaugel.** Piire aitab kaitstajal kaitsta purunenud kettaükide, kettaga juhuslikku kokkupuutesse sattumise ja rõivaid süüdata võivate sädemete eest.
4. **Kettaid tohib kasutada ainult sellel otstarbel, milleks need on mõeldud.** Näiteks ärge kasutage löikeketta külge lihvimiseks. Abrasiivlöikekettad on ette nähtud äärepindade lihvimiseks, nendele ketastele rakendatavad külgjõud võivad ketta purustada.

### Tagasilöökk ja vastavad hoiatused

Tagasilöökk on äkiline reaktsioon, kui pöörlev ketas, aluspadi, hari või mõni muu lisatarvik kiilub kinni või satub ootamatu takistuse otsa. Väändumine või pörkumine põhjustab kiiret pöörleva lisatarviku vääratamist, mis omakorda sunnib ühenduspunkti juhitamatut elektritööriista pöörlema vastassuunas lisatarviku pöörlemise suunale.

Näiteks kui abrasiivne ketas kiilub töödeldavasse detalli kinni, võib kinnikiilumiskohta sisenenud löikeketta serv materjali pinda tungida, mille tagajärjel hüppab löikeketas välja või põhjustab tagasilöögi. Löikeketas võib hüpata kasutaja poole või kasutajast eemale olenevalt ketta liikumissuunast kinnikiilumiskohas. Lihvkettad võivad neis tingimustes samuti puruneda.

Tagasilöökk tekib elektritööriista väärkasutamisel ja/või mittevastava tööprotseduuri või -tingimuste korral ning on välditav, kui rakendate alljärgnevalt esitatud vastavaid ettevaatusabinõusid.

1. **Hoidke elektritööriistast tugevasti kinni ning seadke keha ja küünarnukk sellisesse asendisse, mis võimaldab tagasilöögile õigesti reageerida. Kasutage alati abikäepidet, kui see on olemas, et tööriista käivitamisel tagasilöögi ja pöördemomendi vastumõju üle kontrolli saavutada.** Asjakohaste ettevaatusabinõude rakendamisel saab operaator tagasilöögi ja pöördemomendi vastumõju kontrollida.
2. **Ärge kunagi asetage kätt pöörleva tarviku lähedale.** Te võite tarvikult tagasilöögi saada.
3. **Ärge viibige alas, kus elektritööriist võib tagasilöögi ajal liikuda.** Tagasilöökk paneb tööriista pörkekohas ketta liikumissuunale vastupidises suunas liikuma.
4. **Olge eriti ettevaatlik, kui töötlete nurki, teravaid servi jne. Vältige tarviku pörkumist esemete vastu.** Nurgad, teravad servad ja tagasipörkamine on tavaliselt nendeks teguriteks, mis võivad põhjustada pöörleva tarviku kinnijäämist, kontrolli kaotamist või tagasilööki.
5. **Ärge kunagi seadistage puulõiketeraga saeketti või hammastega saetera.** Sellised terad tekitavad sageli tagasilööki ja juhitavuse kadu.

### Spetsiaalsed turvahoiatused lihvimiseks ja abrasiivseteks löikeoperatsioonideks:

1. **Kasutage vaid kettatüüpe, mida teie elektritööriistale soovitatakse, ja valitud kettale mõeldud spetsiaalset piiret.** Kettaid, mille jaoks elektritööriist ei olnud mõeldud, ei saa piisavalt kaitsta ja need ei ole turvalised.

5. **Kasutage ainult terveid kettaäärikuid, mis on valitud ketta jaoks sobiva suuruse ja kujuga.** Sobivad kettaäärikud toestavad kettast, vähendades nii ketta purunemise ohtu. Löikeketaste äärikud võivad lihvketaste äärikutest erineda.
6. **Ärge kasutage suuremate elektritööriistade kulunud kettaid.** Suurema elektritööriista jaoks tehtud ketas ei sobi väiksema tööriista suurema kiirusega ja võib katki minna.

### Lisanduvad turvahoiatused abrasiivseteks löikeoperatsioonideks:

1. **Ärge ummistage löikeketast ega rakendage liigset jõudu. Ärge püüdke teha liiga sügavat lõiget.** Ketta ülepingestamine suurendab ketta koormust ja vastuvõtlikkust väändumisele või kinnijäämisele löikes ning tagasilöögi esinemise või ketta purunemise võimalust.
2. **Ärge seadke ennast ühele joonele pöörleva löikekettaga ega selle taha.** Kui ketas liigub käituse ajal teie kehast eemale, võib tõenäoline tagasilöökk pöördkettast ja elektritööriista otse teie suunas liigutada.
3. **Kui ketas kiilub kinni või löikamine katkeb mingil põhjusel, lülitage elektritööriist välja ja hoidke tööriista liikumatult kuni ketta täieliku seiskumiseni. Ärge kunagi püüdke eemaldada löikeketast löikest, kui ketas liigub, sest võib esineda tagasilöökk.** Selgitage välja ketta kinnijäämise põhjus ja rakendage asjakohast parandusmeetet põhjuse kõrvaldamiseks.
4. **Ärge käivitage löikamist töödeldavas detallis. Laske kettal saavutada täiskiirus ja sisenege uuesti hoolekalt löikesse.** Kui elektritööriist taaskäivitatakse töödeldavas detallis, võib ketas kinni jääda, ülespoole liikuda või põhjustada tagasilöögi.
5. **Vähendamaks ketta pitsumise ja tagasilöögi ohtu, toestage paneelid või ülemõdulised töödeldavad detailid.** Suured detailid hakkavad painduma omaenese raskuse all. Toed tuleb paigutada töödeldava detalli alla löikejoone lähedale ja tooriku serva lähedale ketta mõlemal küljel.
6. **Olge eriti ettevaatlik, kui teete „sukelduslöikamist“ olemasolevates seintes või muudes varjatud piirkondades.** Väljalaulut löiketera võib löikuda gaasi- või veetoruudesse, elektrijuhtmetesse või muudesse esemetesse ning põhjustada tagasilöögi.

## Poleerimistööde turvahoitused:

1. Ärge kasutage liiga suurte mõõdmetega poleerketta paberit. Lihvpaberi valikul järgige tootjate soovitusi. Lihvklotsist kaugemale ulatuv suurem lihvpaper on rebenemisohtlik ja võib põhjustada ketta kinnijäämist, purunemist või tagasilööki.

## Terasharjamise operatsioonide turvahoitused:

1. Arvestage sellega, et hari viskab traatharjaseid eemale ka tavakäituse ajal. Ärge avaldage terastraatidele liigset pinget harjale liigse koormuse rakendamisega. Terasharjased võivad lihtsalt kergesse rõivastusse ja/või nahka tungida.
2. Kui terasharjamisel soovitatakse kasutada piiret, ärge laske teraskettal ega -harjal piirdega kokku puutuda. Terasketas või -hari võib töökoormuse ja tsentrifugaaljõu tõttu läbimõõdult laieneda.

## Lisaturvahoitused:

1. Kui kasutate nõgusa keskosaga lihvketaid, veenduge, et kasutate ainult klaaskiuga tugevdatud kettad.
2. **ÄRGE KUNAGI** kasutage selle lihvijaga koos kausslihvketaid. Seda lihvijat ei kasutata koos nimetatud ketastega, sest need võivad põhjustada tõsise kehavigastuse.
3. Ärge vigastage vööli, äärikut (eriti selle paigalduspinda) ega fiksaatormutrit. Nende osade kahjustused võivad põhjustada ketta purunemise.
4. Veenduge, et lihvketas ei puutuks enne tööriista sisselülitamist vastu töödeldavat detaili.
5. Enne tööriista kasutamist tegelikus töökeskkonnas sellele mõni aeg koormusega töötada. Jälgige vibratsiooni või vibamist, mis võib tähendada ebaõiget paigaldust või halvasti tasakaalustatud ketast.
6. Lihvige selleks ette nähtud kettapinna osaga.
7. Ärge jätke tööriista käima. Käivitage tööriist ainult siis, kui hoiate seda käes.
8. Ärge puutuge töödeldavat detaili vahetult pärast töötlemist; see võib olla väga kuum ja põhjustada põletushaavu.
9. Ketta õigeks paigaldamiseks ja kasutamiseks järgige valmistaja juhendeid. Käsitsege ja ladustage kettaid hoolikalt.
10. Ärge kasutage suureauguliste lihvketaste kinnitamiseks sobituspukse või adaptereid.
11. Kasutage ainult äärikuid, mis on mõeldud kasutamiseks selle tööriistaga.
12. Tööriistade korral, kus kasutatakse keermestatud auguga kettad, jälgige, et ketta keerne pikkus oleks piisav vööliie kinnitamiseks.
13. Kontrollige, kas töödeldav detail on korralikult kinnitatud.
14. Pöörake tähelepanu asjaolule, et ketas jätkab pöörlemist ka pärast tööriista väljalülitamist.
15. Kui töökoht on äärmiselt kuum ja niiske või tugevalt saastatud elektrit juhtiva tolmuga, siis tuleb operaatori ohutuse tagamiseks kasutada lühisvoolukaitset (30 mA).
16. Ärge kasutage tööriista asbesti sisaldavate materjalide töötlemiseks.

17. Kui töötate löikekettaga, siis kasutage alati tolmuemaldusega kettakaitset, mis vastab kohalikele eeskirjadele.
18. Lõikekettaid ei tohi külgsuunas suruda.
19. Ärge kasutage töötamise ajal riided töökindaid. Riidest kinnaste kiud võivad sattuda tööriista sisse ja põhjustada tööriista purunemise.

## HOIDKE JUHEND ALLES.

**⚠ HOIATUS:** ÄRGE UNUSTAGE järgida toote ohutusnõudeid mugavuse või toote (korduskasutamise) saavutatud hea tundmise tõttu. VALE KASUTUS või kasutusjuhendi ohutuseeskirjade eiramine võib põhjustada tervisekahjustusi.

## Akukassetiga seotud olulised ohutusjuhised

1. Enne akukasseti kasutamist lugege (1) akulaadidial, (2) akul ja (3) seadmel olevad juhtnõidid ja hoiatused läbi.
2. Ärge võtke akukassetti lahti.
3. Kui tööaeg järsult lüheneb, siis lõpetage kohe kasutamine. Edasise kasutamise tulemuseks võib olla ülekuumenemisoht, võimalikud põletused või isegi plahvatus.
4. Kui elektrolüüti satub silma, siis loputage silma puhta veega ja pöörduge koheselt arsti poole. Selline õnnetus võib põhjustada pimedaksjäämist.
5. Ärge tekitage akukassetis lühist:
  - (1) Ärge puutuge klemme elektrijuhtidega.
  - (2) Ärge hoidke akukassetti tööriistakassis koos metalliesemetega, nagu naelad, mündid jne.
  - (3) Ärge tehke akukassetti märjaks ega jätke seda vihma kätte.Aku lühis võib põhjustada tugevat elektrivoolu, ülekuumenemist, põletusi ning ka seadet tõsiselt kahjustada.
6. Ärge hoidke tööriista ja akukassetti kohtades, kus temperatuur võib tõusta üle 50 °C.
7. Ärge põletage akukassetti isegi siis, kui see on saanud tõsiselt vigastada või on täiesti kurnunud. Akukassett võib tules plahvatada.
8. Olge ettevaatlik, ärge laske akul maha kukkuda ja vältige lööke.
9. Ärge kasutage kahjustatud akut.
10. Sisalduvatele liitium-ioonakudele võivad kohalduda ohtlike kaupade õigusaktide nõuded. Kaubanduslikul transportimisel, näiteks kolmandate poolte või transpordiettevõtete poolt, tuleb järgida pakendil ja sihtidel toodud erinõudeid. Transportimiseks ettevalmistamisel on vajalik pidada nõu ohtliku materjali ekspordiga. Samuti tuleb järgida võimalike riiklike regulatsioonide üksikasjalikumaid nõudeid. Katke teibiga või varjake avatud kontaktid ja pakendage aku selliselt, et see ei saaks pakendis liukuda.
11. Järgige kasutuskõlbatuks muutunud aku käitlemisel kohalikke eeskirju.

## HOIDKE JUHEND ALLES.

**⚠ETTEVAATUST:** Kasutage ainult Makita originaalakusid. Mitte Makita originaalakude või muudetud akude kasutamine võib põhjustada akude süttimise, kehavigastuse ja kahjustuse. Samuti muudab see kehtetuks Makita tööriista ja laadija Makita garantii.

## Vihjeid aku maksimaalse kasutaja tagamise kohta

1. Laadige akukassetti enne selle täielikku tühjenemist. Kui märkate, et tööriist töötab väiksema võimsusega, peatage töö ja laadige akukassetti.
2. Ärge laadige täielikult laetud akukassetti. Ülelaadimine lühendab akude kasutusiga.
3. Laadige akukassetti toatemperatuuril 10 °C - 40 °C. Enne laadimist laske kuumenenud akukassetil maha jahtuda.
4. Kui te ei kasuta akukassetti kauem kui kuus kuud, laadige see.

## FUNKTSIONAALNE KIRJELDUS

**⚠ETTEVAATUST:** Kandke alati hoolt selle eest, et tööriist oleks enne reguleerimist ja kontrollimist välja lülitatud ja akukassett eemaldatud.

## Akukasseti paigaldamine või eemaldamine

**⚠ETTEVAATUST:** Lülitage tööriist alati enne akukasseti paigaldamist või eemaldamist välja.

**⚠ETTEVAATUST:** Akukasseti paigaldamisel või eemaldamisel tuleb tööriista ja akukassetti kindlalt paigal hoida. Kui tööriista ja akukassetti ei hoita kindlalt paigal, võivad need käest libiseda ning kahjustada tööriista ja akukassetti või põhjustada kehavigastusi.

► **Joon.1:** 1. Punane näidik 2. Nupp 3. Akukassett

Akukasseti eemaldamiseks libistage see tööriista küljest lahti, vajutades kasseti esiküljel paiknevat nuppu alla.

Akukasseti paigaldamiseks joondage akukasseti keel korpuse soonega ja libistage kassett oma kohale. Paigaldage akuadapter alati nii kaugele, et see lukustuks klõpsatusega oma kohale. Kui näete nupu ülaosas punast osa, pole kassett täielikult lukustunud.

**⚠ETTEVAATUST:** Paigaldage akukassett alati täies ulatuses nii, et punast osa ei jääks näha. Muidu võib adapter juhuslikult tööriistast välja kukkuda ning põhjustada teile või läheduses viibivatele isikutele vigastusi.



















**⚠ETTEVAATUST:** Ärge rakendage akukasseti paigaldamisel jõudu. Kui kassett ei lähe kergesti sisse, pole see õigesti paigaldatud.

## Aku jääkmahutavuse näit

**Ainult akukassetid, mille mudelinumber lõppeb tähega „B”**

► **Joon.2:** 1. Märgulambid 2. Kontrollimise nupp

Akukasseti järelejäänud mahutavuse kontrollimiseks vajutage kontrollimise nuppu. Märgulambid süttivad mõneks sekundiks.

Märgulambid			Jääkmahutavus
 Põleb	 Ei põle	 Viigub	
			75 - 100%
			50 - 75%
			25 - 50%
			0 - 25%
			Laadige akut.
			Akul võib olla tõrge.
			

**MÄRKUS:** Näidatud mahutavus võib veidi erineda tegelikust mahutavusest olenevalt kasutustingimustest ja ümbritseva keskkonna temperatuurist.








## Aku jääkmahutavuse näit

**Riigile omane**

Tööriista sisselülitamisel näitab aku indikaator aku laetuse taset.

► **Joon.3:** 1. Akunäidik

Aku laetuse tase kuvatakse nii, nagu järgmises tabelis on näidatud.

Akunäidiku olek			Aku jääkmahutavus
 Põleb	 Ei põle	 Viigub	
			50 - 100%
			20 - 50%
			0 - 20%
			Laadige akut

## Tööriista/aku kaitsesüsteem

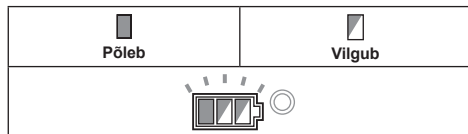
Tööriist on varustatud tööriista või aku kaitsesüsteemiga. Süsteem lülitab mootori automaatselt välja, et pikendada tööriista ja aku tööiga. Tööriist seiskub käitamise ajal automaatselt, kui tööriista või aku kohta kehtib üks järgmistest tingimustest. Teatud tingimustes hakkavad indikaatorid põlema.

## Ülekoormuskaitse

Kui tööriista kasutamise käigus hakkab see tarbima ebaharilikult palju voolu, peatub tööriist automaatselt ilma igasuguse signaalita. Sellisel juhul lülitage tööriist välja ning lõpetage tööriista ülekoormuse põhjustanud tegevus. Pärast seda käivitage tööriist uuesti.

## Ülekuumenemiskaitse

Kui tööriist on ülekuumenenud, siis seiskub see automaatselt ja aku indikaator näitab järgmist olekut. Sellises olukorras laske tööriistal enne uuesti sisselülitamist maha jahtuda.



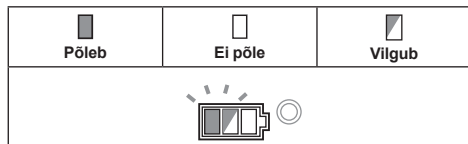
Kui tööriist ei käivitu, võib aku olla ülekuumenenud. Sellises olukorras laske akul enne tööriista uuesti käivitamist maha jahtuda.

## Ülelaadimiskaitse

Kui aku laetuse tase ei ole piisav, seiskub tööriist automaatselt. Sellisel juhul eemaldage aku seadmest ja laadige täis.

## Kaitseluku vabastamine

Kui kaitsesüsteem toimib korduvalt, siis tööriist lukustatakse ja aku indikaator näitab järgmist olekut. Sellises olukorras ei käivitu tööriist isegi siis, kui seda lülitatakse välja ja sisse. Kaitseluku vabastamiseks eemaldage aku, seadke see akulaadijasse ja oodake, kuni laadimine lõpeb.



## Võllilukk

Võlli pöörlemise takistamiseks vajutage võllilukku alati, kui paigaldate või eemaldate tarvikuid.

► Joon.4: 1. Võllilukk

**TÄHELEPANU:** Ärge kasutage kunagi võllilukku ajal, kui võll veel liigub. See võib tööriista kahjustada.

## Lüliti funktsioneerimine

**⚠ETTEVAATUST:** Enne akukasseti paigaldamist tööriista sisse kontrollige alati, kas hooblülit funktsioneerib õigesti ning liigub vabastamisel tagasi asendisse „OFF” (VÄLJAS).

**⚠ETTEVAATUST:** Ärge tõmmake hooblülitit jõuga ilma lahtilukustushooba vajutamata. See võib põhjustada lüliti purunemise.

Hooblülitit juhusliku tõmbamise vältimiseks on tööriist varustatud lahtilukustushoovaga.



Tööriista käivitamiseks tõmmake lahtilukustushooba enda poole ning seejärel tõmmake hooblülitit.

Tööriista seiskamiseks vabastage hooblülitit.

► Joon.5: 1. Lahtilukustushoob 2. Hooblülit

## Automaatne kiiruse muutmise funktsioon

► Joon.6: 1. Režiiminäidik

Režiiminäidiku olek	Töörežiim
	Suure kiiruse režiim
	Suure pöördemomendi režiim

Tööriistal on „suure kiiruse režiim” ja „suure pöördemomendi režiim”. Töörežiimi muudetakse automaatselt olenevalt töökoormusest. Kui režiimindikaator hakkab käitamise ajal põlema, siis on tööriist suure pöördemomendi režiimis.

## Juhusliku taaskäivitumise vältimise funktsioon

Akukasseti paigaldamise ajal ei käivitu tööriist isegi hooblülit tõmbamisel.

Tööriista käivitamiseks vabastage kõigepealt hooblülitit. Seejärel tõmmake lahtilukustushooba ja tõmmake hooblülitit.

## Elektroniline väändejõu juhtimise funktsioon

Tööriist tuvastab elektroonilisel olukorrad, kus ketas või tarvik ähvardavad kinni jääda. Sellises olukorras lülitatakse tööriist võlli edasise pöörlemise vältimiseks automaatselt välja (see ei hoia ära tagasilööki).

Tööriista taaskäivitamiseks lülitage tööriist esmalt välja, kõrvaldage pöörlemiskiiruse ootamatu langemise põhjus ja lülitage tööriist seejärel uuesti sisse.

## Sujuvkäivituse funktsioon

Sujuvkäivituse funktsioon vähendab käivituslööki.

## Elektriline pidur

Tööriista väljalülitamise järel aktiveeritakse elektriline pidur. Kui elektrivarustus katkestatakse, näiteks aku juhuslikul eemaldamisel, kuid lüliti jääb endiselt sisselülitatud asendisse, siis pidur ei toimi.

# KOKKUPANEK

**⚠ETTEVAATUST:** Kandke alati hoolt selle eest, et tööriist oleks enne reguleerimist ja kontrollimist välja lülitatud ja akukassett eemaldatud.

## Külgkäepideme (käepide) paigaldamine

**⚠ETTEVAATUST:** Enne tööd kontrollige alati, kas külgkäepide on kindlalt paigaldatud.

Kruvige külgkäepide kindlalt oma kohale, nii nagu joonisel näidatud.

► **Joon.7**

## Kettakaitse (nõgusa keskosaga kettale, lamellkettale, painduvale kettale, ketastraatharjale, lihvkettale, teemantkettale) paigaldamine või eemaldamine

**⚠HOIATUS:** Kui kasutate nõgusa keskosaga ketast, lamellketast, painduvat ketast või ketast- raatharja, tuleb kettakaitse paigaldada tööriista külge nii, et kaitse kinnine külg jääks alati operaatori poole.

**⚠HOIATUS:** Kui kasutate lihv-/teemantketast, siis valige kindlasti spetsiaalselt selle löikekettaga kasutamiseks mõeldud kettakaitse.

(Mõnes Euroopa riigis võib teemantketta puhul kasutada tavalist kettakaitset. Järgige oma riigis kehtivaid eeskirju.)

## Lukustuskruvi tüüpi kettakaitsemega tööriistad

Paigaldage kettakaitse selliselt, et kettakaitse klambri eendid oleksid laagriümbrise säilkudega kohakuti. Seejärel pöörake kettakaitse sellise nurga alla, et see kaitseks kasutajat vastavalt tööle. Pärast paigaldust pingutage kindlasti korralikult kruvi. Kettakaitse eemaldamiseks järgige paigaldamise protseduuri vastupidises järjekorras.

► **Joon.8:** 1. Kettakaitse 2. Laagriümbris 3. Kruvi

## Klamberhoova tüüpi kettakaitsemega tööriist

Lõdvendage kruvi ja tõmmake seejärel hooba noolega näidatud suunas. Paigaldage kettakaitse selliselt, et kettakaitse klambri eendid oleksid laagriümbrise säilkudega kohakuti. Seejärel pöörake kettakaitse sellise nurga alla, et see kaitseks kasutajat vastavalt tööle.

► **Joon.9:** 1. Kettakaitse 2. Laagriümbris 3. Kruvi 4. Hoob

Tõmmake hooba noole suunas. Seejärel pingutage kettakaitset kinnituskruviga. Pärast paigaldust pingutage kindlasti korralikult kruvi. Kettakaitse seadistusnurka saab hoova abil reguleerida.

► **Joon.10:** 1. Kruvi 2. Hoob

Kettakaitse eemaldamiseks järgige paigaldamise protseduuri vastupidises järjekorras.

## Nõgusa keskosaga ketta või lamellketta paigaldamine või eemaldamine

### Valikuline tarvik

**⚠HOIATUS:** Kui kasutate nõgusa keskosaga ketast või lamellketast, tuleb kettakaitse paigaldada tööriista külge nii, et kaitse kinnine külg jääks alati operaatori poole.

**⚠ETTEVAATUST:** Veenduge, et siseääriku paigaldusosa sobiks suurepäraselt nõgusa keskosaga ketta / lamellketta siseläbimõõduga. Siseääriku paigaldamine valele küljele võib põhjustada ohtlikku vibratsiooni.

Paigaldage siseäärik võllile.

Asetage siseääriku süvendatud pool kindlasti võlli põhjas sirgele osale.

Paigaldage nõgusa keskosaga ketta / lamellketas siseääriku peale ja keerake fiksaatormutter võlli külge.

► **Joon.11:** 1. Fiksaatormutter 2. Nõgusa keskosaga ketta 3. Siseäärik 4. Paigaldusosa

Fiksaatornutri pingutamiseks suruge tugevalt võlli lukustusnuppu nii, et võll ei saaks pöörduda, ning pingutage fiksaatornutrit fiksaatornutri jaoks ettenähtud võtmega päripäeva.

► **Joon.12:** 1. Fiksaatornutri võti 2. Võllilukk

Ketta eemaldamiseks järgige paigaldamise protseduuri vastupidises järjekorras.

## Lõikeketta paigaldamine või eemaldamine

### Valikuline tarvik

**⚠HOIATUS:** Kasutage alati kaasasolevat kaitset, kui tööriistal on painduv ketta. Kui ketta peaks töötamisel tükkiideks purunema, aitab kaitse vigastusi vältida.

► **Joon.13:** 1. Fiksaatormutter 2. Painduv ketta 3. Tugipadi 4. Siseäärik

Järgige nõgusa keskosaga ketta juhtnõore, kuid kasutage kettal ka tugipatja. Vt kokkupaneku järjekorda selle kasutusjuhendi tarvikute leheküljelt.

## Lihvketta paigaldamine või eemaldamine

### Valikuline tarvik

**MÄRKUS:** Kasutage kasutusjuhendis nimetatud lihvtarvikuid. Need tuleb osta eraldi.

## 100 mm mudel

► **Joon.14:** 1. Lihvimise fiksaatormutter 2. Lihvketas 3. Kummist tugiketas 4. Siseäärik



1. Paigaldage siseäärik völliile.
2. Paigaldage kummist tugiketas völliile.
3. Sobitage ketas kummist tugiketale ja kruvige lihvimise fiksaatormutter völliile.
4. Hoidke völli koos völliilukuga ja pingutage lihvimise fiksaatornutrit lukustusmutri mutrivötmega päripäeva.

Ketta eemaldamiseks tegutsege paigaldamise protseduurile vastupidises järjekorras.

## 115 mm / 125 mm mudel

- **Joon.15:** 1. Lihvimise fiksaatormutter 2. Lihvketas 3. Kummist tugiketas

1. Paigaldage kummist tugiketas völliile.
  2. Sobitage ketas kummist tugiketale ja kruvige lihvimise fiksaatormutter völliile.
  3. Hoidke völli koos völliilukuga ja pingutage lihvimise fiksaatornutrit lukustusmutri mutrivötmega päripäeva.
- Ketta eemaldamiseks tegutsege paigaldamise protseduurile vastupidises järjekorras.

## TÖÖRIISTA KASUTAMINE

**▲HOIATUS:** Ärge kasutage tööriista suhtes kunagi jõudu. Tööriista enda raskus annab piisava surve. Ülemäärane surumine ja surve võivad põhjustada ketta ohtliku purunemise.

**▲HOIATUS:** Vahetage ketas ALATI välja, kui tööriist on käimise ajal maha kukkunud.

**▲HOIATUS:** Ärge lööge KUNAGI käiaketast vastu töödeldavat detaili.

**▲HOIATUS:** Vältige ketta kinnikiilumist ja vastu töödeldavat pinda pörkumist, eriti siis, kui töötate nurkades ja teravate servadega jne. See võib põhjustada ohtlikke tagasilööke.

**▲HOIATUS:** Ärge kasutage tööriista puude saagimise saelehtedega ega muude saelehtedega. Selliste saelehtede kasutamisel lihvijaga annavad need sageli tagasilöögi ja toovad endaga kaasa kontrolli kaotamise, mis põhjustab vigastuste tekkimist.

**▲ETTEVAATUST:** Ärge käivitage kunagi tööriista, mis on kontaktis töödeldava pinna või detailiga, sest see võib kaasa tuua ohtlikke vigastusi.

**▲ETTEVAATUST:** Kandke töö juures alati kaitseprille või näokatet.

**▲ETTEVAATUST:** Pärast tööd lülitage tööriist alati välja ja oodake enne tööriista käest panemist, kuni ketas on täielikult seiskunud.

**▲ETTEVAATUST:** Hoidke tööriista ALATI kindlalt ühe käega kerest ja teisega külkäepidemest.

## Käimise ja lihvimise režiim

### ► Joon.16

Lülitage tööriist sisse ja alustage seejärel kettaga pinna või detaili töötlemist.

Tavaliselt hoidke ketta serva töödeldava pinna suhtes u 15° nurga all.

Uue ketta sissetöötamisperioodil ärge töötage käiaga edasisuunas; sest midu võib ketas lõikuda töödeldavasse pinda. Kui ketta serv on töö käigus ümaraks muutunud, võib ketast kasutada nii edasi- kui ka tagasisuunas.

## Lihv-/teemantketta käitamine

### Valikuline tarvik

**▲HOIATUS:** Kui kasutate lihv-/teemantketast, siis valige kindlasti spetsiaalselt selle lõikekettaga kasutamiseks mõeldud kettakaitse.

(Mõnes Euroopa riigis võib teemantketta puhul kasutada tavalist kettakaitset. Järgige oma riigis kehtivaid eeskirju.)

**▲HOIATUS:** ÄRGE KUNAGI kasutage lõikeketast külglihvimiseks.

**▲HOIATUS:** Ärge ummistage ketast ega rakendage liigset jõudu. Ärge püüdke teha liiga sügavat lõiget. Liigse jõu rakendamine suurendab koormust ja ketta väänamist või kinnikiilumist olenäosust lõikekäljles ning tagasilöögi, ketta purunemise ja mootori ülekuumenemise võimalusi.

**▲HOIATUS:** Ärge käivitage töödeldava detaili lõikeoperatsiooni. Laske kettal saavutada täiskirrus ja sisenege hoolikalt lõikesse, liigutades tööriista üle töödeldava detaili pinna. Kui elektritööriist taaskäivitatakse töödeldava detaili sees, võib ketas kinni jääda, ülespoole liikuda või põhjustada tagasilöögi.

**▲HOIATUS:** Ärge kunagi muutke ketta nurka lõikeoperatsiooni ajal. Lõikeketastele külgsurve rakendamine (nagu lihvimisel) põhjustab ketta mõranemise ja purunemise, mis võib kaasa tuua tõsisid vigastusi.

**▲HOIATUS:** Teemantketast tuleb kasutada lõigatava materjali suhtes ristloodis.

- **Joon.17:** 1. Fiksaatormutter 2. Lihv-/teemantketas 3. Siseäärik 4. Lihv-/teemantketta ketta kaitse

Paigaldamisel järgige nõgusa keskosaga ketast puudutavaid juhtnööre.

Fiksaatornutri ja siseääriku suund on oleb monteerimisel ketta tüübist ja paksusest.

Vt järgmisi jooniseid.

## 100 mm mudel

Lihvketta paigaldamine:

- **Joon.18:** 1. Fiksaatormutter 2. Lihvketas (õhem kui 4 mm) 3. Lihvketas (4 mm või paksem) 4. Siseäärik

Teemantketta paigaldamine:

- **Joon.19:** 1. Fiksaatormutter 2. Teemantketas (õhem kui 4 mm) 3. Teemantketas (4 mm või paksem) 4. Siseäärik

## 115 mm / 125 mm mudel

### Lihvketta paigaldamine:

- **Joon.20:** 1. Fiksaatormutter 2. Lihvketas (õhem kui 4 mm) 3. Lihvketas (4 mm või paksem) 4. Siseäärrik

### Teemantketta paigaldamine:

- **Joon.21:** 1. Fiksaatormutter 2. Teemantketas (õhem kui 4 mm) 3. Teemantketas (4 mm või paksem) 4. Siseäärrik

## Traatidega kaussharja käitamine

### Valikuline tarvik

**⚠ETTEVAATUST:** Kontrollige harja tööd, lastes tööriistal tühjal käia ja kandes hoolt selle eest, et keegi ei asuks harja ees või sellega ühel joonel.

**⚠ETTEVAATUST:** Ärge kasutage kahjustatud või balanseerimata harja. Kahjustatud harja kasutamine võib suurendada harja katkiste terasharjaste põhjustatud vigastusohtu.

- **Joon.22:** 1. Kausshari Terasharjad

Eemaldage akukassett tööriista küljest ja asetage tööriist tagurpidi, et võimaldada hõlpsat juurdepääsu võllile.

Eemaldage võllilt kõik tarvikud. Paigaldage terashari võllile ja keerake kaasasoleva mutrivõtmega kinni.

**TÄHELEPANU:** Vältige liigse jõu rakendamist, mis põhjustab traatide ülemääraast paindumist harjamise ajal. See võib põhjustada enneaegset purunemist.

## Ketastraatharja käitamine

### Valikuline tarvik

**⚠ETTEVAATUST:** Kontrollige ketastraatharja tööd, lastes tööriistal tühjal käia ja kandes hoolt selle eest, et keegi ei asuks ketastraatharja ees või sellega ühel joonel.

**⚠ETTEVAATUST:** Ärge kasutage kahjustatud või tasakaalustamata ketastraatharja. Kahjustatud ketastraatharja kasutamine võib suurendada katkiste harjaste põhjustatud vigastusohtu.

**⚠ETTEVAATUST:** Kasutage ketastraatharjadega töötamisel ALATI kaitset, valides ketta diameetrile sobiva suuruse. Kui ketas peaks töötamisel tükikideks purunema, aitab kaitse vigastusi vältida.

- **Joon.23:** 1. Ketastraathari

Eemaldage akukassett tööriista küljest ja asetage tööriist tagurpidi, et võimaldada hõlpsat juurdepääsu võllile.

Eemaldage võllilt kõik tarvikud. Keerake ketastraathari võllile ja kinnitage mutrivõtmega.

**TÄHELEPANU:** Vältige liigse jõu rakendamist, mis põhjustab traatide ülemääraast paindumist ketastraatharja kasutamise ajal. See võib põhjustada enneaegset purunemist.

## HOOLDUS

**⚠ETTEVAATUST:** Enne kontrolli- või hooldustoimingute tegemist kandke alati hoolt selle eest, et tööriist oleks välja lülitatud ja akukassett korpuse küljest eemaldatud.

**TÄHELEPANU:** Ärge kunagi kasutage bensiini, vedeldit, alkoholi ega midagi muud sarnast. Selle tulemuseks võib olla luitumine, deformatsioon või pragunemine.

## Ventilatsioonitava puhastamine

Tööriist ja selle ventilatsioonitavad peavad olema puhtad. Puhastage tööriista ventilatsioonitavasid regulaarselt või siis, kui need hakkavad ummistuma.

- **Joon.24:** 1. Väljalaskeava 2. Sisselaskeava

Eemaldage ventilatsioonitavaltoimukate ja puhastage seda, et tagada sujuv õhuringlus.

- **Joon.25:** 1. Tolmukate

**MÄRKUS:** Puhastage tolmuksat, kui see on tolmu või võõrkehadega ummistunud. Töö jätkamine ummistunud tolmuksatiga võib tööriista kahjustada.

# VALIKULISED TARVIKUD

**⚠ETTEVAATUST:** Neid tarvikuid ja lisaseadiseid on soovitatav kasutada koos Makita tööriistaga, mille kasutamist selles kasutusjuhendis kirjeldatakse. Muude tarvikute ja lisaseadiste kasutamisega kaasneb vigastada saamise oht. Kasutage tarvikuid ja lisaseadiseid ainult otstarbekohaselt.

Saate vajaduse korral kohalikust Makita teeninduskeskusest lisateavet nende tarvikute kohta.

- Makita algupärane aku ja laadija

► Joon.26

-	100 mm mudel	115 mm mudel	125 mm mudel
1	Käepide 36		
2	Kettakaitse (lihvketas)		
3	Siseäärrik		
4	Nõgusa keskosaga ketas / lamellketas		
5	Fiksaatormutter		
6	Tugipadi		
7	Painduv ketas		
8	Siseäärrik ja kummist tugiketast 76	Kummist tugiketas nr 100	Kummist tugiketas nr 115
9	Lihvketas		
10	Lihvimise fiksaatormutter		
11	Ketastraathari		
12	Kausshari Terasharjad		
13	Kettakaitse (löikeketas) *1		
14	Lihv-/teemantketas		
-	Fiksaatormutri võti		

**MÄRKUS:** \*1 Osas Euroopa riikides võib teemantketta kasutamisel kasutada tavalist kaitsekatet, mitte mõlemat ketta külge varjavat spetsiaalset kaitsekatet. Järgige oma riigis kehtivaid eeskirju.

**MÄRKUS:** Mõned nimekirjas loetletud tarvikud võivad kuuluda standardvarustusse ning need on lisatud tööriista pakendisse. Need võivad riigiti erineda.

## ТЕХНИЧЕСКИЕ ХАРАКТЕРИСТИКИ

Модель:		DGA408	DGA458	DGA508
Диаметр диска		100мм (4дюйма)	115мм (4-1/2дюйма)	125мм (5дюймов)
Макс. толщина диска		6,4мм		
Резьба шпинделя		M10	M14 или 5/8дюйма (зависит от страны)	
Номинальное число оборотов (n)		8 500мин <sup>-1</sup>		
Общая длина	С блоком аккумулятора BL1815N, BL1820, BL1820B	348мм		
	С блоком аккумулятора BL1830, BL1830B, BL1840, BL1840B, BL1850, BL1850B, BL1860B	362мм		
Масса нетто	С блоком аккумулятора BL1815N, BL1820, BL1820B	2,2кг	2,4кг	
	С блоком аккумулятора BL1830, BL1830B, BL1840, BL1840B, BL1850, BL1850B, BL1860B	2,5кг	2,6кг	
Номинальное напряжение		18 В пост. тока		

- Благодаря нашей постоянно действующей программе исследований и разработок указанные здесь технические характеристики могут быть изменены без предварительного уведомления.
- Технические характеристики и аккумуляторный блок могут отличаться в зависимости от страны.
- Масса (с аккумуляторным блоком) в соответствии с процедурой ЕРТА 01.2003

### Назначение

Инструмент предназначен для шлифовки, зачистки и резки материалов из металла и камня без использования воды.

### Шум

Типичный уровень взвешенного звукового давления (A), измеренный в соответствии с EN60745:

#### Модель DGA458

Уровень звукового давления ( $L_{pA}$ ): 80 дБ (A)

Погрешность (K): 3 дБ (A)

#### Модель DGA508

Уровень звукового давления ( $L_{pA}$ ): 79 дБ (A)

Погрешность (K): 3 дБ (A)

Уровень шума при выполнении работ может превышать 80 дБ (A).

**⚠ ОСТОРОЖНО: Используйте средства защиты слуха.**

### Вибрация

Суммарное значение вибрации (сумма векторов по трем осям), определенное в соответствии с EN60745:

#### Модель DGA458

Рабочий режим: плоское шлифование с использованием обычной боковой ручки

Распространение вибрации ( $a_{h,AG}$ ): 5,5м/с<sup>2</sup>

Погрешность (K): 1,5 м/с<sup>2</sup>

Рабочий режим: плоское шлифование с использованием антивибрационной боковой ручки

Распространение вибрации ( $a_{h,AG}$ ): 5,0м/с<sup>2</sup>

Погрешность (K): 1,5 м/с<sup>2</sup>

Рабочий режим: шлифование с использованием обычной боковой ручки

Распространение вибрации ( $a_{h,DS}$ ): 2,5 м/с<sup>2</sup> или менее

Погрешность (K): 1,5 м/с<sup>2</sup>

Рабочий режим: шлифование с использованием антивибрационной боковой ручки

Распространение вибрации ( $a_{h,DS}$ ): 2,5 м/с<sup>2</sup> или менее

Погрешность (K): 1,5 м/с<sup>2</sup>

#### Модель DGA508

Рабочий режим: плоское шлифование с использованием обычной боковой ручки

Распространение вибрации ( $a_{h,AG}$ ): 6,0м/с<sup>2</sup>

Погрешность (K): 1,5 м/с<sup>2</sup>

Рабочий режим: плоское шлифование с использованием антивибрационной боковой ручки

Распространение вибрации ( $a_{h,AG}$ ): 5,5м/с<sup>2</sup>

Погрешность (K): 1,5 м/с<sup>2</sup>

Рабочий режим: шлифование с использованием обычной боковой ручки

Распространение вибрации ( $a_{h,DS}$ ): 2,5 м/с<sup>2</sup> или менее

Погрешность (K): 1,5 м/с<sup>2</sup>

Рабочий режим: шлифование с использованием антивибрационной боковой ручки

Распространение вибрации ( $a_{h,DS}$ ): 2,5 м/с<sup>2</sup> или менее

Погрешность (K): 1,5 м/с<sup>2</sup>

**ПРИМЕЧАНИЕ:** Заявленное значение распространения вибрации измерено в соответствии со стандартной методикой испытаний и может быть использовано для сравнения инструментов.

**ПРИМЕЧАНИЕ:** Заявленное значение распространения вибрации можно также использовать для предварительных оценок воздействия.

**⚠ОСТОРОЖНО:** Распространение вибрации во время фактического использования электроинструмента может отличаться от заявленного значения в зависимости от способа применения инструмента.

**⚠ОСТОРОЖНО:** Обязательно определите меры безопасности для защиты оператора, основанные на оценке воздействия в реальных условиях использования (с учетом всех этапов рабочего цикла, таких как выключение инструмента, работа без нагрузки и включение).

**⚠ОСТОРОЖНО:** Заявленное значение распространения вибрации относится к основным операциям, выполняемым с помощью электроинструмента. Однако если электроинструмент используется для других целей, уровень вибрации может отличаться.

## Декларация о соответствии ЕС

### Только для европейских стран

Makita заявляет, что следующее устройство (устройства):

Обозначение устройства: Аккумуляторная угловая шлифмашина

Модель / тип: DGA458, DGA508

Соответствует(-ют) следующим директивам ЕС: 2006/42/ЕС

Изготовлены в соответствии со следующим стандартом или нормативными документами: EN60745

Технический файл в соответствии с документом 2006/42/ЕС доступен по адресу:

Makita, Jan-Baptist Vinkstraat 2, 3070, Belgium  
11.8.2015



Ясуси Фукая (Yasushi Fukaya)

Директор

Makita, Jan-Baptist Vinkstraat 2, 3070, Belgium

## Общие рекомендации по технике безопасности для электроинструментов

**⚠ОСТОРОЖНО:** Ознакомьтесь со всеми инструкциями и рекомендациями по технике безопасности. Невыполнение инструкций и рекомендаций может привести к поражению электротоком, пожару и/или тяжелым травмам.

## Сохраните брошюру с инструкциями и рекомендациями для дальнейшего использования.

Термин "электроинструмент" в предупреждениях относится ко всему инструменту, работающему от сети (с проводом) или на аккумуляторах (без провода).

## Правила техники безопасности при эксплуатации аккумуляторной шлифовальной машины

Общие предупреждения о правилах техники безопасности при выполнении шлифования, зачистки проволочной щеткой или абразивной резки:

1. **Данный электроинструмент предназначен для шлифования, зачистки проволочной щеткой и абразивной резки. Ознакомьтесь со всеми представленными инструкциями по технике безопасности, указаниями, иллюстрациями и техническими характеристиками, прилагаемыми к данному электроинструменту.** Несоблюдение каких-либо инструкций, указанных ниже, может привести к поражению электрическим током, пожару и/или серьезной травме.
2. **Не рекомендуется пользоваться данным инструментом для выполнения таких операций, как полировка.** Использование инструмента не по прямому назначению может привести к опасной ситуации и стать причиной травмы.
3. **Не используйте принадлежности других производителей, не рекомендованные производителем данного инструмента.** Даже если принадлежность удастся закрепить на инструменте, это не обеспечит безопасность эксплуатации.
4. **Номинальная скорость принадлежностей должна быть как минимум равна максимальной скорости, обозначенной на инструменте.** При превышении номинальной скорости принадлежности она может разломиться на части.
5. **Внешний диаметр и толщина принадлежности должны соответствовать номинальной мощности инструмента.** Принадлежности, размер которых подобран неверно, не гарантируют безопасности и точности управления.
6. **Резьбовые отверстия дополнительных принадлежностей должны совпадать с резьбой шпинделя шлифмашины. Для принадлежностей, устанавливаемых с помощью фланцев, отверстие для шпинделя на принадлежности должно соответствовать диаметру фланца.** Принадлежности, не соответствующие монтажному креплению электроинструмента, приведут к разбалансировке, сильной вибрации и потере контроля.
7. **Не используйте поврежденные принадлежности. Перед каждым использованием принадлежностей типа абразивных дисков проверяйте их на наличие сколов и трещин,**

проверяйте опорные фланцы на наличие трещин, задиров или чрезмерного износа, а проволочные щетки - на наличие выпавших или сломанных проволок. Если вы уронили инструмент или принадлежность, осмотрите их на предмет повреждений или установите исправную принадлежность. После осмотра и установки принадлежности встаньте в безопасном положении относительно плоскости вращения принадлежности (и проследите, чтобы это сделали окружающие) и включите инструмент на максимальной скорости без нагрузки на одну минуту. Поврежденная принадлежность обычно ломается в течение пробного периода.

8. **Надевайте индивидуальные средства защиты. В зависимости от выполняемых операций используйте защитную маску или защитные очки. При необходимости надевайте респиратор, средство защиты органов слуха, перчатки и защитный передник для защиты от небольших частиц абразивных материалов или детали.** Средства защиты органов зрения должны предохранять от летящих фрагментов, появляющихся при выполнении различных операций. Пылезащитная маска или респиратор должны обеспечивать фильтрацию пыли, возникающей во время работы. Продолжительное воздействие сильного шума может стать причиной потери слуха.
9. **Посторонние лица должны находиться на безопасном расстоянии от рабочей зоны. Любая приближающийся к рабочему месту человек должен предварительно надеть индивидуальные средства защиты.** Осколки заготовки или сломавшейся принадлежности могут разлететься и причинить травму даже на значительном удалении от рабочего места.
10. **Если при выполнении работ существует риск контакта режущего инструмента со скрытой электропроводкой, держите электроинструмент только за специально предназначенные изолированные поверхности.** Контакт с проводом под напряжением приведет к тому, что металлические детали инструмента также будут под напряжением, что приведет к поражению оператора электрическим током.
11. **Не кладите инструмент, пока принадлежность полностью не остановится.** Вращающаяся насадка может коснуться поверхности, и вы не удержите инструмент.
12. **Не включайте инструмент во время переноски.** Случайный контакт с вращающейся принадлежностью может привести к заземлению одежды и притягиванию принадлежности к телу.
13. **Регулярно прочищайте вентиляционные отверстия инструмента.** Вентилятор электродвигателя засасывает пыль внутрь корпуса, а значительные отложения металлической пыли могут привести к поражению электрическим током.
14. **Не используйте инструмент вблизи горючих материалов.** Эти материалы могут воспламениться от искр.

15. **Не используйте принадлежности, требующие жидкостного охлаждения.** Использование воды или других охлаждающих жидкостей может привести к поражению электротоком.

#### **Отдача и соответствующие предупреждения**

Отдача – это мгновенная реакция на неожиданное застопоривание вращающегося диска, опорной подушки, щетки или другой принадлежности. Зажимание или застопоривание вызывает резкий останов вращающейся принадлежности, что, в свою очередь, приводит к неконтролируемому рывку инструмента в направлении, противоположном вращению принадлежности в момент застревания. Например, если абразивный диск зажимается или прихватывается деталью, край диска, находящийся в точке заклинивания, может углубиться в поверхность детали, что приведет к выкатыванию или выскакиванию диска. Диск может совершить рывок в направлении оператора или обратно, в зависимости от направления перемещения диска в точке заклинивания. Также в этих условиях абразивные диски могут сломаться.

Отдача – это результат неправильного использования электроинструмента и/или неправильных методов или условий работ, чего можно избежать, соблюдая нижеуказанные меры предосторожности.

1. **Крепко держите электроинструмент и располагайте свое тело и руки так, чтобы можно было сопротивляться силам отдачи. Обязательно пользуйтесь вспомогательной рукояткой (при наличии), чтобы обеспечить максимальный контроль над отдачей или крутящим моментом во время пуска.** Оператор способен справиться с крутящим моментом и силами отдачи при условии соблюдения соответствующих мер безопасности.
2. **Берегите руки от вращающейся насадки.** При отдаче насадка может задеть ваши руки.
3. **Не становитесь на возможной траектории движения инструмента в случае отдачи.** При отдаче инструмент сместится в направлении, противоположном вращению диска в момент застревания.
4. **Соблюдайте особую осторожность при обработке углов, острых краев и т. п. Не допускайте ударов и застревания принадлежности.** Углы, острые края и удары способствуют прихватыванию вращающейся принадлежности, которое приводит к выходу из-под контроля или отдаче.
5. **Не устанавливайте на инструмент пильную цепь, принадлежность для резьбы по дереву или пильный диск.** Такие пилы часто дают отдачу и приводят к потере контроля.

#### **Специальные предупреждения о безопасности для операций шлифования и абразивной резки:**

1. **Используйте диски только рекомендованных для вашего электроинструмента типов и специальные защитные приспособления, разработанные для выбранного диска.** Диски, не предназначенные для данного инструмента, не обеспечивают достаточную степень защиты и небезопасны.

2. Шлифовальная поверхность дисков с утопленным центром должна быть установлена под плоской поверхностью кромки кожуха. Для неправильно установленного диска, выступающего над плоской поверхностью кромки кожуха, надлежащая защита не гарантируется.
3. Ограждение должно быть надежно закреплено на инструменте и расположено для обеспечения максимальной защиты таким образом, чтобы как можно меньший сегмент диска выступал наружу. Кожух помогает обезопасить оператора от разлета осколков разрушившегося диска, случайного прикосновения к диску и искр, которые могут воспламенить одежду.
4. Диски должны использоваться только по рекомендованному назначению. Например: не шлифуйте краем отрезного диска. Абразивные отрезные диски предназначены для периферийного шлифования, и боковые усилия, приложенные к таким дискам, могут вызвать их разрушение.
5. Обязательно используйте неповрежденные фланцы для дисков соответствующего размера и формы. Подходящие фланцы поддерживают диск, снижая вероятность его повреждения. Фланцы для отрезных дисков могут отличаться от фланцев для шлифовальных дисков.
6. Не используйте изношенные диски от более крупных электроинструментов. Диски, предназначенные для более мощного электроинструмента, не подходят для высокоскоростного электроинструмента меньшей мощности и могут разломиться.

**Дополнительные специальные предупреждения о безопасности для операций абразивной резки:**

1. Не «заклинивайте» отрезной диск и не прикладывайте к нему чрезмерное давление. Не пытайтесь делать слишком глубокий разрез. Перенапряжение диска увеличивает нагрузку и вероятность искривления или застревания диска в прорези, а также отдачи или поломки диска.
2. Не становитесь на возможной траектории движения вращающегося диска и позади него. Если во время работы диск движется от вас, то при отдаче вращающийся диск и инструмент может отбросить прямо на вас.
3. Если диск застревает или процесс резания прерывается по другой причине, выключите электроинструмент и держите его неподвижно до полной остановки диска. Не пытайтесь извлечь отрезной диск из разреза до полной остановки диска, в противном случае может возникнуть отдача. Выясните и устраните причину застревания диска.
4. Не перезапускайте отрезной диск, пока он находится в детали. Дождитесь, пока диск разовьет максимальную скорость, и осторожно погрузите его в разрез. Диск может застрять, отдача может отбросить его вверх или назад, если перезапустить электроинструмент непосредственно в детали.

5. Устанавливайте опоры под панели или большие детали, чтобы уменьшить риск застревания диска и возникновения отдачи. Большие детали имеют тенденцию к прогибанию под собственным весом. При резании таких панелей необходимо поместить опоры под разрезаемой деталью рядом с линией разреза и рядом с краем детали с обеих сторон диска.
6. Будьте особенно осторожны при выполнении врезки в существующих стенах или на других участках, недоступных для осмотра. Выступающая часть диска может перерезать газовые или водопроводные трубы, электропроводку или детали, что может вызвать отдачу.

**Специальные инструкции по технике безопасности для выполнения операций шлифовки:**

1. Не пользуйтесь наждачной бумагой слишком большого размера. При выборе наждачной бумаги следуйте рекомендациям производителя. Большие размеры наждачной бумаги, выступающей за края подложки, могут привести к разрыву бумаги, застреванию, разрушению круга или отдаче.

**Специальные инструкции по технике безопасности, относящиеся к операциям очистки проволоочной щеткой:**

1. Берегитесь проволоки, которая разлетается от щетки даже в нормальном режиме работы. Не прикладывайте чрезмерное усилие на проволоку, слишком сильно нажимая на щетку. Проволока щетки может легко пробить одежду и/или кожу.
2. Если для работы по очистке проволоочными щетками рекомендуется использовать кожух, не допускайте контакта проволоочного диска или щетки с кожухом. Проволоочный диск или щетка могут увеличиваться в диаметре под воздействием нагрузки и центробежных сил.

**Дополнительные правила техники безопасности:**

1. При применении дисков с утопленным центром используйте только диск, армированные стекловолокном.
2. ЗАПРЕЩАЕТСЯ ИСПОЛЬЗОВАТЬ с этим инструментом шлифовальные чашки для камня. Данная шлифмашина не предназначена для дисков такого типа, их использование может привести к тяжелой травме.
3. Будьте осторожны во избежание повреждения шпинделя, фланца (особенно его установочной поверхности) или контргайки. Повреждения этих деталей могут привести к поломке диска.
4. Перед включением выключателя убедитесь, что диск не касается детали.
5. Перед использованием инструмента на реальной детали дайте ему немного поработать вхолостую. Следите за вибрацией или биением, которые могут свидетельствовать о неправильной установке или плохой балансировке диска.

6. Для выполнения шлифования пользуйтесь соответствующей поверхностью диска.
7. Не оставляйте работающий инструмент без присмотра. Включайте инструмент только тогда, когда он находится в руках.
8. Сразу после окончания работ не прикасайтесь к обработанной детали. Она может быть очень горячей, что приведет к ожогам кожи.
9. Соблюдайте инструкции изготовителя по правильной установке и использованию дисков. Бережно обращайтесь с дисками и аккуратно храните их.
10. Не пользуйтесь отдельными переходными втулками или адаптерами для крепления абразивных дисков с большими отверстиями.
11. Пользуйтесь только фланцами, предназначенными для данного инструмента.
12. Для инструментов, предназначенных для использования дисков с резьбовым отверстием, убедитесь, что резьба диска достаточна, чтобы диск можно было полностью завернуть на шпindel.
13. Убедитесь, что обрабатываемая деталь имеет надлежащую опору.
14. Обратите внимание на то, что диск будет некоторое время вращаться после выключения инструмента.
15. Если в месте выполнения работ очень высокая температура и влажность или наблюдается большое количество токопроводящей пыли, используйте прерыватель цепи (30 мА) для обеспечения безопасности работ.
16. Не используйте инструмент на любых материалах, содержащих асбест.
17. При использовании отрезного диска, всегда работайте с защитным кожухом с патрубком для удаления пыли, установка которого необходима в соответствии с местными нормативными требованиями.
18. Не подвергайте отрезные круги какому-либо боковому давлению.
19. Не пользуйтесь тканевыми перчатками во время работы. Волокна от тканевых перчаток могут попасть в инструмент и привести к его поломке.

## СОХРАНИТЕ ДАННЫЕ ИНСТРУКЦИИ.

**⚠ОСТОРОЖНО:** НЕ ДОПУСКАЙТЕ, чтобы удобство или опыт эксплуатации данного устройства (полученный от многократного использования) доминировали над строгим соблюдением правил техники безопасности при обращении с этим устройством. НЕПРАВИЛЬНОЕ ИСПОЛЬЗОВАНИЕ инструмента или несоблюдение правил техники безопасности, указанных в данном руководстве, может привести к тяжелой травме.

## Важные правила техники безопасности для работы с аккумуляторным блоком

1. Перед использованием аккумуляторного блока прочитайте все инструкции и предупреждающие надписи на (1) зарядном устройстве, (2) аккумуляторном блоке и (3) инструменте, работающем от аккумуляторного блока.
2. Не разбирайте аккумуляторный блок.
3. Если время работы аккумуляторного блока значительно сократилось, немедленно прекратите работу. В противном случае, может возникнуть перегрев блока, что приведет к ожогам и даже к взрыву.
4. В случае попадания электролита в глаза промойте их обильным количеством чистой воды и немедленно обратитесь к врачу. Это может привести к потере зрения.
5. Не замыкайте контакты аккумуляторного блока между собой:
  - (1) Не прикасайтесь к контактам какими-либо токопроводящими предметами.
  - (2) Не храните аккумуляторный блок в контейнере вместе с другими металлическими предметами, такими как гвозди, монеты и т. п.
  - (3) Не допускайте попадания на аккумуляторный блок воды или дождя.
 Замыкание контактов аккумуляторного блока между собой может привести к возникновению большого тока, перегреву, возможному ожогу и даже поломке блока.
6. Не храните инструмент и аккумуляторный блок в местах, где температура может достигать или превышать 50 °C (122 °F).
7. Не бросайте аккумуляторный блок в огонь, даже если он сильно поврежден или полностью вышел из строя. Аккумуляторный блок может взорваться под действием огня.
8. Не роняйте и не ударяйте аккумуляторный блок.
9. Не используйте поврежденный аккумуляторный блок.
10. Входящие в комплект литий-ионные аккумуляторы должны эксплуатироваться в соответствии с требованиями законодательства об опасных товарах.
 

При коммерческой транспортировке, например, третьей стороной или экспедитором, необходимо нанести на упаковку специальные предупреждения и маркировку.

В процессе подготовки устройства к отправке обязательно проконсультируйтесь со специалистом по опасным материалам. Также соблюдайте местные требования и нормы. Они могут быть строже.

Закройте или закрепите разомкнутые контакты и упакуйте аккумулятор так, чтобы он не перемещался по упаковке.



11. Выполняйте требования местного законодательства относительно утилизации аккумуляторного блока.

## СОХРАНИТЕ ДАННЫЕ ИНСТРУКЦИИ.

**ВНИМАНИЕ:** Используйте только фирменные аккумуляторные батареи Makita.

Использование аккумуляторных батарей, не произведенных Makita, или батарей, которые были подвергнуты модификациям, может привести к взрыву аккумулятора, пожару, травмам и повреждению имущества. Это также автоматически аннулирует гарантию Makita на инструмент и зарядное устройство Makita.

## Советы по обеспечению максимального срока службы аккумулятора

1. Заряжайте блок аккумуляторов перед его полной разрядкой. Обязательно прекратите работу с инструментом и зарядите блок аккумуляторов, если вы заметили снижение мощности инструмента.
2. Никогда не подзаряжайте полностью заряженный блок аккумуляторов. Перезарядка сокращает срок службы аккумулятора.
3. Заряжайте блок аккумуляторов при комнатной температуре в 10 - 40 °C (50 - 104 °F). Перед зарядкой горячего блока аккумуляторов дайте ему остыть.
4. Зарядите ионно-литиевый аккумуляторный блок, если вы не будете пользоваться инструментом длительное время (более шести месяцев).

## ОПИСАНИЕ РАБОТЫ

**ВНИМАНИЕ:** Перед регулировкой или проверкой функций инструмента обязательно убедитесь, что он выключен и его аккумуляторный блок снят.

### Установка или снятие блока аккумуляторов

**ВНИМАНИЕ:** Обязательно выключайте инструмент перед установкой и извлечением аккумуляторного блока.

**ВНИМАНИЕ:** При установке и извлечении аккумуляторного блока крепко удерживайте инструмент и аккумуляторный блок. Если не соблюдать это требование, они могут выскользнуть из рук, что приведет к повреждению инструмента, аккумуляторного блока и травмированию оператора.

- Рис. 1: 1. Красный индикатор 2. Кнопка 3. Блок аккумулятора

Для снятия аккумуляторного блока нажмите кнопку на лицевой стороне и извлеките блок.

Для установки аккумуляторного блока совместите выступ аккумуляторного блока с пазом в корпусе и задвиньте его на место. Устанавливайте блок до упора так, чтобы он зафиксировался на месте с небольшим щелчком. Если вы можете видеть красный индикатор на верхней части клавиши, адаптер аккумулятора не полностью установлен на месте.

**ВНИМАНИЕ:** Обязательно устанавливайте аккумуляторный блок до конца, чтобы красный индикатор не был виден. В противном случае аккумуляторный блок может выпасть из инструмента и нанести травму вам или другим людям.

**ВНИМАНИЕ:** Не прилагайте чрезмерных усилий при установке аккумуляторного блока. Если блок не движется свободно, значит он вставлен неправильно.

## Индикация оставшегося заряда аккумулятора

Только для аккумуляторных блоков, номер модели которых заканчивается на "B"

► Рис.2: 1. Индикаторы 2. Кнопка проверки

Нажмите кнопку проверки на аккумуляторном блоке для проверки заряда. Индикаторы загорятся на несколько секунд.

Индикаторы			Уровень заряда
Горит	Выкл.	Мигает	
■ ■ ■ ■			от 75 до 100%
■ ■ ■ □			от 50 до 75%
■ ■ □ □			от 25 до 50%
■ □ □ □			от 0 до 25%
▣ □ □ □			Зарядите аккумуляторную батарею.
■ ■ □ □			Возможно, аккумуляторная батарея неисправна.
□ □ ■ ■			

**ПРИМЕЧАНИЕ:** В зависимости от условий эксплуатации и температуры окружающего воздуха индикация может незначительно отличаться от фактического значения.

## Индикация оставшегося заряда аккумулятора

### В зависимости от страны

При включении инструмента индикатор аккумулятора показывает оставшуюся емкость аккумулятора.

► **Рис.3:** 1. Индикатор аккумулятора

Оставшаяся емкость аккумулятора приведена в следующей таблице.

Состояние индикатора аккумуляторной батареи			Уровень заряда аккумулятора
Вкл.	Выкл.	Мигает	
			50 - 100 %
			20 - 50%
			0 - 20%
			Зарядите аккумулятор

## Система защиты инструмента/ аккумулятора

На инструменте предусмотрена система защиты инструмента/аккумулятора. Она автоматически отключает питание двигателя для продления срока службы инструмента и аккумулятора. Инструмент автоматически остановится без включения каких-либо индикаторов. В этом случае выключите инструмент и прекратите работу, повлекшую перегрузку инструмента. Затем включите инструмент для перезапуска.

### Защита от перегрузки

Если из-за способа эксплуатации инструмент потребляет очень большое количество тока, он автоматически остановится без включения каких-либо индикаторов. В этом случае выключите инструмент и прекратите работу, повлекшую перегрузку инструмента. Затем включите инструмент для перезапуска.

### Защита от перегрева

В случае перегрева инструмента он автоматически выключается и индикатор аккумулятора показывает следующее состояние. В таком случае дайте инструменту остыть, прежде чем вновь запустить его.

Вкл.	Мигает

Если инструмент не включается, значит, перегрелся аккумулятор. В этом случае дайте аккумулятору остыть перед повторным включением инструмента.

## Защита от переразрядки

При истощении емкости аккумулятора инструмент автоматически останавливается. В этом случае извлеките аккумулятор из инструмента и зарядите его.

### Выключение защитной блокировки

Если защитная система постоянно срабатывает, инструмент блокируется и индикатор аккумулятора показывает следующее состояние.

В этой ситуации инструмент не запустится даже при выключении и повторном включении. Чтобы выключить защитную блокировку, извлеките аккумулятор, установите его в зарядное устройство и дождитесь окончания зарядки.

Вкл.	Выкл.	Мигает

## Фиксатор вала

Нажмите на фиксатор вала для предотвращения вращения шпинделя при установке или снятии дополнительных принадлежностей.

► **Рис.4:** 1. Фиксатор вала

**ПРИМЕЧАНИЕ:** Никогда не задействуйте фиксатор вала при вращающемся шпинделе. Это может привести к повреждению инструмента.

## Действие выключателя

**ВНИМАНИЕ:** Перед установкой блока аккумулятора в инструмент обязательно убедиться, что его рычаг переключателя нормально работает и возвращается в положение “OFF” (ВЫКЛ.) при отпускании.

**ВНИМАНИЕ:** Не давите сильно на рычаг переключателя, не нажав на рычаг разблокировки. Это может привести к поломке переключателя.

Для предотвращения случайного нажатия рычаг переключателя оборудован рычагом разблокировки. Для включения инструмента потяните рычаг разблокировки на себя и нажмите на рычаг переключателя. Для выключения инструмента отпустите рычаг переключателя.

► **Рис.5:** 1. Рычаг разблокировки 2. Рычаг переключателя

## Функция автоматического изменения скорости

► Рис.6: 1. Индикатор режима

Состояние индикатора режима	Режим работы
	Режим высокой скорости
	Режим высокого крутящего момента

В данном инструменте предусмотрен "режим высокой скорости" и "режим высокого крутящего момента". Он автоматически меняет режим работы в зависимости от нагрузки. Если во время работы включается индикатор режима, инструмент находится в режиме высокого крутящего момента.

## Функция предотвращения случайного запуска

Даже при установке блока аккумулятора при нажатии рычага переключателя инструмент не запускается.

Для включения инструмента предварительно освободите рычаг переключателя. Затем потяните рычаг разблокировки, после этого – рычаг переключателя.

## Функция электронного контроля крутящего момента

С помощью электронного устройства инструмент определяет, что существует риск защемления диска или другой принадлежности. При выявлении таких рисков инструмент автоматически отключается для предотвращения дальнейшего вращения шпинделя (это не предотвращает отдачу).

Чтобы перезапустить инструмент, сначала отключите его. Устраните причину внезапного снижения скорости вращения и вновь включите инструмент.

## Функция плавного запуска

Функция плавного запуска снижает начальный рывок инструмента.

## Электрический тормоз

Электрический тормоз активируется после выключения инструмента.

Тормоз не активируется, если питание отключено (например при извлеченном аккумуляторе), а переключатель находится в положении Вкл.

## СБОРКА

**▲ВНИМАНИЕ:** Перед регулировкой или проверкой функций инструмента обязательно убедитесь, что он выключен и его аккумуляторный блок снят.

## Установка боковой ручки (рукоятки)

**▲ВНИМАНИЕ:** Перед работой всегда проверяйте надежность крепления боковой ручки.

Прочно закрепите боковую ручку на месте винтом, как показано на рисунке.

► Рис.7

## Установка или снятие защитного кожуха (для диска с утопленным центром, откидного круга, гибкого диска, дисковой проволочной щетки / абразивного отрезного диска, алмазного диска)

**▲ОСТОРОЖНО:** При использовании диска с утопленным центром, откидного круга, гибкого диска или дисковой проволочной щетки установите защитный кожух так, чтобы закрытая сторона кожуха была направлена к оператору.

**▲ОСТОРОЖНО:** При использовании абразивного отрезного диска/алмазного диска может применяться только специальный защитный кожух, предназначенный для отрезных дисков.

(В некоторых странах Европы при использовании алмазного диска можно применять обычный кожух. Соблюдайте требования нормативов, действующих в вашей стране.)

## Для инструмента с кожухом диска со стопорным винтом

Установите защитный кожух так, чтобы выступы на его хомуте совместились с пазами на коробке подшипника. Затем установите кожух диска под таким углом, чтобы во время работы он защищал оператора. Проверьте, чтобы винт был надежно затянут. Для снятия кожуха диска выполните процедуру установки в обратном порядке.

► Рис.8: 1. Кожух диска 2. Коробка подшипника 3. Винт

## Для инструмента с кожухом диска с зажимным рычагом

Ослабьте винт и потяните рычаг в направлении, указанном стрелкой. Установите защитный кожух так, чтобы выступы на его хомуте совместились с пазами на коробке подшипника. Затем установите кожух диска под таким углом, чтобы во время работы он защищал оператора.

► Рис.9: 1. Кожух диска 2. Коробка подшипника 3. Винт 4. Рычаг

Потяните рычаг в направлении, указанном стрелкой. Затем зафиксируйте кожух диска, затянув винт. Проверьте, чтобы винт был надежно затянут. Регулировка установочного угла кожуха диска выполняется при помощи рычага.

► **Рис.10:** 1. Винт 2. Рычаг

Для снятия кожуха диска выполните процедуру установки в обратном порядке.

## Установка и снятие диска с утопленным центром или откидного круга

### Дополнительные принадлежности

**⚠ ОСТОРОЖНО:** При использовании диска с утопленным центром или откидного круга кожух диска должен быть установлен так, чтобы его закрытая сторона была обращена к оператору.

**⚠ ВНИМАНИЕ:** Убедитесь, что крепежный компонент внутреннего фланца идеально совпадает с внутренним диаметром диска с утопленным центром/откидного круга. Установка внутреннего фланца не с той стороны может привести к возникновению опасной вибрации.

Установите на шпindelь внутренний фланец. Убедитесь, что часть с выемкой внутреннего фланца установлена на ровный участок у нижней части шпинделя.

Установите диск с утопленным центром/откидной круг на внутренний фланец и закрутите контргайку на шпинделе.

► **Рис.11:** 1. Контргайка 2. Диск с утопленным центром 3. Внутренний фланец 4. Крепежный компонент

Для затяжки контргайки сильно надавите на фиксатор вала, чтобы шпindelь не проворачивался, затем воспользуйтесь ключом контргайки и крепко затяните ее по часовой стрелке.

► **Рис.12:** 1. Ключ контргайки 2. Фиксатор вала

Для снятия диска выполните процедуру установки в обратном порядке.

## Установка и снятие гибкого диска

### Дополнительные принадлежности

**⚠ ОСТОРОЖНО:** При установке на инструмент гибкого диска обязательно используйте прилагаемый кожух. Во время работы диск может разрушиться. Защитный кожух снизит риск получения травмы.

► **Рис.13:** 1. Контргайка 2. Гибкий диск 3. Вспомогательная подушка 4. Внутренний фланец

Следуйте указаниям для диска с утопленным центром, а также установите над диском вспомогательную подушку. Порядок сборки дополнительных принадлежностей см. на соответствующей странице данного руководства.

## Установка или снятие абразивного круга

### Дополнительные принадлежности

**ПРИМЕЧАНИЕ:** Используйте принадлежности для шлифования, указанные в данном руководстве. Их необходимо приобретать отдельно.

## Модель 100 мм (4 дюйма)

► **Рис.14:** 1. Шлифовальная контргайка 2. Абразивный круг 3. Резиновая подушка 4. Внутренний фланец

1. Установите на шпindelь внутренний фланец.
2. Установите резиновую подушку на шпindelь.
3. Установите круг на резиновую подушку и наведите на шпindelь шлифовальную контргайку.
4. Закрепите шпindelь с помощью фиксатора вала и надежно затяните шлифовальную контргайку по часовой стрелке с помощью ключа.

Для снятия круга выполните процедуру установки в обратном порядке.

## Для модели 115 мм (4 - 1/2 дюйма)/125 мм (5 дюймов)

► **Рис.15:** 1. Шлифовальная контргайка 2. Абразивный круг 3. Резиновая подушка

1. Установите резиновую подушку на шпindelь.
2. Установите круг на резиновую подушку и наведите на шпindelь шлифовальную контргайку.
3. Закрепите шпindelь с помощью фиксатора вала и надежно затяните шлифовальную контргайку по часовой стрелке с помощью ключа.

Для снятия круга выполните процедуру установки в обратном порядке.

## ЭКСПЛУАТАЦИЯ

**▲ОСТОРОЖНО:** Никогда не прилагайте к инструменту чрезмерные усилия. Вес инструмента обеспечивает достаточное давление. Чрезмерное усилие и давление могут привести к опасному разрушению диска.

**▲ОСТОРОЖНО:** ОБЯЗАТЕЛЬНО замените диск, если при шлифовании инструмент упал.

**▲ОСТОРОЖНО:** ЗАПРЕЩАЕТСЯ стучать и бить шлифовальным кругом по обрабатываемой детали.

**▲ОСТОРОЖНО:** Избегайте подпрыгивания и зацепления диска, особенно при обработке углов, острых краев и т. д. Это может привести к потере контроля и отдаче.

**▲ОСТОРОЖНО:** Запрещается использовать инструмент с полотнами для обработки дерева или другими пыльными дисками. При использовании на шлифмашине такие диски часто выскакивают, выходят из-под контроля и приводят к травмам.

**▲ВНИМАНИЕ:** Запрещается включать инструмент, если он касается обрабатываемого изделия. Это может стать причиной травмы оператора.

**▲ВНИМАНИЕ:** Во время выполнения операции всегда надевайте защитные очки или защитную маску.

**▲ВНИМАНИЕ:** После работы всегда отключайте инструмент и дождитесь полной остановки диска перед тем, как положить инструмент.

**▲ВНИМАНИЕ:** ВСЕГДА крепко держите инструмент, положив одну руку на корпус, а вторую - на боковую ручку.

## Шлифовка и зачистка

### ► Рис.16

Включите инструмент, а затем прижмите диск или круг к обрабатываемой детали. Обычно следует держать край диска или круга под углом около 15 градусов относительно поверхности обрабатываемой детали. В период приработки нового диска не перемещайте шлифмашину вперед, поскольку диск может врезаться в обрабатываемую деталь. После того как кромка диска закруглится от использования, можно будет перемещать его в обоих направлениях (вперед и назад).

## Выполнение работ с абразивным отрезным/алмазным диском

### Дополнительные принадлежности

**▲ОСТОРОЖНО:** При использовании абразивного отрезного диска/алмазного диска может применяться только специальный защитный кожух, предназначенный для отрезных дисков.

(В некоторых странах Европы при использовании алмазного диска можно применять обычный кожух. Соблюдайте требования нормативов, действующих в вашей стране.)

**▲ОСТОРОЖНО:** ЗАПРЕЩАЕТСЯ использовать отрезной диск для шлифовки боковой поверхностью.

**▲ОСТОРОЖНО:** Не “заклинивайте” диск и не оказывайте на него чрезмерное давление. Не пытайтесь делать слишком глубокий разрез. Чрезмерное давление на диск увеличивает нагрузку и вероятность искривления или застревания диска в прорези, а также возможность отдачи, поломки диска и перегрева электродвигателя.

**▲ОСТОРОЖНО:** Не запускайте отрезной диск, пока он находится в детали. Дайте диску раскрутиться до максимальной скорости, а затем осторожно введите в разрез, перемещая инструмент вперед по поверхности обрабатываемой детали. Диск может застрять, отдача может отбросить его вверх или назад, если запустить электроинструмент, когда диск находится в детали.

**▲ОСТОРОЖНО:** Во время операций резания нельзя менять угол наклона диска. Боковое давление на отрезной диск (как при шлифовке) приводит к растрескиванию и разрушению диска, в результате чего возможны серьезные травмы.

**▲ОСТОРОЖНО:** Работы с алмазным диском необходимо выполнять, удерживая его перпендикулярно рабочей поверхности.

► Рис.17: 1. Контргайка 2. Абразивный отрезной диск/алмазный диск 3. Внутренний фланец 4. Защитный кожух для абразивного отрезного диска/алмазного диска

Сведения по установке см. в инструкциях к диску с утопленным центром.

**Направление установки контргайки и внутреннего фланца зависит от толщины и типа диска.** Придерживайтесь следующих значений.

## Модель 100 мм (4 дюйма)

При установке абразивного отрезного диска:

► Рис.18: 1. Контргайка 2. Абразивный отрезной диск (тоньше 4 мм (5/32 дюйма)) 3. Абразивный отрезной диск (4 мм (5/32 дюйма) или толще) 4. Внутренний фланец

При установке алмазного диска:

► Рис.19: 1. Контргайка 2. Алмазный диск (тоньше 4 мм (5/32 дюйма)) 3. Алмазный диск (4 мм (5/32 дюйма) или толще) 4. Внутренний фланец

## Для модели 115 мм (4 - 1/2 дюйма)/125 мм (5 дюймов)

При установке абразивного отрезного диска:

- Рис.20: 1. Контргайка 2. Абразивный отрезной диск (тоньше 4 мм (5/32 дюйма)) 3. Абразивный отрезной диск (4 мм (5/32 дюйма) или толще) 4. Внутренний фланец

При установке алмазного диска:

- Рис.21: 1. Контргайка 2. Алмазный диск (тоньше 4 мм (5/32 дюйма)) 3. Алмазный диск (4 мм (5/32 дюйма) или толще) 4. Внутренний фланец

## Операции с чашечной проволочной щеткой

### Дополнительные принадлежности

**ВНИМАНИЕ:** Проверьте работу щетки, запустив инструмент на холостом ходу, предварительно убедившись, что никто не находится перед ним или на одной линии со щеткой.

**ВНИМАНИЕ:** Не используйте поврежденную или разбалансированную щетку. Использование поврежденной щетки может увеличить опасность получения травм от контакта с проволокой.

- Рис.22: 1. Чашечная проволочная щетка

Извлеките блок аккумулятора из инструмента и положите шпинделем вверх, чтобы обеспечить легкий доступ к шпинделю.

Снимите со шпинделя все дополнительные принадлежности. Наверните проволочную чашечную щетку на шпиндель и затяните прилагаемым ключом.

**ПРИМЕЧАНИЕ:** Не прилагайте слишком большое давление, так как оно может привести к тому, что проволока погнется во время использования щетки. Это может стать причиной преждевременной поломки.

## Работа с дисковой проволочной щеткой

### Дополнительные принадлежности

**ВНИМАНИЕ:** Проверьте работу дисковой проволочной щетки, запустив инструмент на холостом ходу и предварительно убедившись, что никто не находится перед ним или на одной линии с дисковой проволочной щеткой.

**ВНИМАНИЕ:** Не используйте поврежденную или разбалансированную дисковую проволочную щетку. Использование поврежденной дисковой проволочной щетки может увеличить риск получения травм от контакта с проволокой.

**ВНИМАНИЕ:** При работе с дисковой проволочной щеткой ВСЕГДА используйте защитный кожух, убедившись, что диаметр диска соответствует внутреннему диаметру кожуха. Во время работы диск может разрушиться. Защитный кожух снижает риск получения травмы.

- Рис.23: 1. Дисковая проволочная щетка

Извлеките блок аккумулятора из инструмента и положите шпинделем вверх, чтобы обеспечить легкий доступ к шпинделю.

Снимите со шпинделя все дополнительные принадлежности. Установите дисковую проволочную щетку на шпиндель и затяните ее с помощью ключей.

**ПРИМЕЧАНИЕ:** Не прилагайте слишком большое давление, так как оно может привести к тому, что проволока погнется во время использования дисковой проволочной щетки. Это может стать причиной преждевременной поломки.

## ОБСЛУЖИВАНИЕ

**ВНИМАНИЕ:** Перед проведением проверки или работ по техобслуживанию всегда проверяйте, что инструмент выключен, а блок аккумуляторов снят.

**ПРИМЕЧАНИЕ:** Запрещается использовать бензин, растворители, спирт и другие подобные жидкости. Это может привести к обесцвечиванию, деформации и трещинам.

## Очистка вентиляционного отверстия

Инструмент и его вентиляционные отверстия должны содержаться в чистоте. Производите регулярную очистку вентиляционных отверстий инструмента или очищайте их в случае засорения.

- Рис.24: 1. Вытяжное отверстие 2. Впускное вентиляционное отверстие

Снимите пылезащитную крышку с впускного вентиляционного отверстия и очистите ее, чтобы обеспечить свободное прохождение воздуха.

- Рис.25: 1. Пылезащитный кожух

**ПРИМЕЧАНИЕ:** При засорении пылезащитного кожуха пылью или посторонними веществами очистите его. Продолжение эксплуатации с засоренным пылезащитным кожухом приведет к повреждению инструмента.

## ДОПОЛНИТЕЛЬНЫЕ ПРИНАДЛЕЖНОСТИ

**ВНИМАНИЕ:** Данные принадлежности или приспособления рекомендуются для использования с инструментом Makita, указанным в настоящем руководстве. Использование других принадлежностей или приспособлений может привести к получению травмы. Используйте принадлежность или приспособление только по указанному назначению.

Если вам необходимо содействие в получении дополнительной информации по этим принадлежностям, свяжитесь с вашим сервис-центром Makita.

- Оригинальный аккумулятор и зарядное устройство Makita

► **Рис.26**

-	Модель 100 мм (4 дюйма)	Модель 115 мм (4-1/2 дюйма)	Модель 125 мм (5 дюймов)
1	Рукоятка 36		
2	Кожух диска (для шлифовального диска)		
3	Внутренний фланец		
4	Диск с утопленным центром/откидной круг		
5	Контргайка		
6	Вспомогательная подушка		
7	Гибкий диск		
8	Внутренний фланец и резиновая подушка 76	Резиновая подушка 100	Резиновая подушка 115
9	Абразивный круг		
10	Шлифовальная контргайка		
11	Дисковая проволочная щетка		
12	Чашечная проволочная щетка		
13	Кожух диска (для отрезного диска) *1		
14	Абразивный отрезной диск / алмазный диск		
-	Ключ контргайки		

**ПРИМЕЧАНИЕ:** \*1 В некоторых странах Европы при использовании алмазного диска можно использовать обычный кожух вместо специального, закрывающего обе стороны диска. Соблюдайте требования нормативов, действующих в вашей стране.

**ПРИМЕЧАНИЕ:** Некоторые элементы списка могут входить в комплект инструмента в качестве стандартных приспособлений. Они могут отличаться в зависимости от страны.

**Makita Europe N.V.** Jan-Baptist Vinkstraat 2,  
3070 Kortenberg, Belgium

**Makita Corporation** 3-11-8, Sumiyoshi-cho,  
Anjo, Aichi 446-8502 Japan

[www.makita.com](http://www.makita.com)

885471A985  
EN, SV, NO, FI,  
LV, LT, ET, RU  
20151002