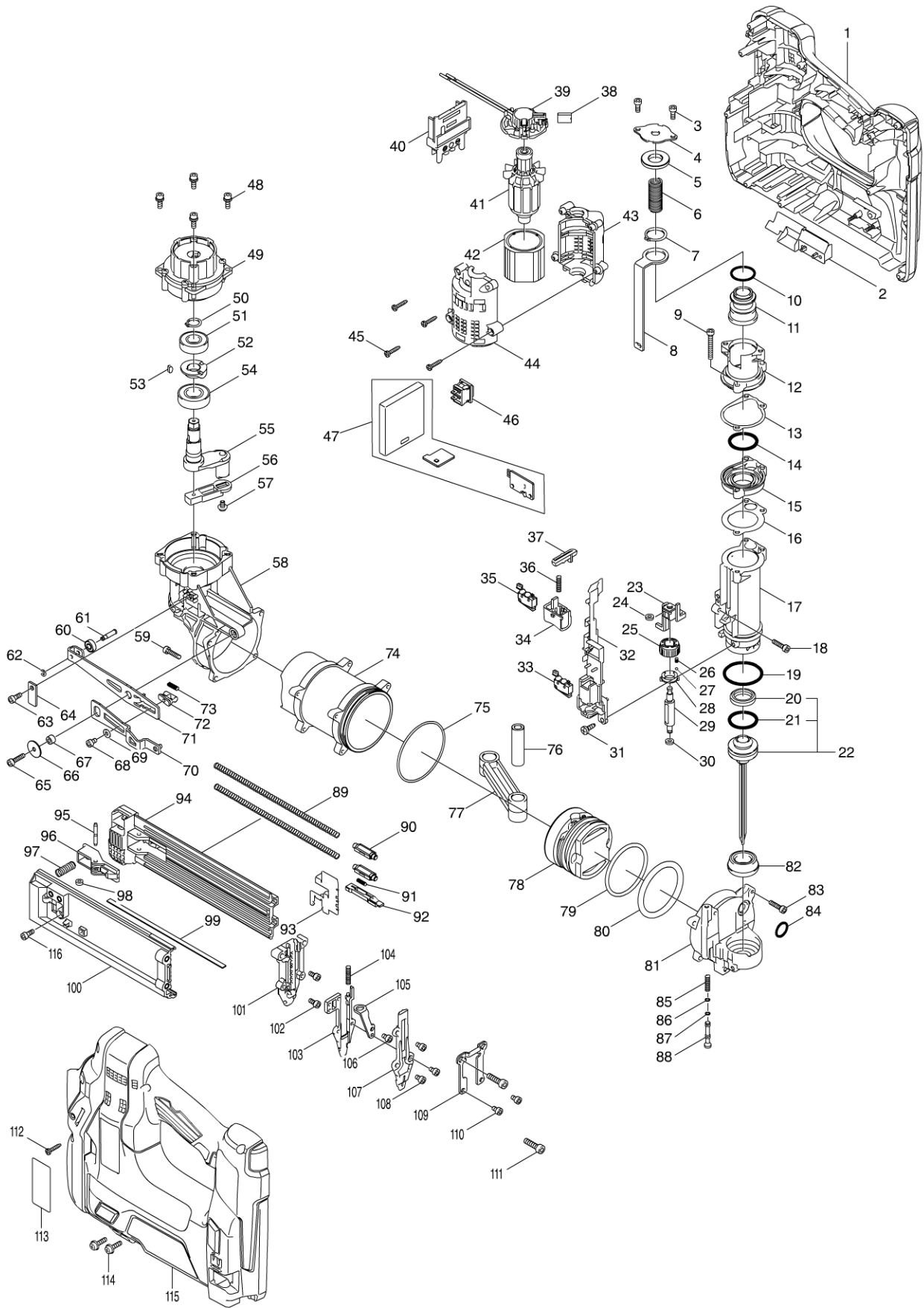


Model No. DBN500 50MM CORDLESS BRAD NAILER



Model No. DBN500 50MM CORDLESS BRAD NAILER

| Item | Parts No. | Description | I/C | Qty | N/O | Opt. 1 | Opt. 2 | Note |
|------|-----------|-----------------------------|-----|-----|-----|--------|--------|------|
| 001 | 187864-0 | HOUSING SET | | 1 | | | | |
| C10 | 252126-6 | HEX. LOCKING NUT M4-7 | | 2 | | | | |
| C20 | 803N94-6 | CAUTION LABEL | | 1 | | | | |
| D10 | | INC. 115 | | | | | | |
| 002 | 454946-6 | LED COVER | | 1 | | | | |
| 003 | 922112-8 | HEX. SOCKET HEAD BOLT M4X10 | | 2 | | | | |
| 004 | 346773-4 | TOPCAP | | 1 | | | | |
| 005 | 424625-0 | REAR CUSHION | | 1 | | | | |
| 006 | 234327-8 | COMPRESSION SPRING 11 | | 1 | | | | |
| 007 | 961059-1 | RETAINING RING (EXT) S-19 | | 1 | | | | |
| 008 | 346776-8 | LINK ARM B | | 1 | | | | |
| 009 | 922157-6 | HEX. SOCKET HEAD BOLT M4X30 | | 3 | | | | |
| 010 | 213381-5 | O RING 21 | | 1 | | | | |
| 011 | 326398-0 | VALVE | | 1 | | | | |
| 012 | 319114-7 | CYLINDER HEAD | | 1 | | | | |
| 013 | 423472-6 | GASKET A | | 1 | | | | |
| 014 | 213364-5 | O RING 24 | | 1 | | | | |
| 015 | 319116-3 | SEPARATER | | 1 | | | | |
| 016 | 423473-4 | GASKET B | | 1 | | | | |
| 017 | 319113-9 | DRIVER CYLINDER | | 1 | | | | |
| 018 | 922127-5 | HEX. SOCKET HEAD BOLT M4X16 | | 3 | | | | |
| 019 | 213475-6 | O RING 34 | | 1 | | | | |
| 020 | 421551-4 | CUSHION "P" | | 1 | | | | |
| 021 | 213364-5 | O RING 24 | | 1 | | | | |
| 022 | 135644-8 | DRIVER ASS'Y | | 1 | | | | |
| D10 | | INC. 20,21 | | | | | | |
| 023 | 310585-1 | ADJUSTER BLOCK | | 1 | | | | |
| 024 | 262130-7 | URETHANE RING 4 | | 1 | | | | |
| 025 | 454949-0 | ADJUSTER | | 1 | | | | |
| 026 | 234254-9 | COMPRESSION SPRING 2 | | 1 | | | | |
| 027 | 216031-1 | STEEL BALL 2.3 | | 1 | | | | |
| 028 | 453807-7 | ADJUSTER GUIDE | | 1 | | | | |
| 029 | 326399-8 | ADJUSTER ROD | | 1 | | | | |
| 030 | 262130-7 | URETHANE RING 4 | | 1 | | | | |
| 031 | 266026-4 | TAPPING SCREW BIND CT 4X12 | | 2 | | | | |
| 032 | 454938-5 | SWITCH BASE | | 1 | | | | |
| 033 | 632C01-4 | SWITCH UNIT | | 1 | | | | |
| 034 | 454939-3 | TRIGGER | | 1 | | | | |
| 035 | 632C01-4 | SWITCH UNIT | | 1 | | | | |
| 036 | 234037-7 | COMPRESSION SPRING 5 | | 1 | | | | |
| 037 | 454952-1 | TRIGGER LOCK | | 1 | | | | |
| 038 | 194427-5 | CARBON BRUSH CB-440 | | 1 | | | | |
| 039 | 632B92-9 | BRUSH HOLDER COMPLETE | | 1 | | | | |
| 040 | 643860-3 | TERMINAL | | 1 | | | | |
| 041 | 619339-6 | ARMATURE | | 1 | | | | |
| 042 | 638989-8 | YOKE UNIT | | 1 | | | | |
| 043 | 187809-8 | MOTOR HOUSING SET | | 1 | | | | |
| D10 | | INC. 44 | | | | | | |

Model No. DBN500 50MM CORDLESS BRAD NAILER

| Item | Parts No. | Description | I/C | Qty | N/O | Opt. 1 | Opt. 2 | Note |
|------|-----------|-----------------------------|-----|-----|-----|--------|--------|------|
| 044 | 187809-8 | MOTOR HOUSING SET | | 1 | | | | |
| D10 | | INC. 43 | | | | | | |
| 045 | 266130-9 | TAPPING SCREW BIND PT 3X16 | | 4 | | | | |
| 046 | 651533-4 | SWITCH SLE6A2-33 | | 1 | | | | |
| 047 | 620291-3 | CONTROLLER | | 1 | | | | |
| 048 | 266273-7 | HEX. SOCKET HEAD BOLT M4X12 | | 4 | | | | |
| 049 | 126398-8 | GEAR ASSEMBLY | | 1 | | | | |
| 050 | 961052-5 | RETAINING RING S-12 | | 1 | | | | |
| 051 | 210107-6 | BALL BEARING 6001ZZ | | 1 | | | | |
| 052 | 313276-3 | EDGE CAM | | 1 | | | | |
| 053 | 254031-3 | WOODRUFF KEY 3 | | 1 | | | | |
| 054 | 211243-1 | BALL BEARING 6002ZZ | | 1 | | | | |
| 055 | 332100-1 | CRANK | | 1 | | | | |
| 056 | 142440-7 | MAGNET BASE COMPLETE | | 1 | | | | |
| 057 | 911109-2 | PAN HEAD SCREW M4X8 | | 1 | | | | |
| 058 | 319112-1 | CRANK CASE | | 1 | | | | |
| 059 | 922127-5 | HEX. SOCKET HEAD BOLT M4X16 | | 4 | | | | |
| 060 | 210036-3 | BALL BEARING 604ZZ | | 1 | | | | |
| 061 | 256553-9 | PIN4 | | 1 | | | | |
| 062 | 961017-7 | STOP RING E-3 | | 1 | | | | |
| 063 | 922112-8 | HEX. SOCKET HEAD BOLT M4X10 | | 1 | | | | |
| 064 | 346778-4 | PLATE B | | 1 | | | | |
| 065 | 922127-5 | HEX. SOCKET HEAD BOLT M4X16 | | 1 | | | | |
| 066 | 267071-2 | FLAT WASHER 4 | | 1 | | | | |
| 067 | 257822-1 | SLEEVE 8 | | 1 | | | | |
| 068 | 922102-1 | HEX. SOCKET HEAD BOLT M4X6 | | 1 | | | | |
| 069 | 941051-3 | FLAT WASHER 4 | | 1 | | | | |
| 070 | 142442-3 | SUB ARM COMPLETE | | 1 | | | | |
| 071 | 346775-0 | LINK ARM A | | 1 | | | | |
| 072 | 310587-7 | SLIDER | | 1 | | | | |
| 073 | 234119-5 | COMPRESSION SPRING 3 | | 1 | | | | |
| 074 | 332099-0 | MAIN CYLINDER | | 1 | | | | |
| 075 | 213709-7 | O RING 63 | | 1 | | | | |
| 076 | 332101-9 | PIPE 12 | | 1 | | | | |
| 077 | 454937-7 | CONNECTING ROD | | 1 | | | | |
| 078 | 454944-0 | PISTON A | | 1 | | | | |
| 079 | 213605-9 | O RING 50 | | 1 | | | | |
| 080 | 213609-1 | O RING 50 | | 1 | | | | |
| 081 | 319115-5 | CYLINDER END | | 1 | | | | |
| 082 | 424624-2 | CUSHION | | 1 | | | | |
| 083 | 922127-5 | HEX. SOCKET HEAD BOLT M4X16 | | 4 | | | | |
| 084 | 213162-7 | O RING 14 | | 1 | | | | |
| 085 | 234329-4 | COMPRESSION SPRING 4 | | 1 | | | | |
| 086 | 213044-3 | O RING 3 | | 1 | | | | |
| 087 | 213044-3 | O RING 3 | | 1 | | | | |
| 088 | 326401-7 | VALVE STEM | | 1 | | | | |
| 089 | 234325-2 | COMPRESSION SPRING 6 | | 2 | | | | |
| 090 | 454940-8 | SLEEVE | | 2 | | | | |

Please order the parts with a part number.

Print Date 11/12/2014

Model No. DBN500 50MM CORDLESS BRAD NAILER

| Item | Parts No. | Description | I/C | Qty | N/O | Opt. 1 | Opt. 2 | Note |
|------|-----------|-------------------------------|-----|-----|-----|--------|--------|------|
| 091 | 234326-0 | COMPRESSION SPRING 3 | | 1 | | | | |
| 092 | 310584-3 | STOPPER | | 1 | | | | |
| 093 | 346782-3 | PUSHER | | 1 | | | | |
| 094 | 454942-4 | SLIDE DOOR | | 1 | | | | |
| 095 | 256793-9 | PIN 3 | | 1 | | | | |
| 096 | 454945-8 | LOCK LEVER | | 1 | | | | |
| 097 | 233197-2 | COMPRESSION SPRING 7 | | 1 | | | | |
| 098 | 262054-7 | URETHANE RING 3 | | 1 | | | | |
| 099 | 346774-2 | NAIL PLATE | | 1 | | | | |
| 100 | 454943-2 | MAGAZINE | | 1 | | | | |
| C10 | 931102-0 | HEX. NUT M4 | | 1 | | | | |
| 101 | 310588-5 | SET PLATE | | 1 | | | | |
| 102 | 265911-8 | HEX. SOCKET HEAD BOLT M4X8 | | 2 | | | | |
| 103 | 142443-1 | CENTER PLATE COMPLETE | | 1 | | | | |
| 104 | 234328-6 | COMPRESSION SPRING 4 | | 1 | | | | |
| 105 | 346779-2 | ARM | | 1 | | | | |
| 106 | 922102-1 | HEX. SOCKET HEAD BOLT M4X6 | | 1 | | | | |
| 107 | 310586-9 | DRIVER GUIDE | | 1 | | | | |
| 108 | 922102-1 | HEX. SOCKET HEAD BOLT M4X6 | | 3 | | | | |
| 109 | 346777-6 | PLATE A | | 1 | | | | |
| 110 | 922102-1 | HEX. SOCKET HEAD BOLT M4X6 | | 2 | | | | |
| 111 | 266369-4 | HEX SOCKET HEAD BOLT M5X20 | | 2 | | | | |
| 112 | 266130-9 | TAPPING SCREW BIND PT 3X16 | | 10 | | | | |
| 113 | 815P33-6 | DBN500 NAME PLATE | | 1 | | | | |
| 114 | 911118-1 | PAN HEAD SCREW M4X12 | | 2 | | | | |
| 115 | 187864-0 | HOUSING SET | | 1 | | | | |
| C10 | 252126-6 | HEX. LOCKING NUT M4-7 | | 2 | | | | |
| C20 | 803N94-6 | CAUTION LABEL | | 1 | | | | |
| D10 | | INC. 1 | | | | | | |
| 116 | 922112-8 | HEX. SOCKET HEAD BOLT M4X10 | | 1 | | | | |
| A01 | 195246-2 | SAFETY GOGGLE | | 1 | | | | |
| A02 | 251314-2 | + SCREW M4X12 | | 1 | | | | |
| A03 | 346317-0 | HOOK | | 1 | | | | |
| A04 | 424121-8 | NOSE ADAPTER | | 2 | | | | |
| A05 | 783201-2 | HEX. WRENCH 3 | | 1 | | | | |
| A06 | 821551-8 | CONNECTOR PLASTIC CASE (TYPE3 | | 1 | | | | |
| C10 | 453974-8 | LATCH | | 4 | | | | |
| A07 | 838023-6 | INNER TRAY | | 1 | | | | |
| A08A | 803V13-0 | DBN500ZJ INDICATION LABEL | | 1 | | | | |
| A08B | 803V15-6 | DBN500RFJ INDICATION LABEL | | 1 | | | | |
| A08C | 803V17-2 | DBN500RMJ INDICATION LABEL | | 1 | | | | |
| A09A | 803V14-8 | DBN500ZJ PLASTIC CASE LABEL | | 2 | | | | |
| A09B | 803V16-4 | DBN500RFJ PLASTIC CASE LABEL | | 2 | | | | |
| A09C | 803V18-0 | DBN500RMJ PLASTIC CASE LABEL | | 2 | | | | |
| A10B | ***DC18RC | DC18RC FAST CHARGER | | 1 | | | | |
| A10C | ***DC18RC | DC18RC FAST CHARGER | | 1 | | | | |
| A11B | 194204-5 | BATTERY BL1830 SET | | 2 | | | | |
| A11C | 196399-0 | BATTERY BL1840 SET | | 2 | | | | |

Please order the parts with a part number.

Print Date 11/12/2014

