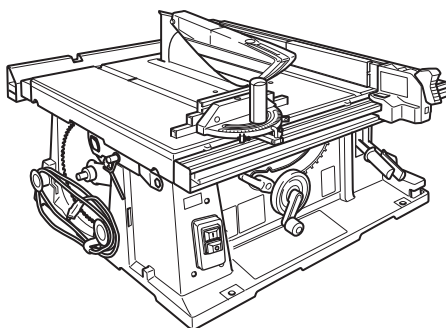




EN	Table Saw	INSTRUCTION MANUAL	9
SV	Bordssåg	BRUKSANVISNING	17
NO	Bordsag	BRUKSANVISNING	25
FI	Pöytäpyörösaha	KÄYTTÖOHJE	33
LV	Galda zāģis	LIETOŠANAS INSTRUKCIJA	41
LT	Medžio pjovimo staklės	NAUDOJIMO INSTRUKCIJA	49
ET	Töölauale paigaldatav saag	KASUTUSJUHEND	57
RU	Отрезной станок со столом	РУКОВОДСТВО ПО ЭКСПЛУАТАЦИИ	65

2704



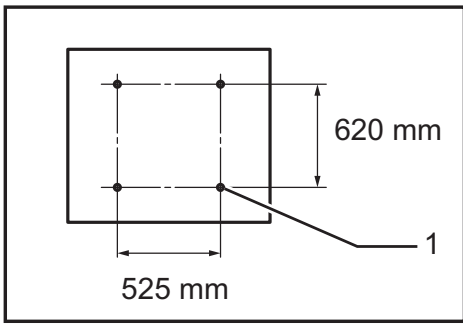


Fig.1

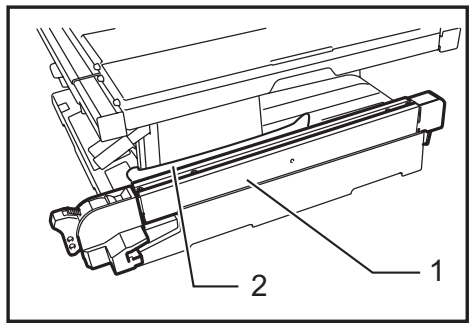


Fig.5

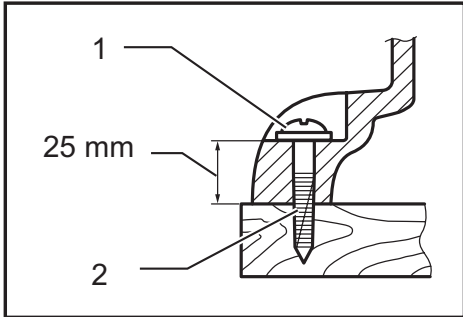


Fig.2

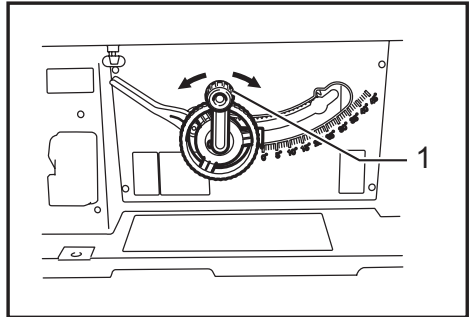


Fig.6

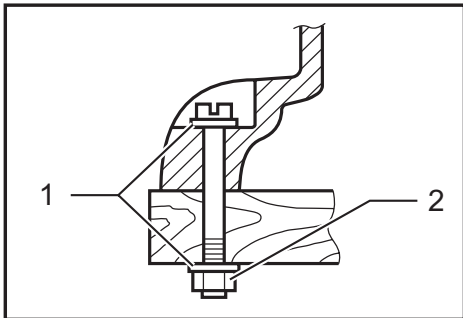


Fig.3

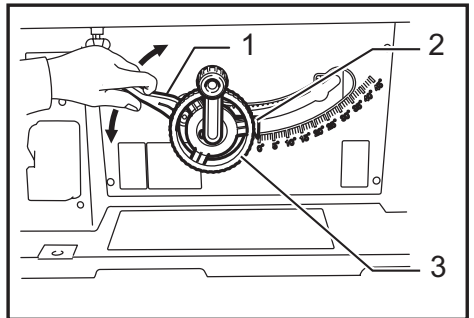


Fig.7

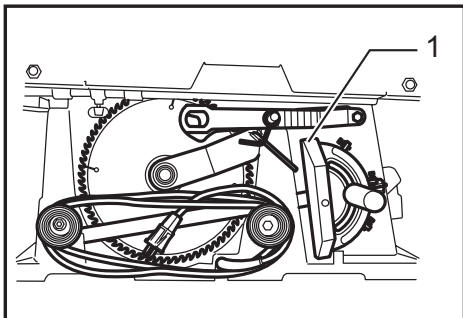


Fig.4

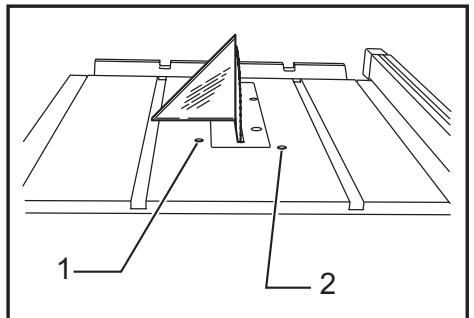


Fig.8

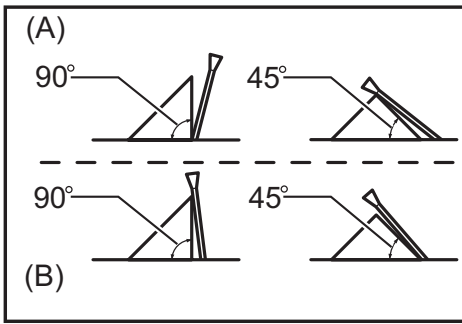


Fig.9

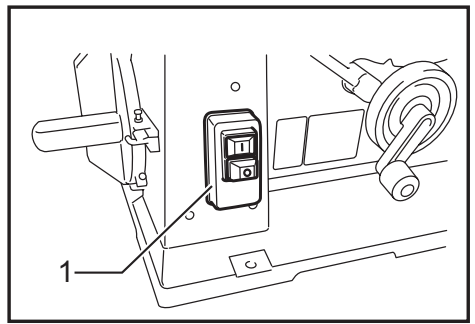


Fig.13

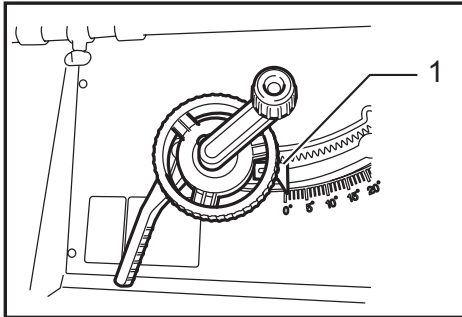


Fig.10

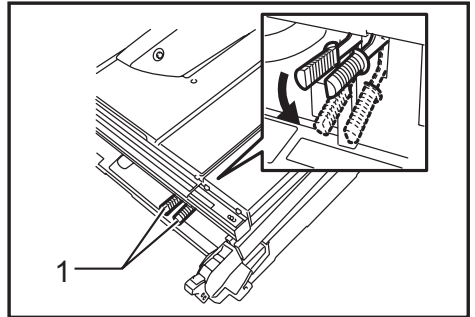


Fig.14

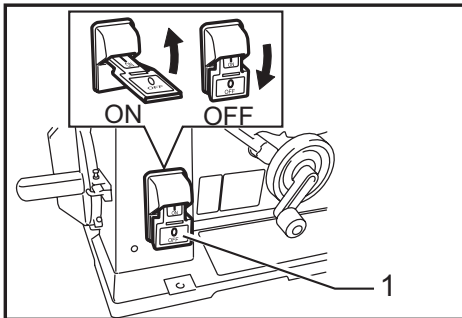


Fig.11

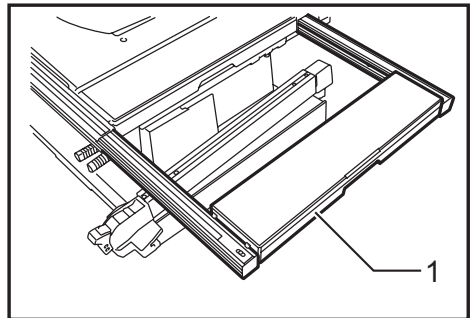


Fig.15

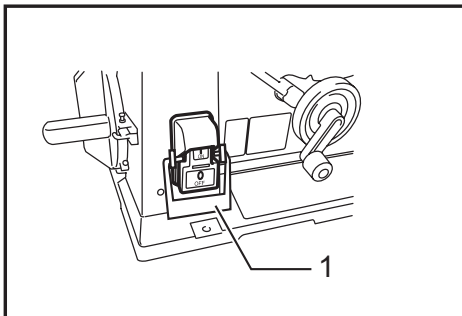


Fig.12

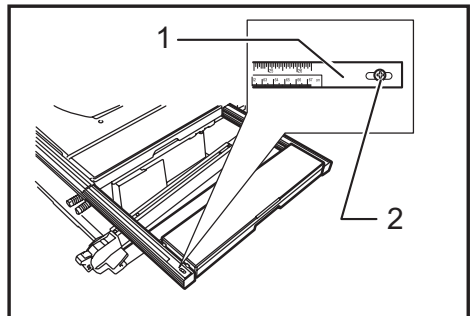


Fig.16

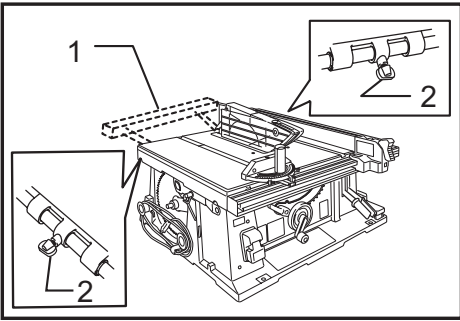


Fig.17

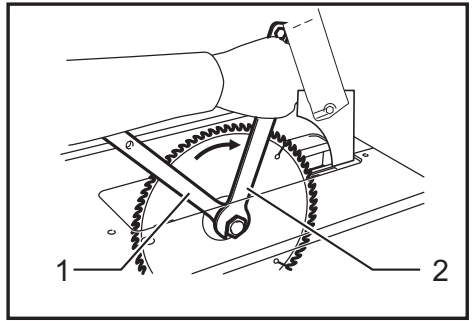


Fig.21

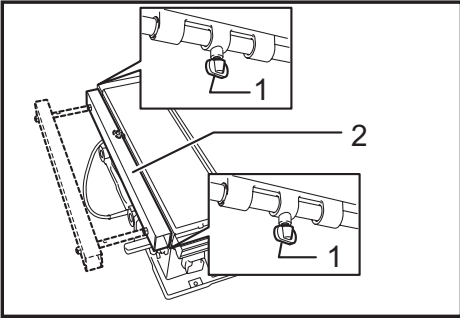


Fig.18

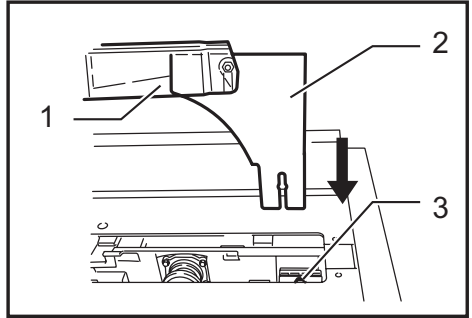


Fig.22

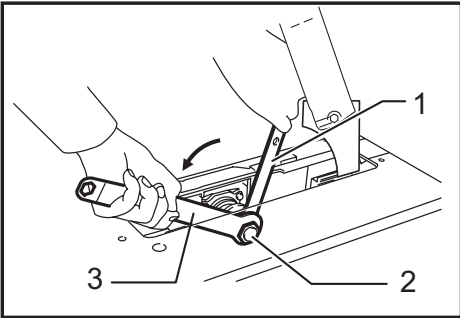


Fig.19

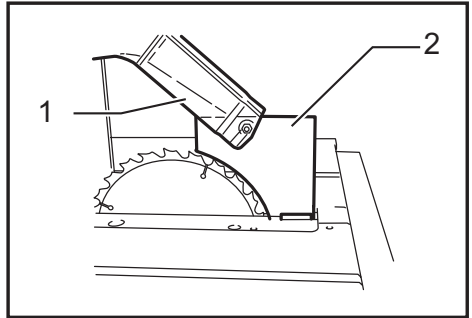


Fig.23

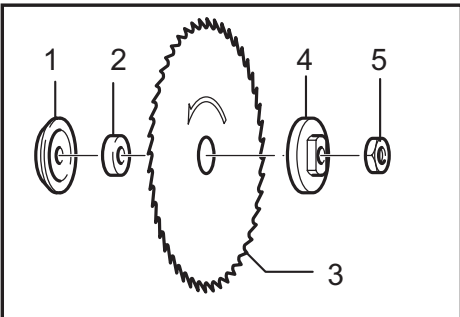


Fig.20

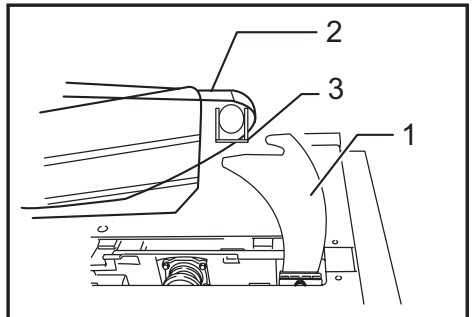


Fig.24

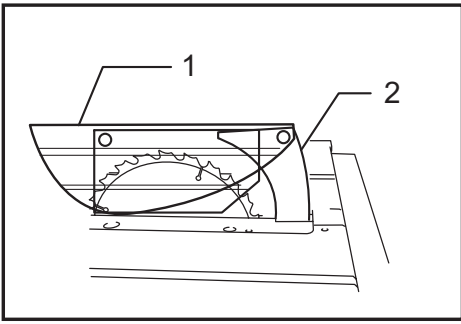


Fig.25

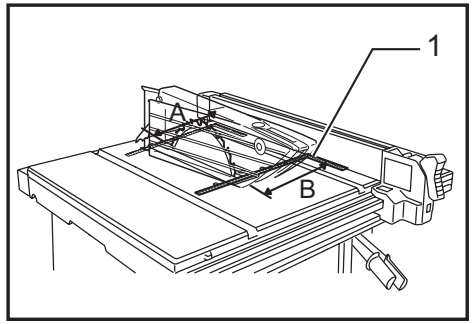


Fig.29

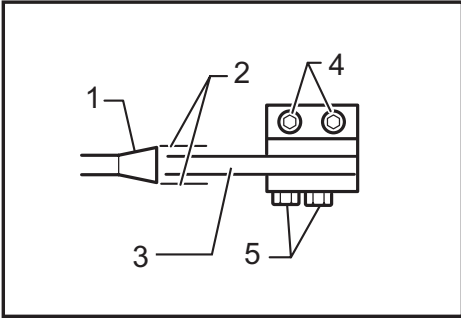


Fig.26

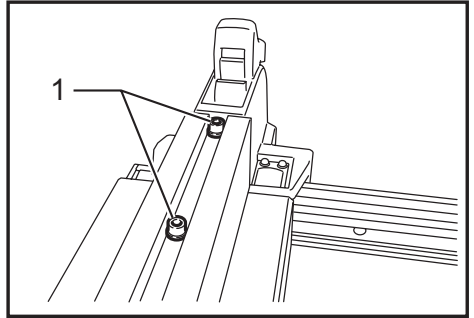


Fig.30

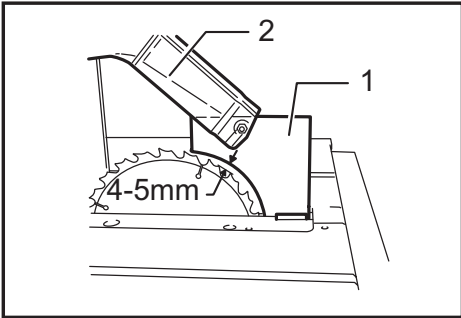


Fig.27

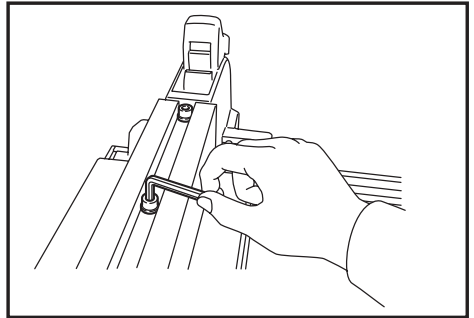


Fig.31

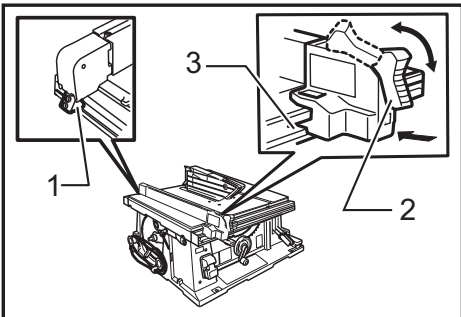


Fig.28

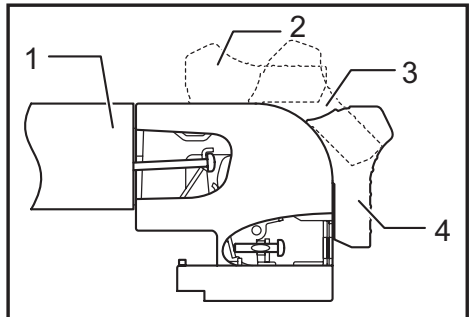


Fig.32

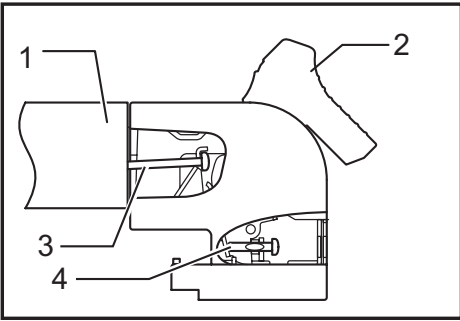


Fig.33

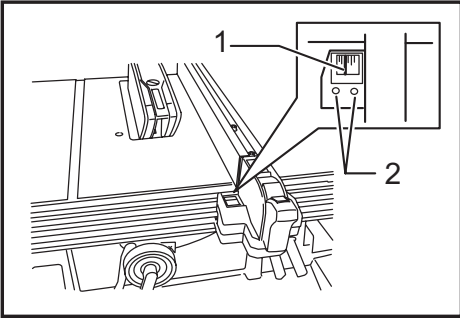


Fig.34

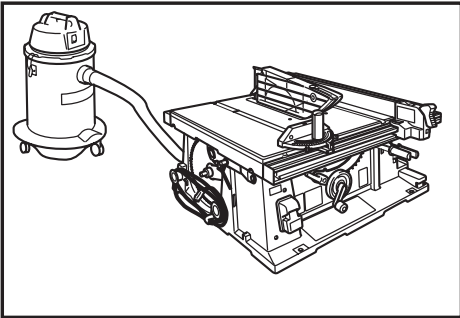


Fig.35

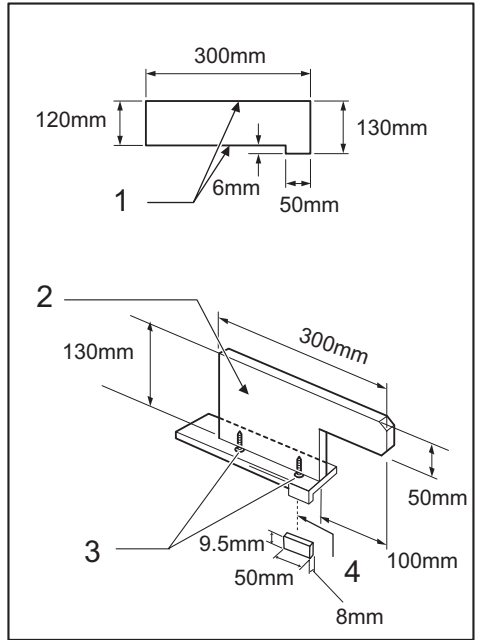


Fig.36

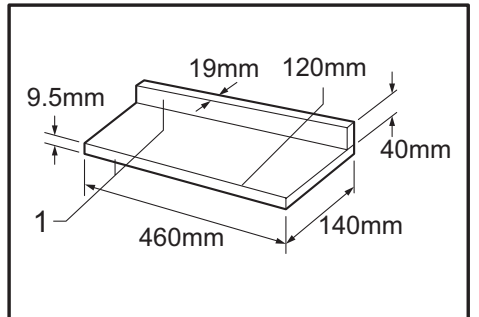


Fig.37

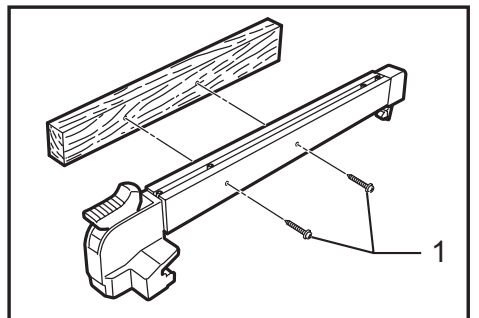


Fig.38

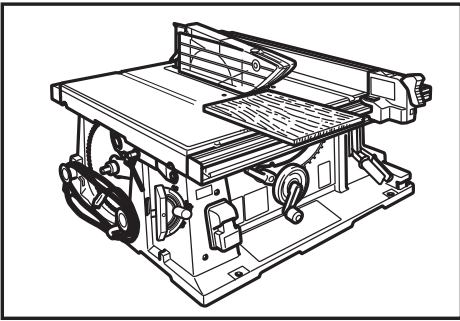


Fig.39

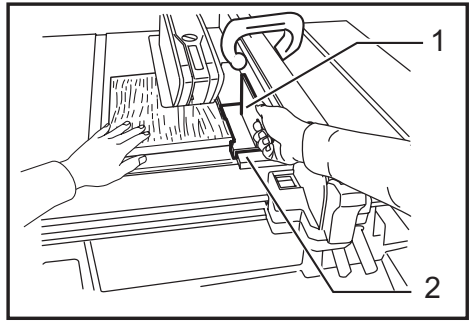


Fig.43

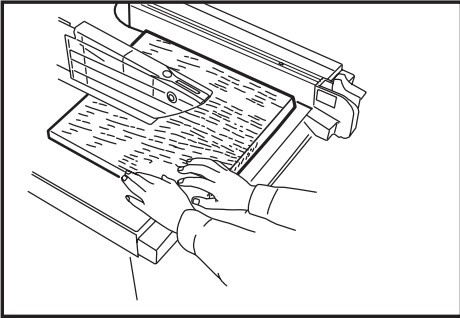


Fig.40

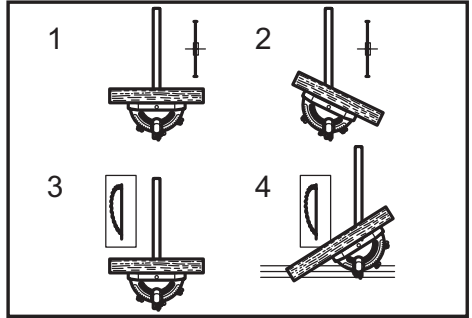


Fig.44

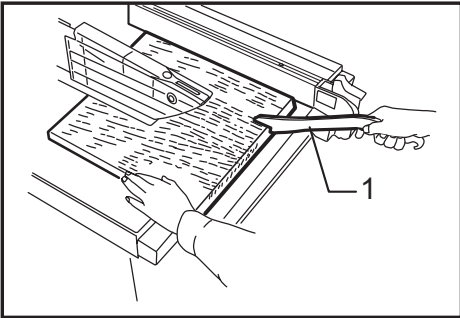


Fig.41

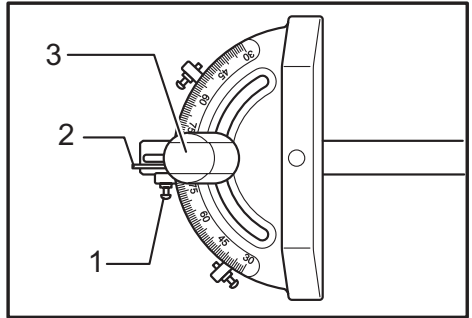


Fig.45

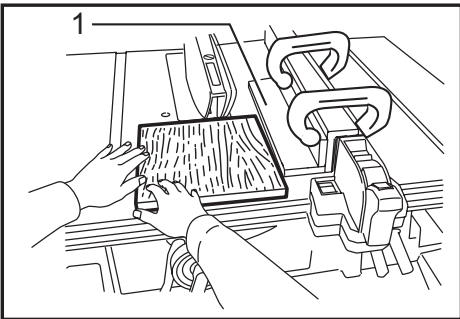


Fig.42

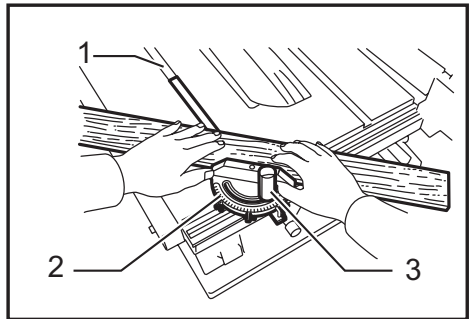


Fig.46

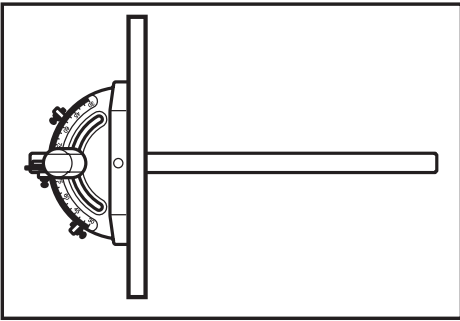


Fig.47

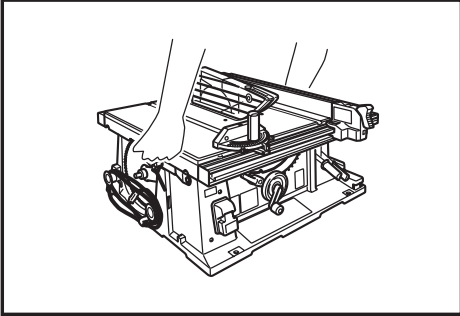


Fig.48

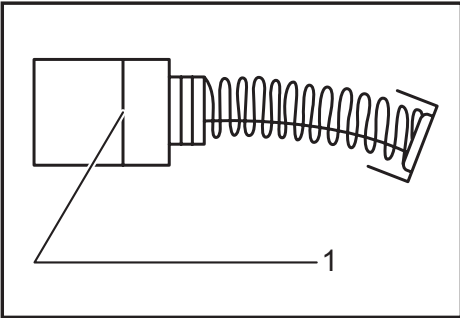


Fig.49

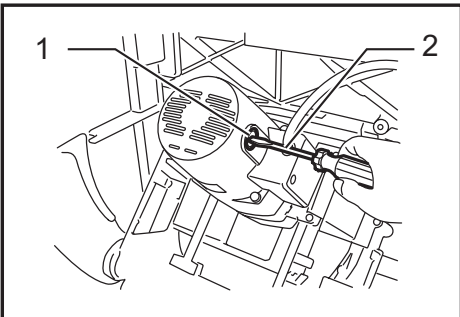


Fig.50






SPECIFICATIONS

Model		2704	
		(for European countries)	(for other than European countries)
Arbor hole		30 mm	25 mm and 25.4 mm
Blade diameter		260 mm	255 mm / 260 mm
Max. cutting capacities	90°	93 mm	91 mm / 93 mm
	45°	64 mm	63 mm / 64 mm
No load speed (min ⁻¹)		4,800	
Table size (L x W)		(665 mm - 1,045 mm) x (753 mm - 1,066 mm) with sub tables (R) and (back)	567 mm x (753 mm - 1,066 mm) with sub table (R)
Dimensions (L x W x H) with table(s) not extended		715 mm x 753 mm x 344 mm with sub tables (R) and (back)	665 mm x 753 mm x 344 mm with sub table (R)
Net weight		34.9 kg	29.5 kg
Safety class		□, II	

- Due to our continuing programme of research and development, the specifications herein are subject to change without notice.
- Specifications may differ from country to country.
- Weight according to EPTA-Procedure 01/2003

Symbols

The following show the symbols used for the equipment. Be sure that you understand their meaning before use.

	Read instruction manual.
	DOUBLE INSULATION
	Wear safety glasses.
	Do not place hand or fingers close to the blade.
	Only for EU countries Do not dispose of electric equipment together with household waste material! In observance of European Directive 2002/96/EC on waste electric and electronic equipment and its implementation in accordance with national law, electric equipment that have reached the end of their life must be collected separately and returned to an environmentally compatible recycling facility.

Intended use

The tool is intended for cutting in wood.

Power supply

The tool should be connected only to a power supply of the same voltage as indicated on the nameplate, and can only be operated on single-phase AC supply. They are double-insulated in accordance with European Standard and can, therefore, also be used from sockets without earth wire.

Noise

The typical A-weighted noise level determined according to EN61029:

Sound pressure level (L_{pA}) : 94 dB (A)

Sound power level (L_{WA}) : 107 dB (A)

Uncertainty (K) : 3 dB (A)

Wear ear protection

For European countries only

EC Declaration of Conformity

We Makita Corporation as the responsible manufacturer declare that the following Makita machine(s):

Designation of Machine:

Table Saw

Model No./ Type: 2704

are of series production and

Conforms to the following European Directives:

2006/42/EC

And are manufactured in accordance with the following standards or standardised documents:

EN61029

The technical documentation is kept by our authorised representative in Europe who is:

Makita International Europe Ltd.

Michigan Drive, Tongwell,

Milton Keynes, Bucks MK15 8JD, England

21.4.2010



Tomoyasu Kato

Director

Makita Corporation

3-11-8, Sumiyoshi-cho,

Anjo, Aichi, 446-8502, JAPAN

General Power Tool Safety Warnings

⚠WARNING Read all safety warnings and all instructions. Failure to follow the warnings and instructions may result in electric shock, fire and/or serious injury.

Save all warnings and instructions for future reference.

ADDITIONAL SAFETY RULES FOR TOOL

SAVE THESE INSTRUCTIONS.

1. Wear eye protection.
2. Do not use the tool in presence of flammable liquids or gases.
3. NEVER use the tool with an abrasive cut-off wheel installed.
4. Check the blade carefully for cracks or damage before operation. Replace cracked or damaged blade immediately.
5. Use only saw blades recommended by the manufacturer and which conform to EN847-1, and observe that the riving knife must not be thicker than the width of the cut by the saw blade and not thinner than the body of the blade.
6. Always use accessories recommended in this manual. Use of improper accessories such as abrasive cut-off wheels may cause an injury.
7. Select the correct saw blade for the material to be cut.
8. Do not use saw blades manufactured from high speed steel.
9. To reduce the emitted noise, always be sure that the blade is sharp and clean.
10. Use correctly sharpened saw blades. Observe the maximum speed marked on the saw blade.
11. Clean the spindle, flanges (especially the installing surface) and hex nut before installing the blade. Poor installation may cause vibration/wobbling or slippage of the blade.
12. Use saw-blade guard and riving knife for every operation for which it can be used, including all through sawing operations. Always install the blade guard following the instructions out-lined in this manual. Through sawing operations are those in which the blade cuts completely through the workpiece as in ripping or cross cutting. NEVER use the tool with a faulty blade guard or secure the blade guard with a rope, string, etc. Any irregular operation of the blade guard should be corrected immediately.
13. Immediately reattach the guard and riving knife after completing an operation which requires removal of the guard.
14. Do not cut metal objects such as nails and screws. Inspect for and remove all nails, screws and other foreign material from the workpiece before operation.
15. Remove wrenches, cut-off pieces, etc. from the table before the switch is turned on.
16. NEVER wear gloves during operation.
17. Keep hands out of the line of the saw blade.
18. NEVER stand or permit anyone else to stand in line with the path of the saw blade.
19. Make sure the blade is not contacting the riving knife or workpiece before the switch is turned on.
20. Before using the tool on an actual workpiece, let it run for a while. Watch for vibration or wobbling that could indicate poor installation or a poorly balanced blade.
21. The tool should not be used for slotting, rabbetting or grooving.
22. Replace table insert when worn.
23. NEVER make any adjustments while tool is running. Disconnect tool before making any adjustments.
24. Use a push stick when required. Push sticks MUST be used for ripping narrow workpieces to keep your hands and fingers well away from the blade.
25. Always store the push-stick when it is not in use.
26. Pay particular attention to instructions for reducing risk of KICKBACK. KICKBACK is a sudden reaction to a pinched, bound or misaligned saw blade. KICKBACK causes the ejection of the workpiece from the tool back towards the operator. KICKBACKS CAN LEAD TO SERIOUS PERSONAL INJURY. Avoid KICKBACKS by keeping the blade sharp, by keeping the rip fence parallel to the blade, by keeping the riving knife and blade guard in place and operating properly, by not releasing the workpiece until you have pushed it all the way past the blade, and by not ripping a workpiece that is twisted or warped or does not have a straight edge to guide along the fence.
27. Do not perform any operation freehand. Freehand means using your hands to support or guide the workpiece, in lieu of a rip fence or miter gauge.
28. NEVER reach around or over saw blade. NEVER reach for a workpiece until the saw blade has completely stopped.
29. Avoid abrupt, fast feeding. Feed as slowly as possible when cutting hard workpieces. Do not bend or twist workpiece while feeding. If you stall or jam the blade in the workpiece, turn the tool off immediately. Unplug the tool. Then clear the jam.
30. NEVER remove cut-off pieces near the blade or touch the blade guard while the blade is running.
31. Knock out any loose knots from workpiece BEFORE beginning to cut.
32. Do not abuse cord. Never yank cord to disconnect it from the receptacle. Keep cord away from heat, oil, water and sharp edges.

33. **Some dust created from operation contains chemicals known to cause cancer, birth defects or other reproductive harm. Some examples of these chemicals are:**
- lead from lead-based-painted material and,
 - arsenic and chromium from chemically-treated lumber.
 - Your risk from these exposures varies, depending on how often you do this type of work. To reduce your exposure to these chemicals: work in a well ventilated area and work with approved safety equipment, such as those dust masks that are specially designed to filter out microscopic particles.
34. **Connect the tool to a dust collecting device when sawing.**
35. **The guard can be lifted during workpiece setup and for ease of cleaning. Always make sure that guard hood is down and flat against sawtable before plugging in the tool.**

SAVE THESE INSTRUCTIONS.

INSTALLATION

Positioning table saw

- **Fig.1:** 1. Hole diameter 8 mm
- **Fig.2:** 1. 6 mm Std. washer 2. No.10 wood screw 40 mm min. length
- **Fig.3:** 1. 6 mm Std. washer 2. 6 mm Mounting bolt & Nut tighten securely

Locate the table saw in a well lit and level area where you can maintain good footing and balance. It should be installed in an area that leaves enough room to easily handle the size of your workpieces. The table saw should be secured with four screws or bolts to the work bench or table saw stand using the holes provided in the bottom of the table saw. When securing the table saw on the work bench, make sure that there is an opening in the top of the work bench the same size as the opening in the bottom of the table saw so the saw-dust can drop through.

If during operation there is any tendency for the table saw to tip over, slide or move, the work bench or table saw stand should be secured to the floor.

Storing accessories

- **Fig.4:** 1. Miter gauge
- **Fig.5:** 1. Rip fence 2. Push stick

The miter gauge, blade and wrenches can be stored on the left side of the base and the rip fence can be stored at the right side of the base.

FUNCTIONAL DESCRIPTION

⚠ CAUTION:

- Always be sure that the tool is switched off and unplugged before adjusting or checking function on the tool.

Adjusting the depth of cut

- **Fig.6:** 1. Handle

The depth of cut may be adjusted by turning the handle. Turn the handle clockwise to raise the blade or counterclockwise to lower it.

NOTE:

- Use a shallow depth setting when cutting thin materials in order to obtain a cleaner cut.

Adjusting the bevel angle

- **Fig.7:** 1. Lock lever 2. Arrow pointer 3. Handwheel

Loosen the lock lever counterclockwise and turn the handwheel until the desired angle (0° - 45°) is obtained. The bevel angle is indicated by the arrow pointer. After obtaining the desired angle, tighten the lock lever clockwise to secure the adjustment.

⚠ CAUTION:

- After adjusting the bevel angle, be sure to tighten the lock lever securely.

Adjusting positive stops

- **Fig.8:** 1. 90° Adjusting screw 2. 45° Adjusting screw
- **Fig.9**

The tool is equipped with positive stops at 90° and 45° to the table surface. To check and adjust the positive stops, proceed as follows: Move the handwheel as far as possible by turning it. Place a triangular rule on the table and check to see if the blade is at 90° or 45° to the table surface. If the blade is at an angle shown in Fig. A, turn the adjusting screws clockwise; if it is at an angle shown in Fig. B, turn the adjusting screws counterclockwise to adjust the positive stops. After adjusting the positive stops, set the blade at 90° to the table surface. Then adjust the arrow pointer so that its right edge is aligned to the 0° graduation.

- **Fig.10:** 1. Arrow pointer

Switch action

For the lever type switch

- **Fig.11:** 1. Switch

⚠ CAUTION:

- Before plugging in the tool, always be sure that the tool is switched off.

To start the tool, raise the switch lever. To stop it, lower the switch lever.

The hinged switch lever plate can be locked by passing padlock through the hasp on the left hand side.

- **Fig.12:** 1. Padlock

For the button type switch

► Fig.13: 1. Switch

⚠ CAUTION:

- Before operation, make sure that the tool is turned on and off.

To start the tool, press the ON (I) button.

To stop it, press the OFF (O) button.

Sub table (R)

► Fig.14: 1. Lever

► Fig.15: 1. Sub table (R)

This tool is provided with the sub table (R) on the right side of the main table. To use the sub table (R), raise both levers on the front right side, pull out the table (R) fully and then lower the levers to secure it.

When using the sub table (R), locate the scale plate on the sub table after loosening the screw on it with a screwdriver so that it becomes successive with the scale plate on the main table.

► Fig.16: 1. Scale plate 2. Screw

Sub table (back) (optional accessory for other than European countries)

► Fig.17: 1. Sub table (back) 2. Screw

To use the sub table (back), loosen the screws on the left and right hand sides under the table and pull it out backwards to the desired length. At the desired length, tighten the screw securely.

NOTE:

- When using the sub table (back) during use of the rip fence, pull out the sub table (back) more than 50 mm so that it does not hit against the top end of the rip fence.

Sub table (L) (optional accessory)

► Fig.18: 1. Screw 2. Sub table (L)

Sub table (L) (optional accessory) can be installed on the left side of the table to obtain wider space.

ASSEMBLY

⚠ CAUTION:

- Always be sure that the tool is switched off and unplugged before carrying out any work on the tool.

The tool is shipped from the factory with the saw blade and blade guard not in the installed condition. Assemble as follows:

Installing or removing saw blade

⚠ CAUTION:

- Always be sure that the tool is switched off and unplugged before installing or removing the blade.
- Use only the Makita socket wrench provided to install or remove the blade. Failure to do so may result in overtightening or insufficient tightening of the hex bolt. This could cause an injury.
- Use the following saw blade. Do not use saw blades which do not comply with the characteristics specified in these instructions.

For Model	Max. dia.	Min. dia.	Blade thickness	Kerf
2704	260 mm	230 mm	1.8 mm or less	2 mm or more

⚠ CAUTION:

- Check the arbor hole diameter of the blade before installing the blade. Always use the correct ring for the arbor hole of the blade you intend to use.

► Fig.19: 1. Offset wrench 2. Hex nut 3. Wrench

Remove the table insert on the table. Hold the outer flange with the offset wrench and loosen the hex nut counterclockwise with the wrench. Then remove the outer flange.

Assemble the inner flange, ring, saw blade, outer flange and hex nut onto the arbor, making sure that the teeth of the blade are pointing down at the front of the table. Always install the hex nut with its recessed side facing the outer flange.

► Fig.20: 1. Inner flange 2. Ring 3. Saw blade
4. Outer flange 5. Hex nut

For all countries other than European countries

⚠ CAUTION:

- The silver ring 25.4 mm in outer diameter is factory-installed onto the spindle. The black ring 25 mm in outer diameter is included as standard equipment. Before mounting the blade onto the spindle, always be sure that the correct ring for the arbor hole of the blade you intend to use is installed onto the spindle.

For European countries

⚠ CAUTION:

- The ring 30 mm in outer diameter is factory-installed between the inner and outer flanges.
- Keep the flange surface clean of dirt or other adhering matter; it could cause blade slippage. Be sure that the blade is installed so that the teeth are aligned in the cutting (turning) direction.

To secure the blade in place, hold the outer flange with the offset wrench, then tighten the hex nut clockwise with the wrench. BE SURE TO TIGHTEN THE HEX NUT SECURELY.

► Fig.21: 1. Offset wrench 2. Wrench

⚠ CAUTION:

- Be sure to hold the hex nut carefully with the wrench. If your grip should slip, the wrench may come off the hex nut, and your hand could strike the sharp blade edges.

Installing blade guard

► **Fig.22:** 1. Blade guard 2. Riving knife 3. Blade guard mounting portion (stay)

► **Fig.23:** 1. Blade guard 2. Riving knife

⚠ CAUTION:

- Before installing the blade guard, adjust the depth of cut to its maximum elevation.

For non-European type blade guard

Remove the center cover. Insert the riving knife into the blade guard mounting portion (stay). Tighten the hex bolts (A) with the provided wrench.

For European type blade guard

► **Fig.24:** 1. Riving knife 2. Blade guard 3. Lever

► **Fig.25:** 1. Blade guard 2. Riving knife

Remove the center cover. Insert the riving knife into the blade guard mounting portion (stay). Tighten the hex bolts (A) with the provided wrench.

Place the blade guard into the groove on the riving knife. Secure the blade guard by pivoting the lever on the blade guard.

For both European and non-European type blade guards

The riving knife installing location is factory-adjusted so that the blade and riving knife will be in a straight line. However, if they are not in a straight line, loosen the hex bolts (B) and adjust the blade guard mounting portion (stay) so that the riving knife is aligned directly behind the blade. Then tighten the hex bolts (B) to secure the stay.

► **Fig.26:** 1. Blade 2. These two clearances should be equal. 3. Riving knife 4. Hex bolts (B) 5. Hex bolts (A)

⚠ CAUTION:

- If the blade and riving knife are not aligned properly, a dangerous pinching condition may result during operation. Make sure they are properly aligned. You could suffer serious personal injury while using the tool without a properly aligned riving knife.
- NEVER make any adjustments while tool is running. Disconnect the tool before making any adjustments.
- Don't remove the riving knife.

There must be a clearance of about 4 - 5 mm between the riving knife and the blade teeth. Loosen the hex bolts (A), adjust the riving knife accordingly and tighten the hex bolts (A) securely. Attach the table insert on the table, then check to see that the blade guard works smoothly before cutting.

► **Fig.27:** 1. Riving knife 2. Blade guard

Installing and adjusting rip fence

► **Fig.28:** 1. Hook 2. Knob 3. Guide rail

1) Fit the hook on the tip of the rip fence into the far guide rail on the table or sub table (R) and install and push the rip fence forward so that the fence holder engages with the nearest guide rail.

To slide the rip fence on the guide rail sideways, pivot the knob on the fence holder to the half way of its travel. To secure the rip fence, pivot fully the knob on the fence holder.

2) To slide the rip fence on the guide rail sideways, return the knob on the fence holder fully without pulling the lever on the knob.

3) To remove it, pull the lever on the knob and pivot the knob fully forward while pulling the lever.

To check to be sure that the rip fence is parallel with the blade, secure the rip fence 2 - 3 mm from the blade. Raise the blade up to maximum elevation. Mark one of the blade teeth with a crayon. Measure the distance (A) and (B) between the rip fence and blade. Take both measurements using the tooth marked with the crayon. These two measurements should be identical. If the rip fence is not parallel with the blade, proceed as follows:

► **Fig.29:** 1. Scale

► **Fig.30:** 1. Hex bolts

1. Position the rip fence in the sliding position.
2. Loosen the two hex bolts on the rip fence with the hex wrench provided.
3. Adjust the rip fence until it becomes parallel with the blade.
4. Pivot down the knob on the rip fence toward the operator.
5. Tighten the two hex bolts on the rip fence.

► **Fig.31**

⚠ CAUTION:

- Be sure to adjust the rip fence so that it is parallel with the blade, or a dangerous kickback condition may occur.

When the rip fence cannot be secured solidly, adjust it according to the following procedure.

- (1) Set the rip fence on the table and then pivot the knob on the half way of its travel (moving position). Tighten the screw (A) until the rip fence is immobilized. Then loosen a 1/4 to 1/2 turn.

► **Fig.32:** 1. Rip fence 2. Released position 3. Moving position 4. Lock position

► **Fig.33:** 1. Rip fence 2. Moving position 3. Screw (B) 4. Screw (A)

- (2) Tighten the screw (B) fully and then loosen about 2 full revolutions.
- (3) Lock the rip fence by fully pivoting the knob on the fence holder (lock position).
- (4) Make sure that the rip fence can be installed and removed in the original position (released position).
- (5) Make sure that the rip fence can be slid smoothly with no wobble when the knob is on half way of its travel.

⚠ CAUTION:

- Be careful not to tighten screws with more than tightening amount specified in the above instructions. Failure to do so may damage the fastened parts.

Bring the rip fence up flush against the side of the blade. Make sure that the guideline on the fence holder points to the 0 graduation. If the guideline does not point to the 0 graduation, loosen the screw on the scale plate and adjust the scale plate.

► **Fig.34:** 1. Guideline 2. Screws

Connecting to vacuum cleaner

Cleaner operations can be performed by connecting the tool to Makita vacuum cleaner or dust collector.

► **Fig.35**

OPERATION

⚠ CAUTION:

- Always use "work helpers" such as push sticks and push blocks when there is a danger that your hands or fingers will come close to the blade.
- Always hold the workpiece firmly with the table and the rip fence or miter gauge. Do not bend or twist it while feeding. If the workpiece is bent or twisted, dangerous kickbacks may occur.
- NEVER withdraw the workpiece while the blade is running. If you must withdraw the workpiece before completing a cut, first switch the tool off while holding the workpiece firmly. Wait until the blade has come to a complete stop before withdrawing the workpiece. Failure to do so may cause dangerous kickbacks.
- NEVER remove cut-off material while the blade is running.
- NEVER place your hands or fingers in the path of the saw blade. Be especially careful with bevel cuts.
- Always secure the rip fence firmly, or dangerous kickbacks may occur.
- Always use "work helpers" such as push sticks and push blocks when cutting small or narrow workpieces.

Work helpers

Push sticks, push blocks or auxiliary fence are types of "work helpers". Use them to make safe, sure cuts without the need for the operator to contact the blade with any part of the body.

Push block

► **Fig.36:** 1. Face/edge parallel 2. Handle 3. Wood screw 4. Glue together

Use a 19 mm piece of plywood.

Handle should be in center of plywood piece. Fasten with glue and wood screws as shown. Small piece 9.5 mm x 8 mm x 50 mm of wood must always be glued to plywood to keep the blade from dulling if the operator cuts into push block by mistake. (Never use nails in push block.)

Auxiliary fence

► **Fig.37:** 1. Face/edge parallel

Make auxiliary fence from 9.5 mm and 19 mm plywood pieces.

Wood facing (rip fence)

► **Fig.38:** 1. No. 10 wood screws (long enough to penetrate halfway into facing)

A wood facing should be used for operations when the blade comes close to the rip fence. Wood facing for the rip fence should be the same size as the rip fence. Make sure the bottom of facing is flush with the table surface.

Ripping

⚠ CAUTION:

- When ripping, remove the miter gauge from the table.
- When cutting long or large workpieces, always provide adequate support behind the table. DO NOT allow a long board to move or shift on the table. This will cause the blade to bind and increase the possibility of kickback and personal injury. The support should be at the same height as the table.

1. Adjust the depth of cut a bit higher than the thickness of the workpiece.

► **Fig.39**

2. Position the rip fence to the desired width of rip and lock in place by pivoting the grip. Before ripping, make sure the rear end of the rip fence is secured firmly. If it is not secured enough, follow the procedures in the section titled "Installing and adjusting rip fence".

3. Turn the tool on and gently feed the workpiece into the blade along with the rip fence.

(1) When the width of rip is 150 mm and wider, carefully use your right hand to feed the workpiece. Use your left hand to hold the workpiece in position against the rip fence.

► **Fig.40**

(2) When the width of rip is 65 mm - 150 mm wide, use the push stick to feed the workpiece.

► **Fig.41:** 1. Push stick

(3) When the width of rip is narrower than 65 mm, the push stick cannot be used because the push stick will strike the blade guard. Use the auxiliary fence and push block. Attach the auxiliary fence to the rip fence with two "C" clamps.

► **Fig.42:** 1. Auxiliary fence

Feed the workpiece by hand until the end is about 25 mm from the front edge of the table. Continue to feed using the push block on the top of the auxiliary fence until the cut is complete.

► **Fig.43:** 1. Push block 2. Auxiliary fence

Cross cutting

⚠ CAUTION:

- When making a crosscut, remove the rip fence from the table.
- When cutting long or large workpieces, always provide adequate support to the sides of the table. The support should be at the same height as the table.
- Always keep hands away from path of blade.

Miter gauge

- **Fig.44:** 1. Cross cutting 2. Mitering 3. Bevel cutting 4. Compound mitering (angles)

Use the miter gauge for the 4 types of cutting shown in the figure.

⚠ CAUTION:

- Secure the knob on the miter gauge carefully.
- Avoid creep of workpiece and gauge by firm workholding arrangement, especially when cutting at an angle.
- NEVER hold or grasp the intended "cut-off" portion of the workpiece.
- Always adjust the distance between the end of the miter gauge and the saw blade not to exceed 15 mm.

Miter gauge positive stop

- **Fig.45:** 1. Knob 2. Small plate 3. Screw for positive stop

Miter gauge is provided with positive stops at 90°, 45° right and left miter angles for quick setting of miter angles.

To set the miter angle, loosen the knob on the miter gauge.

Raise the small plate on the miter gauge for free setting. Turn the miter gauge to the desired miter angle. Return the small plate on the miter gauge to the original position and tighten the knob clockwise securely.

Use of miter gauge

- **Fig.46:** 1. Groove 2. Miter gauge 3. Knob

Slide the miter gauge into the thick grooves in the table. Loosen the knob on the gauge and align to desired angle (0° to 60°). Bring stock flush up against fence and feed gently forward into the blade.

Auxiliary wood facing (miter gauge)

- **Fig.47**

To prevent a long board from wobbling, fit the miter gauge with an auxiliary fence board. Fasten with bolts/nuts after drilling holes, but fasteners must not protrude from the face board.

Carrying tool

- **Fig.48**

Make sure that the tool is unplugged. Carry the tool by holding the tool part shown in the figure.

⚠ CAUTION:

- Always secure all moving portions before carrying the tool.
- Always make sure that the blade guard is installed in place before the carrying the tool.

MAINTENANCE

⚠ CAUTION:

- Always be sure that the tool is switched off and unplugged before attempting to perform inspection or maintenance.
- Never use gasoline, benzine, thinner, alcohol or the like. Discoloration, deformation or cracks may result.

Cleaning

Clean out sawdust and chips from time to time. Carefully clean the blade guard and moving parts inside the table saw.

Lubrication

To keep the table saw in tip-top running condition, and to assure maximum service life, oil or grease the moving parts and rotating parts from time to time.

Lubrication places:

- Threaded shaft to elevate the blade
- Hinge to rotate the frame
- Elevation guide shafts on motor
- Gear to elevate the blade
- Guide rails for the rip fence
- Shaft of the sub table (R) locking levers
- Sliding part of the sub table (R)

Replacing carbon brushes

- **Fig.49:** 1. Limit mark

Remove and check the carbon brushes regularly. Replace when they wear down to the limit mark. Keep the carbon brushes clean and free to slip in the holders. Both carbon brushes should be replaced at the same time. Use only identical carbon brushes.

Use a screwdriver to remove the brush holder caps. To replace the carbon brushes, remove the blade guard and blade and then loosen the lock lever, tilt the saw head and secure it at 45° bevel angle. Carefully lay the tool on itself backward. Then loosen the brush holder cap. Remove the worn carbon brushes, insert the new ones and secure the brush holder caps.

- **Fig.50:** 1. Brush holder cap 2. Screwdriver

To maintain product SAFETY and RELIABILITY, repairs, any other maintenance or adjustment should be performed by Makita Authorized Service Centers, always using Makita replacement parts.

ACCESSORIES

⚠ CAUTION:

- These accessories or attachments are recommended for use with your Makita tool specified in this manual. The use of any other accessories or attachments might present a risk of injury to persons. Only use accessory or attachment for its stated purpose.

If you need any assistance for more details regarding these accessories, ask your local Makita Service Center.

Table stand set (accessory)

Refer to the instruction manual for table saw stand that is provided with the table saw stand as an optional accessory.

- Steel & Carbide-tipped saw blades
- Sub table (L)
- Sub table (back)
- Rip fence
- Miter gauge
- Offset wrench 13-22
- Wrench 19
- Hex wrench 5
- Joint (for connecting to dust collector)
- Auxiliary plate
- Stand set
- Sliding guide






SPECIFIKATIONER

Modell		2704	
		(för länder i Europa)	(för länder utanför Europa)
Axelhål		30 mm	25 mm och 25,4 mm
Bladdiameter		260 mm	255 mm / 260 mm
Max. sägkapacitet	90°	93 mm	91 mm / 93 mm
	45°	64 mm	63 mm / 64 mm
Obelastat varvtal (min ⁻¹)		4 800	
Bordstorlek (L x B)		(665 mm - 1 045 mm) x (753 mm - 1 066 mm) med slagbord (H) och (bak)	567 mm x (753 mm - 1 066 mm) med slagbord (H)
Mått (L x B x H) med slagbord indragna		715 mm x 753 mm x 344 mm med slagbord (H) och (bak)	665 mm x 753 mm x 344 mm med slagbord (H)
Vikt		34,9 kg	29,5 kg
Säkerhetsklass		□, II	

- På grund av vårt pågående program för forskning och utveckling kan dessa specifikationer ändras utan föregående meddelande.
- Specifikationerna kan variera mellan olika länder.
- Vikt i enlighet med EPTA-procedur 01/2003

Symboler

Följande visar symbolerna som används för utrustningen. Se till att du förstår innebörden innan du använder bormaskinen.

	Läs bruksanvisningen.
	DUBBEL ISOLERING
	Bär skyddsglasögon.
	Håll inte handen eller fingrarna i närheten av sågbladet.
	Gäller endast inom EU Elektrisk utrustning får inte kastas i hushållsavfallet! Enligt direktivet 2002/96/EC som avser deponering av elektrisk och elektronisk utrustning samt tillhörande föreskrifter i det aktuella landets lagstiftning ska uttjänt elektrisk utrustning sopsorteras och lämnas till miljöstation för återvinning.

Användningsområde

Verktaget är avsett för skärning i trä.

Strömförsörjning

Maskinen får endast anslutas till nät med spänning som anges på typplåten och med enfasis växelström. Den är dubbelisolerad i enlighet med europeisk standard och får därför också anslutas till ojordade vägguttag.

Buller

Typiska A-vägda bullernivån är mätt enligt EN61029:

Ljudtrycksnivå (L_{PA}): 94 dB (A)

Ljudeffektnivå (L_{WA}): 107 dB (A)

Måttolerans (K): 3 dB (A)

Använd hörselskydd

Gäller endast Europa

EU-konformitetsdeklaration

Vi Makita Corporation som ansvariga tillverkare deklarerar att följande Makita-maskin(er):

Maskinbeteckning:

Bordssåg

Modellnr./-typ: 2704

är serieproduktionsstillverkad och

Följer följande EU-direktiv:

2006/42/EC

Och är tillverkade enligt följande standarder eller standardiseringsdokument:

EN61029

Den tekniska dokumentationen förs av vår auktoriserade representant i Europa som är:

Makita International Europe Ltd.

Michigan Drive, Tongwell,

Milton Keynes, Bucks MK15 8JD, England

21.4.2010



Tomoyasu Kato

Direktör

Makita Corporation

3-11-8, Sumiyoshi-cho,

Anjo, Aichi, 446-8502, JAPAN

Allmänna säkerhetsvarningar för maskin

⚠ VARNING Läs igenom alla säkerhetsvarningar och instruktioner. Underlåtenhet att följa varningar och instruktioner kan leda till elektrisk stöt, brand och/eller allvariga personskador.

Spara alla varningar och instruktioner för framtida referens.

YTTERLIGARE SÄKERHETSANVISNINGAR FÖR MASKINEN

SPARA DESSA ANVISNINGAR.

1. Använd ögonskydd.
2. Använd inte verktyget i närheten av lättantändliga vätskor eller gaser.
3. Använd **ALDRIG** verktyget med en slipande kapskiva monterad.
4. Kontrollera noga före användning att sågbladet inte har sprickor eller är skadat. Byt omedelbart ut ett skadat eller sprucket sågblad.
5. Använd endast de sågblad som rekommenderas av tillverkaren och som överensstämmer med EN847-1, och observera att spaltkniven inte får vara vara tjockare än sågningens bredd och inte tunnare än sågbladet.
6. Använd alltid tillbehör som rekommenderas i denna bruksanvisning. Opassande tillbehör som till exempel en slipande kapskiva kan orsaka skada om de används.
7. Välj ett sågblad som passar det material som skall sågas.
8. Använd inte sågblad som tillverkats av snabbstål.
9. För att minska bullret, se alltid till att sågbladet är vasst och rengjort.
10. Använd korrekt slipade sågblad. Observera maximal hastighet som markerats på sågbladet.
11. Rengör spindeln, flänsarna (speciellt monteringsytan) och sexkantsmuttern innan bladet monteras. En dålig montering kan orsaka vibrationer/skakningar eller att bladet slirar.
12. Använd klingskydd och spaltkniv i de lägen där de kan användas, inklusive alla fall av genomsågning. Installera alltid klingskyddet genom att följa instruktionerna i denna bruksanvisning. Genomsågning innebär att sågbladet skär helt igenom arbetsstycket som vid klyvning eller kapning. Använd **ALDRIG** verktyget med ett felaktigt klingskydd eller genom att fästa skyddet med ett rep, snöre etc. Varje slag av onormalt beteende för klingskyddets funktion skall åtgärdas omedelbart.
13. Montera omedelbart tillbaka skyddet och spaltkniven efter att en funktion slutförts som kräver att skyddet avlägsnas.
14. Såga inte i metallföremål som till exempel spikar och skruvar. Sök igenom arbetsstycket efter spikar, skruvar eller främmande material och avlägsna dessa innan körningen påbörjas.
15. Avlägsna alla nycklar, avsågade delar etc. från arbetsbordet innan strömbrytaren slås på.
16. Använd **ALDRIG** handskar under arbetet.
17. Håll händerna borta från bladets såglinje.
18. Stå aldrig själv eller låt inte heller någon annan stå i bladets såglinje.
19. Se till att sågbladet inte kommer i kontakt med spaltkniven eller arbetsstycket innan strömbrytaren slagits på.
20. Låt verktyget vara igång en stund innan det används på arbetsstycket. Kontrollera att sågbladet inte vibrerar eller skakar vilket kan innebära att den är felaktigt monterad eller dåligt balanserad.
21. Verktyget skall inte användas för spår- eller fallsågning.
22. Byt ut arbetsbordets insats när det är slitet.
23. Utför aldrig justeringar när verktyget är igång. Koppla från verktyget innan justeringar utförs.
24. Använd en matarpinne vid behov. En matarpinne måste användas vid kapning av små arbetsstycken för att hålla händer och fingrar på ett säkert avstånd från sågbladet.
25. Lägg alltid undan matarpinnen på en säker plats när den inte används.
26. Var särskilt uppmärksam på anvisningarna för hur man minskar risken för **BAKÅTKAST**. **BAKÅTKAST** är en plötslig reaktion på ett klämt, bundet eller felriktat sågblad. **BAKÅTKAST** kallas det när arbetsstycket plötsligt kastas tillbaka från maskinen mot operatören. **BAKÅTKAST KAN LEDA TILL ALLVARLIG PERSONSKADA**. Undvik **BAKÅTKAST** genom att hålla bladet slipat, genom att hålla parallellanslaget parallellt mot bladet, genom att hålla spaltkniven och klingskyddet på dess rätta plats och i fungerande skick, genom att inte släppa arbetsstycket förrän du fört det hela vägen förbi sågbladet och genom att inte kapa ett arbetsstycke som är vridet eller skevt eller som inte har en rak kant som leder arbetsstycket längs anslaget.
27. Utför aldrig sågning på frihand. Frihand innebär att använda händerna för att stödja eller leda arbetsstycket istället för ett parallellanslag eller ett geringsanslag.
28. Sträck dig **ALDRIG** runt eller över sågbladet. Sträck dig aldrig efter ett arbetsstycke förrän sågbladet stannat helt.
29. Undvik snabb eller häftigt frammatning av arbetsstycket. Mata fram arbetsstycket så långsamt som möjligt vid sågning av hårda arbetsstycken. Böj eller vrid inte arbetsstycket när det matas. Stäng grenast av maskinen om sågbladet kläms eller kör fast i arbetsstycket. Dra ur maskinens kontakt ur vägguttaget. Lossa sedan sågbladet från arbetsstycket.
30. Avlägsna aldrig avsågade bitar som ligger nära sågbladet och vidrör inte klingskyddet när sågbladet snurrar.

31. Ta bort lösa utväxter från arbetsstycket INNAN du börjar såga.
32. Misshandla inte nåtsladden. Böj aldrig i sladden när du drar ur den från uttaget. Håll sladden borta från värme, olja, vatten och vassa kanter.
33. Visst damm som skapas vid användning innehåller kemikalier som kan orsaka cancer, födelsedefekter eller annan skada vid fortplantning. Några exempel på dessa kemikalier är:
 - bly från material målat med blybaserad färg och
 - arsenik och krom från kemiskt behandlat virke.
 - Risken för exponering varierar beroende på hur ofta du utför denna typ av arbete. För att minska risken för exponering av dessa kemikalier: arbeta i ett välventilerat område och arbeta med godkänd säkerhetsutrustning som till exempel dammskylt vilken skapats speciellt för filtrering av mikroskopiska partiklar.
34. Anslut verktyget till en anordning för dammuppsamling innan sågning.
35. Skyddet kan lyftas upp när arbetsstycket installeras och för enkel rengöring. Se alltid till att klingskyddet är nerfällt och jämnt mot sågbordet innan verktyget kopplas in.

SPARA DESSA ANVISNINGAR.

INSTALLATION

Placering av bordssåg

- **Fig.1:** 1. Håldiameter 8 mm
- **Fig.2:** 1. 6 mm standardbricka 2. Nr.10 träskruv, minimal längd 40 mm
- **Fig.3:** 1. 6 mm standardbricka 2. 6 mm monteringsbult och mutter hårt ådragna

Placera bordsågen på en väl upplyst och jämn plats där du kan stå stadigt med bra balans. Platsen bör ha tillräckligt med fritt utrymme så att arbetsstycken av den storlek du arbetar med lätt kan hanteras. Bordsågen skall fästas med fyra skruvar eller bultar till arbetsbordet eller bordsågens benställning i de hål som finns i bordsågens underdel. Om bordsågen fästs i ett arbetsbord bör du se till att det finns en öppning i arbetsbordet som är lika stor som öppningen på bordsågens underdel, så att sågspån kan falla igenom. Om du under drift märker att bordsågen håller på att falla omkull, glida eller flytta sig bör arbetsbordet eller bordsågens benställning fästas i golvet.

Förvaring av tillbehör

- **Fig.4:** 1. Geringanslag
 - **Fig.5:** 1. Parallellanslag 2. Matarpinne
- Geringanslaget, sågbladet och skiftnycklarna kan förvaras på sågens vänstra sida och parallellanslaget kan förvaras på den högra sidan.

FUNKTIONS BESKRIVNING

⚠ FÖRSIKTIGT:

- Se alltid till att maskinen är avstängd och nåtsladden urdragen innan du justerar eller funktionskontrollerar maskinen.

Inställning av sågdjup

- **Fig.6:** 1. Handtag

Sågdjupet kan justeras genom att vrida handtaget. Vrid handtaget medurs för att höja bladet eller moturs för att sänka det.

OBS:

- Ställ in ett yttigare sågdjup vid sågning i tunna material för att erhålla en renare sågning.

Justering av vinkeln vid vinkelsågning

- **Fig.7:** 1. Låsknapp 2. Pilmarkering 3. Handvred

Lossa låsspaken moturs och vrid handvredet tills önskad vinkel (0° - 45°) erhålls. Pilmarkeringen indikerar inställd vinkel. Dra åt låsspaken medurs för att säkra justeringen efter att den önskade vinkeln är inställd.

⚠ FÖRSIKTIGT:

- Se till att dra åt låsspaken efter att vinkeln justerats.

Justering av fasta stopplägen

- **Fig.8:** 1. 90° Justeringsskruv 2. 45° Justeringsskruv
- **Fig.9**

Maskinen är utrustad med fasta stopplägen vid 90° och 45° mot bordsytan. Gör enligt följande för att kontrollera och justera de fasta stopplägena: Vrid handvredet så långt det går. Placera en vinkelhake på bordet och kontrollera om sågbladet är i 90° eller 45° mot bordsytan. Om bladet är i vinkeln som visas i fig. A, vrider du justeringsskruvarna medurs. Om bladet är i vinkeln som visas i fig. B vrider du justeringsskruvarna moturs för att justera de fasta stopplägena. Efter att du justerat de fasta stopplägena ställer du in bladet i 90° mot bordsytan. Justera därefter pilmarkering så att dess högra kant ligger i rak linje mot 0°-graderingen.

- **Fig.10:** 1. Pilmarkering

Avtryckarens funktion

Reglageströmbrytare

- **Fig.11:** 1. Strömbrytare

⚠ FÖRSIKTIGT:

- Se alltid till att maskinen är avstängt innan du ansluter maskinen till elnätet.

Höj strömbrytarens reglage för att starta maskinen. Sänk strömbrytarens reglage för att stoppa maskinen. Strömbrytarens gängade platta kan låsas genom att föra hänglåset genom haspen på vänster sida.

- **Fig.12:** 1. Hänglås

Knappströmbrytare

► Fig.13: 1. Strömbrytare

FÖRSIKTIGT:

- Se till att maskinen slås på och av innan den används.

Tryck på knappen ON (I) för att starta maskinen.

Tryck på knappen OFF (O) för att stoppa den.

Slagbord (H)

► Fig.14: 1. Spak

► Fig.15: 1. Slagbord (H)

Med denna maskin medföljer slagbordet (H) på höger sida om arbetsbordet. För att använda slagbordet (H), höjer man båda reglagen på höger sida av maskinens front, drar ut bordet (H) helt och sänker sedan reglagen för att fästa det.

När slagbordet (H) används skall du lokalisera bordets måttskiva efter att du lossat på dess skruv med en skruvmejsel så att den blir vinkelrät med arbetsbordets måttskiva.

► Fig.16: 1. Måttskiva 2. Skruv

Slagbord (bak) (valfritt tillbehör för länder utanför Europa)

► Fig.17: 1. Slagbord (bak) 2. Skruv

För att använda slagbordet (bak) lossar du på skruvarna på vänster och höger sida under bordet och drar ut den bakåt till önskad position. Dra åt skruven vid önskad position.

OBS:

- När slagbordet (bak) används samtidigt som parallellanslaget, drar du ut slagbordet (bak) mer än 50 mm så att det inte stöter emot parallellanslagets övre del.

Slagbord (V) (valfritt tillbehör)

► Fig.18: 1. Skruv 2. Slagbord (V)

Slagbord (V) (valfritt tillbehör) kan monteras på arbetsbordets vänstra sida för att få ett större utrymme.

MONTERING

FÖRSIKTIGT:

- Se alltid till att maskinen är avstängd och nätsladden urdragen innan maskinen repareras.

Maskinen levereras från fabrik med sågbladet och klingskyddet i omonterat skick. Montera enligt följande:

Montering eller borttagning av sågblad

FÖRSIKTIGT:

- Kontrollera alltid att maskinen är avstängd och att nätkabeln är utdragen innan sågbladet monteras eller tas bort.
- Använd endast medföljande hylsnyckel från Makita för att montera eller ta bort sågbladet. Om inte detta görs kan det leda till att sexkantsbulten dras åt för hårt eller för löst, vilket kan orsaka skada.
- Använd följande sågblad. Använd inte sågblad som inte överensstämmer med de specifikationer som ges i denna bruksanvisning.

För modell	Max. diam.	Min. diam.	Bladjocklek	Snittbredd
2704	260 mm	230 mm	1,8 mm eller mindre	2 mm eller mer

FÖRSIKTIGT:

- Kontrollera diametern på sågbladets axelhål innan det monteras. Använd alltid korrekt insatsring för axelhålet på det sågblad du skall använda.

► Fig.19: 1. Uppböjd hålnyckel 2. Sexkantmutter 3. Skruvnyckel

Ta bort arbetsbordets insats. Håll den yttre flänsen med uppböjd hålnyckel och lossa på sexkantmuttern moturs med skiftnyckeln. Ta sedan bort den yttre flänsen.

Montera den inre flänsen, insatsringen, sågbladet, yttre flänsen och sexkantmuttern på axeln och se till att bladets tänder pekar nedåt vid bordets framända. Montera alltid sexkantmuttern med dess försänkta sida riktad mot den yttre flänsen.

► Fig.20: 1. Innerfläns 2. Ring 3. Sågblad 4. Yttre fläns 5. Sexkantmutter

För alla länder utanför Europa

FÖRSIKTIGT:

- Silverringen med en yttre diameter på 25,4 mm är fabriksmonterad på spindeln. Den svarta ringen med en yttre diameter på 25 mm medföljer som standardutrustning. Innan bladet monteras på spindeln, skall du alltid se till att korrekt insatsring för axelhålet på det blad du skall använda monteras på spindeln.

För länder i Europa

FÖRSIKTIGT:

- Insatsringen med en yttre diameter på 30 mm har fabriksmonterats mellan den inre och yttre flänsen.
- Håll flänsens yta ren från smuts och annat främmande material, annars kan det hända att sågbladet glider. Se till att bladet monteras så att tänderna ligger i linje i sågningsriktningen.

För att fästa sågbladet på plats håller du i den yttre flänsen med den uppböjda hålnyckel, drar sedan åt sexkantmuttern medurs med skiftnyckeln. SE TILL ATT DRA ÅT SEXKANTMUTTERN ORDENTLIGT.

► Fig.21: 1. Uppböjd hålnyckel 2. Skruvnyckel

⚠ FÖRSIKTIGT:

- Håll sexkantsmuttern försiktigt med skiftnyckeln. Om ditt grepp slinter, kan det hända att skiftnyckeln slinter och din hand träffar bladets vassa kant.

Montering av klingskydd

► **Fig.22:** 1. Klingskydd 2. Spaltkniv 3. monteringsdel klingskydd (stötta)

► **Fig.23:** 1. Klingskydd 2. Spaltkniv

⚠ FÖRSIKTIGT:

- Innan klingskyddet monteras bör du höja upp sågdjupet maximalt.

För klingskydd utanför Europa

Ta bort mitthöljet. Montera spaltkniven i klingskyddets monteringsdel (stötta). Dra åt sexkantsbultarna (A) med hjälp av medföljande skiftnyckel.

För klingskydd i Europa

► **Fig.24:** 1. Spaltkniv 2. Klingskydd 3. Spak

► **Fig.25:** 1. Klingskydd 2. Spaltkniv

Ta bort mitthöljet. Montera spaltkniven i klingskyddets monteringsdel (stötta). Dra åt sexkantsbultarna (A) med hjälp av medföljande skiftnyckel.

Placera klingskyddet i spaltknivens spår. Fäst klingskyddet genom att svänga reglaget på klingskyddet.

För klingskydd både i och utanför Europa

Spaltknivens monteringsplats är fabriksinställd så att sågbladet och spaltkniven befinner sig i en rak linje. Om de inte är i en rak linje kan du lossa på sexkantsbultarna (B) och justera klingskyddets monteringsdel (stötta) så att spaltkniven ligger i rak linje bakom bladet. Dra sedan åt sexkantsbultarna (B) för att fästa stötten.

► **Fig.26:** 1. Kniv 2. Dessa två frigångsavstånd skall vara lika stora. 3. Spaltkniv 4. Sexkantsbultar (B) 5. Sexkantsbultar (A)

⚠ FÖRSIKTIGT:

- Om bladet och spaltkniven inte är korrekt inriktade, kan arbetsstycket klämmas fast under drift. Kontrollera att de är korrekt inriktade. Du kan skada dig allvarligt om du använder maskinen när spaltkniven inte är korrekt inriktad.
- Utför ALDRIG justeringar när maskinen är igång. Koppla från maskinen innan justeringar utförs.
- Ta inte bort klyvkniven.

Det måste finnas ett mellanrum på cirka 4 – 5 mm mellan spaltkniven och sågklingans tänder. Lossa sexkantsbultarna (A), justera därefter spaltkniven och dra åt sexkantsbultarna (A) ordentligt. Montera bordsinsatsen på arbetsbordet, kontrollera sedan att klingskyddet fungerar smidigt innan du säger.

► **Fig.27:** 1. Spaltkniv 2. Klingskydd

Montering och justering av parallellanslag

► **Fig.28:** 1. Krok 2. Vred 3. Parallellanslag

1) Passa in haken på parallellanslagets ovansida i löpskenan längst bort på arbetsbordet eller slagbordet (H), och montera och tryck parallellanslaget framåt så att dess fästankordning passar in i den närmsta löpskenan.

För att föra parallellanslaget sidledes på löpskenan, vrider du fästankordningens vred halvvägs.

För att fästa parallellanslaget vrider du fästankordningens vred helt.

2) För att föra på parallellanslaget på löpskenan sidledes, vrider du tillbaka fästankordningens vred helt utan att dra i vredets spak.

3) Vrid vredet framåt samtidigt som du drar i vredets spak för att släppa anslaget.

Kontrollera att parallellanslaget är parallellt med sågbladet genom att först låsa parallellanslaget 2 - 3 mm från bladet. Høj sågbladet till dess högsta läge. Märk en sågtand med en krita. Mät avståndet (A) och (B) mellan parallellanslaget och sågbladet. Utför båda mätningarna med hjälp av den kritmärkta sågtanden. Dessa två mått skall vara identiska. Gör enligt följande om inte parallellanslaget är parallellt med sågbladet:

► **Fig.29:** 1. Skala

► **Fig.30:** 1. Sexkantsbultar

1. Placera parallellanslaget i det skjutbara läget.
2. Lossa de två sexkantsbultarna på parallellanslaget med hjälp av medföljande insexnyckel.
3. Justera parallellanslaget tills det hamnar parallellt med sågbladet.
4. Sänk ner vredet på parallellanslaget mot operatören.
5. Dra åt de två sexkantsbultarna på parallellanslaget.

► **Fig.31**

⚠ FÖRSIKTIGT:

- Se till att justera parallellanslaget så att det är parallellt med sågbladet, annars kan bakåtkast ske vid drift.

Om parallellanslaget inte kan fästas ordentligt, justera det enligt följande anvisningar.

- (1) Ställ parallellanslaget på bordet och dra i vredets spak halvvägs (flyttbart läge). Dra åt skruven (A) tills parallellanslaget sitter fast. Lossa sedan ett 1/4 till 1/2 varv.

► **Fig.32:** 1. Parallellanslag 2. Frigjort läge 3. Rörligt läge 4. Läst läge

► **Fig.33:** 1. Parallellanslag 2. Rörligt läge 3. Skruv (B) 4. Skruv (A)

- (2) Dra åt skruven (B) helt och lossa sedan ungefär två hela varv.
- (3) Lås parallellanslaget genom att dra åt spaken på parallellanslagets fästankordning (låst läge).
- (4) Se till att parallellanslaget kan monteras och tas bort i det ursprungliga läget (lös-gjort läge).
- (5) Se till att parallellanslaget glider smidigt utan att vingla när vredet är halvvägs.

⚠ FÖRSIKTIGT:

- Dra inte åt skruvarna med högre åtdragningsmoment än det som anges i anvisningarna ovan. Om inte dessa följs kan de fästa delarna skadas.

För parallellanslaget så att det ligger an mot sågbladet. Se till att pilmarkeringen på parallellanslagets fästordning pekar på 0-graderingen. Lossa skruven på måttkivan och justera måttkivan om pilmarkeringen inte pekar på 0-graderingen.

► **Fig.34:** 1. Riktlinje 2. Skruvar

Anslutning till dammsugare

Renare sågning kan utföras genom att ansluta maskinen till en dammsugare eller dammupsamlare från Makita.

► **Fig.35**

ANVÄNDNING

⚠ FÖRSIKTIGT:

- Använd alltid "arbetshjälp" så som matarpinnar och matarblock när det föreligger risk för att dina händer eller fingrar kommer i närheten av sågbladet.
- Håll alltid fast arbetsstycket stadigt med hjälp av arbetsbordet och parallellanslaget eller geringsanslaget. Böj eller vrid inte arbetsstycket när det matas. Om det böjs eller vrids kan farliga bakåtkast ske vid drift.
- Dra ALDRIG tillbaka arbetsstycket medan sågbladet snurrar. Om du måste dra tillbaka arbetsstycket innan sågningen är genomförd, stänger du första av maskinen samtidigt som du håller stadigt i arbetsstycket. Vänta tills sågbladet har stannat helt innan du drar bort arbetsstycket. I annat fall kan farliga bakåtkast ske.
- Avlägsna ALDRIG avsågade bitar medan sågbladet snurrar.
- Placera ALDRIG dina händer eller fingrar i sågbladets rörelseriktning. Var speciellt försiktig vid vinkelsågning.
- Lås alltid fast parallellanslaget ordentligt annars kan farliga bakåtkast ske.
- Använd alltid "arbetshjälp" såsom matarpinnar och matarblock vid sågning av små eller smala arbetsstycken.

Arbetshjälp

Matarpinnar, matarblock och extra anslag är olika typer av "arbetshjälp". Använd dem för att utföra säkra sågningar utan att operatören kommer i kontakt med sågbladet med någon del av sin kropp.

Matarblock

► **Fig.36:** 1. Passbit 2. Handtag 3. Träskruv 4. Limma samman

Använd en bit plywood 19 mm tjock. Handtaget skall befinna sig i mitten av plywoodbiten. Fäst med lim och träskruvar enligt figuren. En liten bit trä på 9,5 mm x 8 mm x 50 mm måste alltid limmas på plywoodbiten för att förhindra att sågbladet vibrerar om operatören säger i matarblocket av misstag. (Använd aldrig spik i matarblock).

Extra anslag

► **Fig.37:** 1. Passbit

Gör extra anslag av plywoodbitar på 9,5 mm och 19 mm.

Träfodring (parallellanslag)

► **Fig.38:** 1. Nr. 10 träskruvar (tillräckligt långa för att penetrera halvvägs in i fodringen)

En träfodring skall användas vid de tillfällen då sågbladet kommer för nära parallellanslaget. Parallellanslagets träfodring skall vara av samma storlek som parallellanslaget. Se till att fodringens undersida ligger an mot bordsytan.

Klyvsågning

⚠ FÖRSIKTIGT:

- Ta bort geringsanslaget från arbetsbordet vid klyvsågning.
- Se alltid till att ha lämpligt stöd för arbetsstycket på baksidan av arbetsbordet vid sågning av långa eller stora stycken. LÅT INTE en lång skiva flytta sig längs arbetsbordet. Detta gör så att sågbladet fastnar och ökar möjligheten för bakåtkast och personsador. Stödet skall vara av samma höjd som arbetsbordet.

1. Justera sågdjupet till något större än arbetsstyckets tjocklek.

► **Fig.39**

2. Placera parallellanslaget till önskad bredd och lås fast det genom att vrida handtaget. Se till att parallellanslagets bakre del sitter fast ordentligt innan klyvningen utförs. Följ instruktionerna i avsnittet "Montering och justering av parallellanslag", om det inte sitter som det ska.

3. Starta maskinen och mata försiktig i arbetsstycket i sågbladet längs parallellanslaget.

(1) När klyvningens bredd är 150 mm eller mer använder du försiktigt din högra hand för att mata arbetsstycket. Använd vänster hand för att hålla arbetsstycket på plats längs parallellanslaget.

► **Fig.40**

(2) När klyvningens bredd är 65 mm - 150 mm använder du matarpinnen för att mata arbetsstycket.

► **Fig.41:** 1. Matarpinne

(3) När klyvningen är smalare än 65 mm, kan inte matarpinnen användas eftersom den kommer att slå mot klingskyddet. Använd det extra anslaget och matarblock. Montera det extra anslaget på parallellanslaget med två "C-klämmor".

► **Fig.42:** 1. Extra anslag

Mata arbetsstycket med handen tills änden är cirka 25 mm från arbetsbordets främre kant. Fortsätt mata med hjälp av matarblocket ovanpå det extra anslaget till sågningen genomförts.

► **Fig.43:** 1. Matarblock 2. Extra anslag

Tvårsågning

FÖRSIKTIGT:

- Ta bort parallellanslaget från arbetsbordet vid tvårsågning.
- Se alltid till att ha lämpligt stöd för arbetsstycken på arbetsbordets sidor vid sågning av långa eller stora stycken. Stödet skall vara av samma höjd som arbetsbordet.
- Håll alltid händerna borta från bladets såglinje.

Geringsanslag

► **Fig.44:** 1. Tvårsågning 2. Geringssågning
3. Vinkelsågning 4. Sammansatt gerings-sågning (vinklar)

Använd geringsanslaget vid de fyra olika sågningarna som visas i figuren.

FÖRSIKTIGT:

- Dra åt vredet på geringsanslaget ordentligt.
- Undvik att arbetsstycket och anslaget kryper genom att hålla stadigt i dem, speciellt vid sågning i vinklar.
- Håll ALDRIG i den del av arbetsstycket som ska sågas av.
- Justera alltid avståndet mellan änden på geringsanslaget och sågbladet så att det inte överstiger 15 mm.

Fast stoppläge för geringsanslag

► **Fig.45:** 1. Vred 2. Liten skiva 3. Skruv för fast stoppläge

Geringsanslag levereras med fasta stopplägen vid 90°, 45° höger och vänster geringsvinklar för snabb inställning av vinklar.

Lossa geringsanslagets vred för att ställa in geringsvinkel. Hög den lilla plattan på geringsanslaget för att ställa in valfri vinkel. Vrid geringsanslaget till önskad vinkel. Placera tillbaka den lilla plattan på geringsanslaget och fäst vredet ordentligt genom att vrida det medurs.

Användning av geringsanslag

► **Fig.46:** 1. Spår 2. Geringsanslag 3. Vred

Skjut in geringsanslaget i arbetsbordets breda spår. Lossa vredet på anslaget och ställ in önskad vinkel (0° till 60°). Håll arbetsstyckets bakdel dikt an mot anslaget och mata långsamt mot sågbladet.

Extra träfodring (geringsanslag)

► **Fig.47**

För att förhindra att långa brådor vibrerar monterar du ett extra anslag på geringsanslaget. Fäst med bultar/muttrar i borrade hål. Fästena får inte skjuta ut från anslaget.

Bära maskinen

► **Fig.48**

Se till att maskinens nätsladd är utdragen. Bär maskinen genom att hålla enligt figuren.

FÖRSIKTIGT:

- Fäst alltid alla rörliga delar innan du bär maskinen.
- Kontrollera alltid att klingskyddet är monterat på plats innan du bär maskinen.

UNDERHÅLL

FÖRSIKTIGT:

- Se alltid till att maskinen är avstängd och nätkabeln utdragen innan inspektion eller underhåll utförs.
- Använd inte bensin, thinner, alkohol eller liknande. Missfärgning, deformation eller sprickor kan uppstå.

Rengöring

Torka då och då bort damm och sågspån. Rengör klingskyddet och rörliga delar inuti bordsågen noggrant.

Smörjning

Olja och fetta in rörliga och roterande delar då och då för att hålla maskinen i trim och för att säkerställa maskinens maximala livslängd.

Platser som skall smörjas:

- Gångad axel för upphöjning av bladet
- Ramens roteringsanordning
- Ledaxlar för höjning av motorn
- Kugghjul för höjning av sågbladet
- Parallellanslagets löpskenor
- Axel på slagbordets (H) läsreglage
- Slagbordets (H) glidande delar

Byte av kolborstar

► **Fig.49:** 1. Slitmarkering

Ta bort och kontrollera kolborstarna regelbundet. Byt dem när de är slitna ner till slitmarkeringen. Håll kolborstarna rena så att de lätt kan glida in i hållarna. Båda kolborstarna ska bytas ut samtidigt. Använd endast identiska kolborstar.

Använd en skruvmejsel för att ta bort locken till kolborstarna. För att byta ut kolborstarna, ta bort klingskyddet och sågbladet och lossa sedan på låsspaken och vippa såghuvudet och lås det i 45° vinkel. Lägg försiktigt maskinen med baksidan nedåt. Lossa därefter på kolhållarlocket. Ta ur de utslitna kolborstarna, montera nya och fäst kolhållarlocket.

► **Fig.50:** 1. Kolhållarlock 2. Skruvmejsel

För att upprätthålla produktens SÄKERHET och TILLFÖRLITLIGHET bör allt underhålls- och justeringsarbete utföras av ett auktoriserat Makita servicecenter och med reservdelar från Makita.

TILLBEHÖR

⚠ FÖRSIKTIGT:

- Dessa tillbehör och tillsatser rekommenderas för användning tillsammans med den Makita-maskin som denna bruksanvisning avser. Om andra tillbehör eller tillsatser används kan det uppstå risk för personskador. Använd endast tillbehören eller tillsatserna för de syften de är avsedda för.

Kontakta ditt lokala Makita servicecenter om du behöver ytterligare information om dessa tillbehör.

Bordsstativsats (tillbehör)

Se bruksanvisningen för bordsågsstativ som levereras med bordsågsstativet (valfritt tillbehör).

- HM-pläterat sågblad av stål
- Slagbord (V)
- Slagbord (bak)
- Parallellanslag
- Geringsanslag
- Uppböjd hålnyckel 13-22
- Skruvnyckel 19
- Insexnyckel 5
- Adapter (för anslutning till spånuppsamlare)
- Extraskiva
- Stativsats
- Skjutbart anslag






TEKNISKE DATA

Modell		2704	
		(for land i Europa)	(for land utenfor Europa)
Spindelhull		30 mm	25 mm og 25,4 mm
Bladdiameter		260 mm	255 mm / 260 mm
Maks. Skjærekapasitet	90°	93 mm	91 mm / 93 mm
	45°	64 mm	63 mm / 64 mm
Ubelastet turtall (min ⁻¹)		4 800	
Bordstørrelse (H x B)		(665 mm - 1 045 mm) x (753 mm - 1 066 mm) med tilleggsbord (R) og (tilbake)	567 mm x (753 mm - 1 066 mm) med tilleggsbord (R)
Mål (L x B x H) når bordet(-ene) ikke er trukket ut		715 mm x 753 mm x 344 mm med tilleggsbord (R) og (tilbake)	665 mm x 753 mm x 344 mm med tilleggsbord (R)
Nettovekt		34,9 kg	29,5 kg
Sikkerhetsklasse		□, II	

- Som følge av vårt kontinuerlige forsknings- og utviklingsprogram kan de tekniske dataene endres uten ytterligere forvarsel.
- Tekniske data kan variere fra land til land.
- Vekt i henhold til EPTA-prosedyre 01/2003

Symboler

Nedenfor ser du symbolene som brukes for dette utstyret. Forviss deg om at du forstår hva de betyr, før du begynner å bruke maskinen.

	Les bruksanvisningen.
	DOBBEL ISOLERING
	Bruk vernebriller.
	Ikke legg hender eller fingre nær sagbladet.
	Bare for land i EU Kast aldri elektroutstyr i husholdnings-avfallet! I henhold til EU-direktiv 2002/96/EF om kasserte elektriske og elektroniske produkter og direktivets iverksetting i nasjonal rett, må elektroutstyr som ikke lenger skal brukes, samles separat og returneres til et miljøvennlig gjenvinningsanlegg

Beregnet bruk

Denne maskinen er laget for å skjære i tre.

Strømforsyning

Maskinen må bare kobles til en strømkilde med samme spenning som vist på typeskiltet, og kan bare brukes med enfase-vekselstrømforsyning. Det er dobbelt verneisolert i samsvar med europeiske standarder, og kan derfor også brukes i kontakter uten jordledning.

Støy

Typisk A-vektet lydtrykknivå er bestemt i henhold til EN61029:

Lydtrykknivå (L_{pA}): 94 dB (A)

Lydeffektnivå (L_{WA}): 107 dB (A)

Usikkerhet (K): 3 dB (A)

Bruk hørselvern

Gjelder bare land i Europa

EF-samsvarserklæring

Som ansvarlig produsent erklærer Makita Corporation at følgende Makita-maskin(er):

Maskinbetegnelse:

Bordsag

Modellnr./type: 2704

er av serieproduksjon og

Samsvarer med følgende europeiske direktiver:
2006/42/EC

Og er produsert i samsvar med følgende standarder eller standardiserte dokumenter:
EN61029

Den tekniske dokumentasjonen oppbevares hos vår autoriserte representant i Europa, som er:

Makita International Europe Ltd.

Michigan Drive, Tongwell,

Milton Keynes, Bucks MK15 8JD, England

21.4.2010



Tomoyasu Kato

Direktør

Makita Corporation

3-11-8, Sumiyoshi-cho,

Anjo, Aichi, 446-8502, JAPAN

Generelle advarsler angående sikkerhet for elektroverktøy

⚠ADVARSEL Les alle sikkerhetsadvarslene og alle instruksjonene. Hvis du ikke følger alle advarslene og instruksjonene som er oppført nedenfor, kan det føre til elektriske støt, brann og/eller alvorlige helseskader.

Oppbevar alle advarsler og instruksjoner for senere bruk.

YTTERLIGERE SIKKERHETSREGLER FOR MASKINEN

TA VARE PÅ DISSE INSTRUKSENE.

1. Bruk hørselsvern.
2. Ikke bruk maskinen i nærheten av brennbare væsker eller gasser.
3. Bruk ALDRI maskinen med en ru avskjærskive.
4. Før du begynner å bruke maskinen, må du kontrollere nøye at bladet ikke har sprekker eller andre skader. Skift ut sprukne eller ødelagte blader omgående.
5. Bruk kun sagblader som anbefales av produsenten og som er i samsvar med EN847-1, og merk deg at kløyvekniven ikke må være tykkere enn bredden på kuttet fra sagbladet og ikke tynnere enn selve bladet.
6. Bruk alltid utstyr anbefalt i denne håndboken. Bruk av upassende utstyr som ruer avskjærskiver kan føre til personskader.
7. Velg riktig sagblad for materialet som skal skjæres.
8. Ikke bruk sagblader som er laget av høyhastighetsstål.
9. Pass alltid på at bladet er skarpt og rent for å redusere lydutslipp.
10. Bruk riktig kvessede sagblader. Hold deg til maksimum hastighet som merket på sagbladet.
11. Rengjør og pass på å ikke ødelegge spindelene, flensene (særlig monteringsflaten) og hexskruen før installering av bladet. Dårlig installering kan føre til vibrering/vingling eller at bladet glir.
12. Bruk sagbladvern og kløyvekniv for hver jobb den kan brukes til, inkludert all gjennom-saging. Installer alltid bladvernet etter instruksjonene som skisseres i denne håndboken. Gjennom-sagingsjobber er de jobbene hvor bladet skjærer helt igjennom arbeidsstykket som ved kløyving eller kryssskjæring. Bruk ALDRI maskinen med et mangelfullt bladvern eller sikre bladet med et tau, en tråd osv. Envher uregelmessighet i bladvernene bør rettes opp omgående.
13. Sett vernet og kløyvekniven på igjen med det samme etter at du er ferdig med en jobb som krever at du fjerner vernet.
14. Ikke skjær metallobjekter som spiker og skruer. Se etter og fjern all spiker og andre fremmedlegemer fra arbeidsemnet før arbeidet påbegynnes.
15. Fjern skiftnøkler, avskjær osv. fra bordet før du slår på bryteren.
16. bruk ALDRI hansker under arbeidet.
17. Hold hendene unna banen til sagbladet.
18. Du må ALDRI stå eller la andre stå i linje med banen til sagbladet.
19. Forviss deg om at bladet ikke er i kontakt med kløyvekniven eller arbeidsstykket før startbryteren slås på.
20. Før du begynner å bruke maskinen på et arbeidsstykke, bør du la den gå en liten stund. Se etter vibrasjoner eller vingling som kan tyde på at bladet er dårlig balansert.
21. Maskinen må ikke brukes til å lage spor, å lage falsker eller noting.
22. Bytt ut bordinnskuddet når det er slitt.
23. Juster ALDRI mens maskinen er i gang. Koble fra maskinen før du justerer noe som helst.
24. Bruk en skyvepinne når det trengs. Skyvepinnen MÅ brukes når man kløyver smale arbeidsstykker slik at man holder hendene og fingrene unna bladet.
25. Når du ikke bruker skyvepinnen må du alltid legge den bort.
26. Legg ekstra godt merke til instruksjonene for å redusere risiko for at maskinen SLÅR TILBAKE MOT OPERATØREN. TILBAKESLAG er en plutselig reaksjon på et klemt, fastsittende eller feiljustert sagblad. Dette fører til at arbeidsstykket kastes tilbake i retning av operatøren. TILBAKESLAG KAN FØRE TIL ALVORLIG PERSONSKADE. Unngå TILBAKESLAG ved å holde bladet skarpt, ved å holde parallellanlegget parallelt med bladet, ved å holde kløyvekniven og bladvernet på plass og i skikkelig stand, ved å la være å slippe arbeidsstykket til du har dyttet det helt forbi bladet, og ved ikke å kløyve et arbeidsstykke som er vridd eller bøyd eller som ikke har rette kanter som kan føres langs parallellanlegget.
27. Utfør aldri en jobb på frihånd. Frihånd betyr at du bruker hendene til å støtte eller føre arbeidsstykket isteden for et parallellanlegg eller en gjæringsmåler.
28. Strekk deg aldri rundt eller over sagbladet. Strekk deg ALDRI etter et arbeidsstykke til sagbladet har stoppet helt.
29. Unngå plutselig, rask mating. Mat så sakte som mulig når du skjærer harde arbeidsstykker. Ikke bøy eller vri arbeidsstykket når du mater. Slå av maskinen omgående hvis bladet stopper eller setter seg fast i arbeidsstykket. Koble fra maskinen. Fjern så den fastkjørte biten.
30. Fjern ALDRI avskjær i nærheten av bladet og ta aldri på bladvernet mens bladet er i gang.
31. Slå ut alle løse kvister fra arbeidsstykket FØR du begynner å skjære.

32. Ikke misbruk strømkabelen. Det er aldri nødvendig å bruke makt når maskinen brukes. Hold strømkabelen unna varme, olje, vann og skarpe kanter.
33. Noen typer støv som produseres ved bruk inneholder kjemikalier som er kjent for å forårsake kreft, fosterskader eller annen reproduktiv skade. Noen eksempler på disse kjemikalierne er:
- bly fra materialer malt med blybasert maling og,
 - arsenikk og krom fra kjemisk behandlet tømmer.
 - Din risiko fra denne utsettelsen varierer, etter som hvor ofte du gjør denne typen arbeid. For å redusere utsettelsen for disse kjemikalierne: arbeid i et godt ventilert område og arbeid med godkjent sikkerhetsutstyr, som de støvmaskene som er utarbeidet spesielt for å filtrere ut mikroskopiske partikler.
34. Koble maskinen til et støvoppsamlingsapparat når du sager.
35. Vernet kan løftes når man setter opp arbeidsstykket slik at det er lettere å gjøre rent. Pass alltid på at lokket på vernet er nede og flatt mot sagbordet før du kobler til maskinen.

TA VARE PÅ DISSE INSTRUKSENE.

MONTERING

Plassere bordsag

- **Fig.1:** 1. Hulldiameter 8 mm
- **Fig.2:** 1. 6 mm standardskive 2. Nr. 10 treskrue 40 mm min. lengde
- **Fig.3:** 1. 6 mm standardskive 2. 6 mm monterings-skrue og -mutter, stram godt

Plasser bordsagen i et godt opplyst og jevnt område hvor du har godt fotfeste og god balanse. Den må monteres i et område som har nok plass til størrelsen på arbeidsemnene du jobber med. Bordsagen må sikres i arbeidsbenken eller bordsagstativet med fire skruer eller bolter. Bruk hullene på bunnen av sagen. Når du sikrer bordsagen i arbeidsbenken, må du passe på at det er en åpning i toppen av arbeidsbenken på samme størrelse som åpningen i bunnen av bordsagen slik at sagmuggen kan falle ut.

Hvis sagen tenderer til å vippe under drift, må arbeidsbenken eller sagstativet festes til gulvet.

Oppbevare tilbehør

- **Fig.4:** 1. Gjæringsmåler
- **Fig.5:** 1. Parallellanlegg 2. Støtstang

Gjæringsmåleren, bladet og skrunøkklene kan oppbevares på venstre side av foten, og parallellanlegget kan oppbevares på høyre side av foten.

FUNKSJONS BESKRIVELSE

⚠ **FORSIKTIG:**

- Forviss deg alltid om at maskinen er slått av og støpselet trukket ut av kontakten før du justerer maskinen eller kontrollerer dens mekaniske funksjoner.

Justere skjæredybden

- **Fig.6:** 1. Håndtak

Skjæredybden kan justeres ved å dreie på hendelen. Drei hendelen med klokken for å heve bladet eller mot klokken for å senke det.

MERK:

- Bruk en kort dybdeinnstilling når du sager i tynne materialer for å få et renere kutt.

Justere skråvinkelen

- **Fig.7:** 1. Låsehendel 2. Pilpeker 3. Håndhjul

Løse sperrespaken mot klokken og drei håndhjulet til ønsket vinkel (0° - 45°) er oppnådd. Skråvinkelen vises av pilmarkøren.

Nå du har oppnådd ønsket vinkel, må du stramme sperrespaken med klokken for å sikre justeringen.

⚠ **FORSIKTIG:**

- Etter at du har justert skråvinkelen, må du stramme sperrespaken godt.

Justere klikkstopper

- **Fig.8:** 1. 90° Justeringsskrue 2. 45° Justeringsskrue
- **Fig.9**

Sagen er utstyrt med klikkstopper i 90° og 45° vinkel til bordflaten. Gå frem på følgende måte for å sjekke og justere klikkstopperne:

Drei håndhjulet så langt som mulig. Sett en trekantlinjal på bordet og sjekk om bladet er i 90° eller 45° til bordflaten. Hvis bladvinkelen er som vist i fig. A, må du dreie justeringsskruene med klokken. Er den som vist i fig. B, må du dreie justeringsskruene mot klokken for å justere klikkstopperne. Når du har justert klikkstopperne, må du sette bladet i 90° til bordflaten. Juster pilen slik at høyrekanten tilpasses til 0°-streken.

- **Fig.10:** 1. Pilpeker

Bryterfunksjon

For spakbryter

- **Fig.11:** 1. Bryter

⚠ **FORSIKTIG:**

- Før du setter støpselet inn i kontakten, må du alltid forvise deg om at verktøyet er slått av.

Hev bryterspaken for å starte maskinen. Senk spaken for å stoppe den.

Den hengslede bryterspakplaten kan låses ved å feste en hengelås gjennom haspen på venstre side.

- **Fig.12:** 1. Hengelås

For knappbryter

► Fig.13: 1. Bryter

FORSIKTIG:

- Før bruk må du forsikre deg om at sagen er slått på og av.

Trykk på "ON (I)"-knappen for å starte sagen. Stopp det ved å trykke på OFF (O)-knappen.

Tilleggsbord (R)

► Fig.14: 1. Spak

► Fig.15: 1. Tilleggsbord (R)

Sagen er utstyrt med et tilleggsbord (R) på høyre side av hovedbordet. For å bruke tilleggsbordet (R), må du heve begge spakene på høyre side foran, dra ut bordet (R) helt og senke spakene for å sikre det.

Når du bruker tilleggsbordet (R), må du plassere skalaplaten på bordet etter at du har løsnet skruen med en skrutrekker slik at den går jevnt med skalaplaten på hovedbordet.

► Fig.16: 1. Skalaplate 2. Skru

Tilleggsbord (bak) (valgfritt tilbehør for land utenfor Europa)

► Fig.17: 1. Tilleggsbord (bak) 2. Skru

Når du skal bruke tilleggsbordet (bak), løsner du skruene på venstre og høyre side under bordet og trekker det ut bakover til ønsket lengde. Trekk deretter til skruene godt.

MERK:

- Når du bruker tilleggsbordet (bak) mens parallellanlegget er i bruk, må du dra ut tilleggsbordet (bak) mer enn 50 mm slik at det ikke slår mot toppen av parallellanlegget.

Tilleggsbord (L) (valgfritt tilbehør)

► Fig.18: 1. Skru 2. Tilleggsbord (L)

Tilleggsbordet (L) (valgfritt tilbehør) kan monteres på venstre side av bordet for å få mer plass.

MONTERING

FORSIKTIG:

- Forviss deg alltid om at maskinen er slått av og støpselet trukket ut av kontakten før du utfører noe arbeid på maskinen.

Når sagen sendes fra fabrikk, er ikke sagbladet og bladvernet montert. Sett sammen på følgende måte:

Montere eller demontere sagblad

FORSIKTIG:

- Forviss deg alltid om at maskinen er slått av og støpselet trukket ut av kontakten før du monterer eller demonterer bladet.
- Bruk bare pipenøkkelen fra Makita til å montere eller demontere bladet. Gjør du ikke det, kan det føre til at sekskantskruen strammes for mye eller for lite. Dette kan føre til skader.
- Bruk følgende sagblad. Ikke bruk sagblader som ikke samsvarer med karakteristikkene som er spesifisert i denne instruksjonsboken.

For modell	Maks. dia.	Min. dia.	Bladykkelse	Snitt
2704	260 mm	230 mm	1,8 mm eller mindre	2 mm eller mer

FORSIKTIG:

- Sjekk spindelhulldiameteren for bladet før du monterer det. Bruk alltid riktig ring for spindelhulldiameteren på bladet du vil bruke.

► Fig.19: 1. Offsetnøkkel 2. Sekskantmutter 3. Skrunøkkel

Demonter bordinnsatsen fra bordet. Hold den ytre flensen med offsetnøkkelen og løsne sekskantmutteren mot klokken med skrunøkkelen. Fjern den ytre flensen. Sett sammen den indre flensen, ringen, sagbladet, den ytre flensen og sekskantmutteren på spindelen, og forsikre deg om at sagbladtennene vender ned foran på bordet. Du må alltid montere sekskantmutteren med fordyppningssiden mot den ytre flensen.

► Fig.20: 1. Indre flens 2. Ring 3. Sagblad 4. Ytre flens 5. Sekskantmutter

For alle land utenfor Europa

FORSIKTIG:

- Sølvringen på 25,4 mm i utvendig diameter er fabrikkmontert på spindelen. Den sorte ringen med 25 mm utvendig diameter er inkludert som standardutstyr. Før du monterer bladet på spindelen, må du forvise deg om at riktig ring for spindelhullet i bladet du vil bruke er montert på spindelen.

For land i Europa

FORSIKTIG:

- Ringen med 30 mm i utvendig diameter er fabrikkmontert mellom indre og ytre flens.
- Hold flensoverflaten ren, ellers kan bladet glipe. Forsikre deg om at bladet er montert på en slik måte at tennene er tilpasset til skjæreretningen (dreieretningen).

For å sikre bladet på plass, må du holde den ytre flensen med offsetnøkkelen og stramme sekskantmutteren med klokken med skrunøkkelen. **PASS PÅ Å STRAMME SEKSKANTMUTTEREN FORSVARLIG.**

► Fig.21: 1. Offsetnøkkel 2. Skrunøkkel

⚠FORSIKTIG:

- Hold sekskantmutteren forsiktig med skrunøk-kelen. Hvis grepet glipper, kan skrunøkkelen gli av sekskantmutteren og hånden din kan komme bort i de skarpe kantene på bladet.

Montere bladvern

► **Fig.22:** 1. Bladvern 2. Kløyvekniv 3. Monteringsdel for bladvern (stag)

► **Fig.23:** 1. Bladvern 2. Kløyvekniv

⚠FORSIKTIG:

- Før du monterer bladvernet, må du justere skjæredybden til maksimal heving.

For bladvern i ikke-europeiske land

Ta av midtdekslet. Sett inn kløyvekniven i bladvernets monteringsdel (stag). Stram sekskantskruene (A) med skrunøkkelen.

For bladvern i europeiske land

► **Fig.24:** 1. Kløyvekniv 2. Bladvern 3. Spak

► **Fig.25:** 1. Bladvern 2. Kløyvekniv

Ta av midtdekslet. Sett inn kløyvekniven i bladvernets monteringsdel (stag). Stram sekskantskruene (A) med skrunøkkelen.

Sett bladvernet inn i sporet på kløyvekniven. Sikre bladvernet ved å dreie spaken på bladvernet.

For bladvern både i og utenfor Europa

Kløyveknivens monteringssted er fabrikkjustert, slik at bladet og kløyvekniven er i rett linje. Hvis de ikke er i rett linje, må du løsne sekskantskruene (B) og justere bladvernets monteringsdel (stag) slik at kløyvekniven rettes inn rett bak bladet. Stram sekskantskruene (B) for å feste staget.

► **Fig.26:** 1. Blad 2. Disse to klaringene skal være like. 3. Kløyvekniv 4. Sekskantskruer (B) 5. Sekskantskruer (A)

⚠FORSIKTIG:

- Hvis bladet og kløyvekniven ikke er tilpasset godt nok, kan det oppstå en farlig klemtilstand under drift. Pass på at de er rettet inn riktig. Du kan påføre deg alvorlige skader hvis du bruker sagen uten at kløyvekniven er godt nok tilpasset.
- Du må ALDRI foreta justeringer mens sagen går. Koble fra sagen før du foretar justeringer.
- Ikke fjern kløyvekniven.

Det må være en klaring på ca. 4-5 mm mellom kløyvekniven og bladetennene. Løsne sekskantskruene (A), juster kløyvekniven deretter, og stram sekskantskruene (A) godt. Fest bordinnsatsen på bordet, og kontrollér om bladvernet fungerer smidig før skjæring.

► **Fig.27:** 1. Kløyvekniv 2. Bladvern

Montere og justere parallellanlegg

► **Fig.28:** 1. Bøyle 2. Knott 3. Føringsskinne

1) Sett kroken på spissen av parallellanlegget inn i fjernstyreskinnen på bordet eller tilleggsbordet (R), og monter og skyv parallellanlegget forover slik at anleggsholderen kommer i kontakt med nærmeste styreskinne. For å skyve parallellanlegget sidelengs på styreskinnen, må du dreie knotten på anleggsholderen halve veien. Sikre parallellanlegget ved å dreie knotten på anleggsholderen helt rundt.

2) For å skyve parallellanlegget sidelengs på styreskinnen, må du sette knotten helt tilbake på anleggsholderen uten å dra i spaken på knotten.

3) For å demontere den, må du dra i spaken på knotten og dreie knotten helt forover mens du drar i spaken. Sjekk for å forsikre deg om at parallellanlegget er parallelt med bladet, og sikre anlegget 2 - 3 mm fra bladet. Hev bladet til maksimalt. Merk en av tennene med en fargestift. Mål avstanden (A) og (B) mellom parallellanlegget og bladet. Ta begge målene ved hjelp av tannen som er merket med fargestift. Disse to målene skal være identiske. Hvis parallellanlegget ikke er parallelt med bladet, fortsetter du på følgende måte:

► **Fig.29:** 1. Skala

► **Fig.30:** 1. Sekskantskruer

1. Plasser parallellanlegget i skyveposisjon.
2. Løsne de to sekskantskruene på parallellanlegget med sekskantnøkkelen.
3. Juster parallellanlegget til det er parallelt med bladet.
4. Drei knotten på parallellanlegget ned mot operatøren.
5. Stram de to sekskantskruene på parallellanlegget.

► **Fig.31**

⚠FORSIKTIG:

- Pass på at du justerer parallellanlegget slik at det er parallelt med bladet, ellers kan det oppstå en farlig tilbakeslagssituasjon.

Hvis parallellanlegget ikke kan festes ordentlig, må du justere det i henhold til nedenstående prosedyre.

- (1) Plasser parallellanlegget på bordet og drei knappen til den står i midtstilling (bevegelig posisjon). Stram skruen (A), til parallellanlegget ikke kan bevege seg. Løsne deretter skruen 1/4 til 1/2 omdreining.

► **Fig.32:** 1. Parallellanlegg 2. Frigjort posisjon 3. Bevegelig posisjon 4. Låst posisjon

► **Fig.33:** 1. Parallellanlegg 2. Bevegelig posisjon 3. Skrue (B) 4. Skrue (A)

- (2) Stram skruen (B) helt, og løsne den deretter ca. 2 hele omdreininger.
- (3) Lås fast parallellanlegget ved å dreie knappen på anleggsholderen så langt den går (låst posisjon).
- (4) Forviss deg om at parallellanlegget kan installeres og fjernes i den opprinnelige posisjonen (frigjort posisjon).
- (5) Forviss deg om at parallellanlegget kan beveges jevnt uten å hoppe når knappen står i midtstilling.

⚠️FORSIKTIG:

- Pass på å ikke stramme skruene mer enn det som er angitt i ovenstående anvisninger. Hvis du ikke følger anvisningene, kan de festede delene bli ødelagt.

Legg parallellanlegget i flukt mot siden på bladet. Sørg for at styrelinjen på anleggsholderen peker på 0-streken. Hvis styrelinjen ikke peker på 0-streken, må du løsne skruen på skalaplaten og justere platen.

► **Fig.34:** 1. Føringslinje 2. Skruer

Koble til støvsuger

Rengjøring kan utføres ved å koble sagen til Makita-støvsugeren eller -støvsamleren.

► **Fig.35**

BRUK

⚠️FORSIKTIG:

- Bruk alltid hjelpemidler som f.eks. støtstenger og -blokker hvis det er fare for at hendene eller fingrene dine kan komme nær sagbladet.
- Arbeidsemnet må alltid holdes fast til bordet og parallellanlegget eller gjæringsmåleren. Ikke bøy eller vri det mens du mater. Hvis arbeidsemnet er bøyd eller vridd, kan det oppstå farlige tilbakeslag.
- Du må ALDRI ta ut arbeidsemnet mens bladet roterer. Hvis du må ta ut arbeidsemnet før kuttet er fullført, må du først slå av sagen mens du holder arbeidsemnet godt fast. Vent til bladet har stoppet helt før du tar ut arbeidsemnet. Hvis du ikke retter deg etter dette, kan det oppstå farlige tilbakeslag.
- Du må ALDRI fjerne avskjær mens bladet går.
- Plasser ALDRI hendene eller fingrene dine i sagbladbanen. Vær spesielt forsiktig ved skråskjæring.
- Sikre alltid parallellanlegget godt, ellers kan det oppstå farlige tilbakeslag.
- Bruk alltid „arbeidsassistenter“, som skyvepinner og skyveblokker, når du skjærer små eller smale arbeidsstykker.

Hjelpemidler

Støtstenger, støtblokker eller hjelpeanlegg er forskjellige hjelpemidler. Bruk disse til å lage sikre kutt slik at operatøren ikke må komme i berøring med bladet med noen del av kroppen.

Støtblokk

► **Fig.36:** 1. Vendt mot/kant parallell 2. Håndtak 3. Treskrue 4. Lim sammen

Bruk en 19 mm finerbit.

Hendelen må være midt på finerbiten. Fest den med lim og treskrue som vist. Det må alltid limes en liten trebit på 9,5 mm x 8 mm x 50 mm til fineren for å forhindre at bladet sløves hvis operatøren skjærer inn i støtblokken ved en feiltakelse. (Bruk aldri spiker i støtblokken.)

Hjelpeanlegg

► **Fig.37:** 1. Vendt mot/kant parallell

Lag et hjelpeanlegg av 9,5 mm og 19 mm finerbiter.

Gjæringskloss (parallellanlegg)

► **Fig.38:** 1. Nr. 10 treskrue (lange nok til å trenge halvveis inn i materialet)

En gjæringskloss må brukes ved operasjoner der bladet kommer nær parallellanlegget. Gjæringsklossen for parallellanlegget må være av samme størrelse som anlegget. Pass på at bunnen av klossen ligger inntil bordflaten.

Kløyving

⚠️FORSIKTIG:

- Når du kløyver, må du demontere gjæringsmåleren fra bordet.
- Når du sager lange eller store arbeidsemner, må du alltid støtte dem godt bak bordet. Et langt arbeidsemne må IKKE bevege seg eller flytte seg på bordet. Dette vil gjøre at bladet setter seg fast og øke sjansen for tilbakeslag og personskader. Støtten må være i samme høyde som bordet.

1. Juster skjæredybden litt høyere enn tykkelsen på arbeidsemnet.

► **Fig.39**

2. Plasser parallellanlegget på ønsket bredde og fest det på plass ved å dreie håndtaket. Før du kløyver, må du passe på at bakenden på parallellanlegget er festet godt. Er den ikke sikret godt nok, må du følge fremgangsmåten i avsnittet "Montere og justere parallellanlegg".

3. Snu sagen og mat arbeidsemnet forsiktig inn til bladet sammen med parallellanlegget.

- (1) Når bredden er 150 mm eller mer, må du bruke den høyre hånden forsiktig for å mate arbeidsemnet. Bruk den venstre hånden til å holde arbeidsemnet i posisjon mot parallellanlegget.

► **Fig.40**

- (2) Når bredden er 65 mm - 150 mm bred, må du bruke støtstangen til å mate arbeidsemnet.

► **Fig.41:** 1. Støtstang

- (3) Når bredden på kløyven er smalere enn 65 mm, kan ikke støtstangen brukes fordi at den vil slå bort i bladvernet. Bruk hjelpeanlegget og støtblokken. Sett hjelpeanlegget på parallellanlegget med to "C"-klemmer.

► **Fig.42:** 1. Hjelpeanlegg

Mat arbeidsemnet for hånd til enden er ca. 25 mm fra forkanten på bordet. Fortsett å mate ved hjelp av støtblokken på toppen av hjelpeanlegget til kuttet er fullført.

► **Fig.43:** 1. Støtblokk 2. Hjelpeanlegg

Kapping

⚠️ **FORSIKTIG:**

- Når du kapper, må du fjerne parallellanlegget fra bordet.
- Når du sager lange eller store arbeidsemner, må du alltid støtte dem godt mot sidene av bordet. Støtten må være i samme høyde som bordet.
- Hendene må alltid holdes borte fra sagbladets bane.

Gjæringsmåler

- **Fig.44:** 1. Kapping 2. Gjæring 3. Skrårkjæring
4. Lamellgjæring (vinkler)

Bruk gjæringsmåleren for de 4 sagemetodene vises i figuren.

⚠️ **FORSIKTIG:**

- Fest knotten forsiktig på gjæringsmåleren.
- Unngå at arbeidsemnet og måleren kryper ved å passe på at de er godt festet, spesielt når du sager i vinkel.
- Du må ALDRI holde i eller gripe den avskårne delen av arbeidsstykket.
- Du må alltid justere avstanden mellom enden av gjæringsmåleren og sagbladet slik at den ikke er større enn 15 mm.

Gjæringsmåler klikkstopp

- **Fig.45:** 1. Knott 2. Liten plate 3. Skruer for klikkstopp

Gjæringsmåleren er utstyrt med klikkstopper ved gjæringsvinklene 90° og 45° til høyre og venstre for hurtiginstilling av gjæringsvinklene.

Still inn gjæringsvinkelen ved å løsne knotten på gjæringsmåleren.

Hev den lille platen på gjæringsmåleren for å kunne stille inn vinkelen fritt. Drei gjæringsmåleren til ønsket gjæringsvinkel. Sett den lille platen på gjæringsmåleren tilbake til utgangsposisjon, og stram knotten godt med klokken.

Bruke gjæringsmåler

- **Fig.46:** 1. Spor 2. Gjæringsmåler 3. Knott

Skyv gjæringsmåleren inn i de brede sporene i bordet. Løsne knotten på måleren og sett den til ønsket vinkel (0° til 60°). Legg materialet jevnt inntil anlegget og mat forsiktig inn mot bladet.

Hjelpegjæringskloss (gjæringsmåler)

- **Fig.47**

For å unngå at en lang plate begynner å vibrere, må du utstyre gjæringsmåleren med en hjelpeanleggsplate. Fest det med skruer/muttere etter at du har boret hull, men festemidlene må ikke stikke ut fra bordet.

Bærbart verktøy

- **Fig.48**

Forsikre deg om at sagen er koblet fra. Bær sagen i sagdelen som er vist i figuren.

⚠️ **FORSIKTIG:**

- Du må alltid sikre alle bevegelige deler før du bærer sagen.
- Forsikre deg alltid om at bladvernet er montert på plass før du bærer sagen.

VEDLIKEHOLD

⚠️ **FORSIKTIG:**

- Forviss deg alltid om at maskinen er slått av og støpelet trukket ut av kontakten før du foretar inspeksjon eller vedlikehold.
- Aldri bruk gasolin, bensin, tynner alkohol eller lignende. Det kan føre til misfarging, deformering eller sprekkdannelse.

Rengjøring

Fjern sagmugg og spon regelmessig. Rengjør bladvernet og bevegelige deler inne i bordsagen forsiktig.

Smøring

For å holde sagen i tipp topp stand og sikre lengst mulig levetid, må du smøre bevegelige og roterende deler med olje eller fett regelmessig.

Smørepunkter:

- Gjenget spindel for heving av bladet
- Hengsler for rotering av rammen
- Heveføringsspindler på motoren
- Gir for å heve bladet
- Styreskinner for parallellanlegget
- Skaft på tilleggsbodets (R) sperrespaker
- Skyvedel på tilleggsbordet (R)

Skifte kullbørster

- **Fig.49:** 1. Utskiftingsmerke

Fjern og kontroller kullbørstene med jevne mellomrom. Skift dem når de er slitt ned til utskiftingsmerket. Hold kullbørstene rene og fri til å bevege seg i holderne. Begge kullbørstene må skiftes samtidig. Bruk bare identiske kullbørster.

Bruk en skrutekkey for å demontere børsteholderhettene. For å bytte kullbørstene, må du demontere bladvernet og badet og løsne låsespaken, vippe saghodet og sikre det i 45° skråvinkel. Legg sagen forsiktig bakover. Løsne børsteholderhettene. Ta ut de slitte kullbørstene, sett i nye og fest børsteholderhettene.

- **Fig.50:** 1. Børsteholderhette 2. Skrutekkey

For å opprettholde produktets SIKKERHET og PÅLITELIGHET, må reparasjoner, vedlikehold og justeringer utføres av Makitas autoriserte servicesentre, og det må alltid brukes reservedeler fra Makita.

TILBEHØR

⚠️ FORSIKTIG:

- Det anbefales at du bruker dette tilbehøret eller verktøyet sammen med den Makita-maskinen som er spesifisert i denne håndboken. Bruk av annet tilbehør eller verktøy kan forårsake helseskader. Tilbehør og verktøy må kun brukes til det formålet det er beregnet på.

Ta kontakt med ditt lokale Makita-servicesenter hvis du trenger mer informasjon om dette tilbehøret.

Bordstativsett (tilbehør)

Se i instruksjonsboken for bordsagstativet som leveres sammen med bordsagen som valgfritt tilbehør.

- Sagblad med stål- og karbidspisser
- Tilleggsbord (L)
- Tilleggsbord (bak)
- Parallellanlegg
- Gjæringsmåler
- Offsetnøkkel 13-22
- Skrunøkkel 19
- Sekskantnøkkel 5
- Utløp (for tilkobling til støvsamler)
- Hjelpeplate
- Stativsett
- Skyveføring






TEKNISET TIEDOT

Malli	2704	
	(eurooppalaisille maille)	(Euroopan ulkopuolella oleville maille)
Akselin aukko	30 mm	25 mm ja 25,4 mm
Terän halkaisija	260 mm	255 mm / 260 mm
Maks. Leikkauskaasiteetit	90°	93 mm
	45°	64 mm
Kuormittamaton nopeus (min ⁻¹)	4 800	
Pöydän koko (P x L)	(665 mm - 1 045 mm) x (753 mm - 1 066 mm) ala-pöydällä (R) ja (taka)	567 mm x (753 mm - 1 066 mm) ala-pöydällä (R)
Mitat (P x L x K) ilman pöydän (-tien) pidennystä	715 mm x 753 mm x 344 mm ala-pöydällä (R) ja (taka)	665 mm x 753 mm x 344 mm ala-pöydällä (R)
Nettopaino	34,9 kg	29,5 kg
Turvallisuusluokka	□, II	

- Jatkuvan tutkimus- ja kehitysohjelman vuoksi pidätämme oikeuden muuttaa tässä mainittuja teknisiä ominaisuuksia ilman ennakkoilmoitusta.
- Tekniset ominaisuudet saattavat vaihdella eri maissa.
- Paino EPTA-menetelmän 01/2003 mukaan

Symbolit

Laitteessa on käytetty seuraavia symboleja. Opettele näiden merkitys, ennen kuin käytät konetta.

	Lue käyttöohjeet.
	KAKSINKERTAINEN ERISTYS
	Käytä suojalaseja.
	Älä laita käsiä tai sormia terän lähelle.
	Koskee vain EU-maita Älä hävitä sähkötarvikkeita tavallisen kotitalousjätteen mukana. Vanhoja sähkö- ja elektroniikkalaitteita koskevan EU-direktiivin 2002/96/ETY ja sen maakohtaisten sovellusten mukaisesti käytetyt sähkötarvikkeet on toimitettava ongelmajätteen keräyspisteeseen ja ohjattava ympäristöystävälliseen kierrätykseen.

Käyttötarkoitus

Työkalu on tarkoitettu puun leikkaukseen.

Virransyöttö

Laitteen saa kytkeä ainoastaan virtalähteeseen, jonka jännite on sama kuin tyyppikilvessä ilmoitettu. Laitetta voidaan käyttää ainoastaan yksivaiheisella vaihtovirralla. Laitte on kaksinkertaisesti suojaeristetty eurooppalaisten standardien mukaisesti, ja se voidaan tästä syystä liittää maadoittamattomaan pistorasiaan.

Melutaso

Tyypillinen A-painotettu melutaso määräytyy EN61029-standardin mukaan:

Äänenpainetaso (L_{PA}): 94 dB (A)

Äänitehotaso (L_{WA}): 107 dB (A)

Virhemarginaali (K): 3 dB (A)

Käytä kuulosuojaimia

Koskee vain Euroopan maita

VAKUUTUS EC-VASTAAVUUDESTA

Vastuullinen valmistaja Makita Corporation ilmoittaa vastaavansa siitä, että seuraava(t) Makitan valmistama(t) kone(et):

Koneen tunnistetiedot:

Pöytäpyörösaha

Mallinro/tyyppi: 2704

ovat sarjavalmistettuja ja

Täyttävät seuraavien eurooppalaisten direktiivien vaatimukset:

2006/42/EC

Ja että ne on valmistettu seuraavien standardien tai standardoitujen asiakirjojen mukaisesti:

EN61029

Teknisen dokumentaation ylläpidosta vastaa valtuutettu Euroopan-edustajamme, jonka yhteystiedot ovat:

Makita International Europe Ltd.

Michigan Drive, Tongwell,

Milton Keynes, Bucks MK15 8JD, England



Tomoyasu Kato
Johtaja
Makita Corporation
3-11-8, Sumiyoshi-cho,
Anjo, Aichi, 446-8502, JAPAN

Sähkötyökalujen käyttöä koskevat varoitukset

VAROITUS Lue kaikki turvallisuusvaroitukset ja käyttöohjeet. Varoitusten ja ohjeiden noudattamatta jättäminen voi johtaa sähköiskuun, tulipaloon ja/tai vakavaan vammautumiseen.

Säilytä varoitukset ja ohjeet tulevaa käyttöä varten.

LISÄÄ TURVAOHJEITA KONEELLE

SÄILYTÄ NÄMÄ OHJEET.

- Pidä silmäsuojuksia.
- Älä käytä työkalua palavien nesteiden tai kaasujen läheisyydessä.
- ÄLÄ KOSKAAN** käytä työkalussa hiovaa katkaisulaikkaa.
- Tarkasta ennen käyttöä, ettei terässä ole halkeamia tai vaurioita. Vaihda halkeillut tai muuten vahingoittunut terä heti uuteen.
- Käytä vain valmistajan suosittelemaa EN847-1 mukaisia sahanteriä. Huomaa, että jakoveitsi ei saa olla paksumpi kuin sahanterän leikkausjälki eikä ohuempi kuin terän runko.
- Käytä aina tässä ohjekirjassa suositeltuja varusteita. Väärien varusteiden, kuten hiomakatkaisulaikkojen käyttö voi aiheuttaa loukkaantumisen.
- Valitse sahattavalle materiaalille sopiva sahanterä.
- Älä käytä pikateräksestä valmistettuja sahanteriä.
- Pidä terä aina terävänä ja puhtaana rajoittaaksesi melutasoa.
- Käytä oikein teroitettuja sahanteriä. Huomioi sahanterään merkitty enimmäisnopeus.
- Puhdista kara, laipat (erityisesti asennuspinta) ja kuusiomutteri, ennen kuin asennat terän. Huono asennus saattaa aiheuttaa värinää/huojuntaa tai terän luistamisen.
- Käytä sahanterän suojusta ja halkaisuveistä kaikkiin toimintoihin, joihin ne soveltuvat, kuten kaikki läpisahaukset. Asenna terän suojus noudattaen tässä käyttöohjeessa annettuja ohjeita. Läpisahaukset ovat toimenpiteitä, joissa terä halkaisee työkappaleen täysin kuten repäisy tai katkaisu. **ÄLÄ KOSKAAN** käytä työkalua, jossa on viallinen terän suojus tai kiinnitys suojusta narulla tai jousella jne. Terän suojuksen epänormaali toiminta tulee korjata välittömästi.
- Kiinnitä suojus ja halkaisuveitsi välittömästi uudelleen terään sen jälkeen, kun olet suorittanut toiminnon, joka vaatii suojuksen irrottamisen.
- Älä sahaa metalliesineitä, kuten nauvoja tai ruuveja. Tarkasta työkappale ja poista kaikki naulat, ruuvit ja muut vierasesineet ennen työstöä.
- Poista vääntimet, leikatut kappaleet jne. pöydältä, ennen kuin työkalu kytketään päälle.
- ÄLÄ KOSKAAN** pidä käsiäsi käytön aikana.
- Pidä kädet poissa sahanterän linjalta.
- ÄLÄ KOSKAAN** seiso tai anna kenenkään seisoa sahanterän liikeradalla.
- Varmista ennen kytkimen käynnistämistä, että terä ei kosketa jakoveistä eikä työkappaleelta.
- Anna koneen käydä hetki ennen sen käyttämistä työkappaleeseen. Tarkkaile konetta värinän ja huojunnan varalta, mikä voisi olla merkki huonosti asennetusta tai tasapainotetusta terästä.
- Konetta ei saa käyttää rakojen, huulosten eikä urien tekemiseen.
- Vaihda aluslevy kun se on kulunut.
- ÄLÄ KOSKAAN** tee säätöjä, kun työkalu on toiminnassa. Kytke työkalu irti sähköpistokkeesta ennen säätöjen tekemistä.
- Käytä työntötkikka tarvittaessa. Työntötkikkuja tulee käyttää irrottamaan ohuita työkappaleita, jotta voi pitää kädet ja sormet poissa terän ulottuvilta.
- Varastoi työntöpuikko aina kun sitä ei käytetä.
- Kiinnitä erityistä huomiota TAKAPOTKUN riskin vähentämistä koskeviin ohjeisiin. TAKAPOTKU on puristuksiin jääneen, vääntyneen tai vinoon joutuneen terän aiheuttama äkillinen reaktio. TAKAPOTKU aiheuttaa työkappaleen sinkoutumisen koneen takaa kohti käyttäjää. TAKAPOTKU VOI AIHEUTTAA VAKAVAN LOUKKAANTUMISEN. Vältä TAKAPOTKUJA pitämällä terät terävänä, pitämällä halkaisuohtajaimen samansuuntaisena terän kanssa, pitämällä halkaisuterän ja teräsuojukset paikoillaan ja toimintakunnossa, olemalla vapauttamatta työkappaleita ennen kuin se on työnnetty kokonaan terän ohi ja olemalla halkaisematta työkappaleita, joka on kiero tai vääntynyt tai jolla ei ole suoraa reunaa kuljetettavaksi ohjaimen reunaa myöten.
- Älä suorita mitään toimintoa vapaalla kädellä. Vapaan käden toiminta tarkoittaa, että käyttäjä käsiäsi tukemaan tai ohjaamaan työkappaleita leikkausohjaimen tai jiiriohjaimen sijasta.
- ÄLÄ KOSKAAN** kurkota sahanterän ympärillä tai yli. **ÄLÄ KOSKAAN** kurkota työkappaleeseen, ennen kuin terä on täysin pysähtynyt.
- Vältä äkillistä, nopeaa syöttämistä. Syötä mahdollisimman hitaasti sahatessasi kovia työkappaleita. Älä väännä äläkä kierrä työkappaleita syöttämisen yhteydessä. Jos terä juuttuu kiinni työkappaleeseen, sammuta kone välittömästi. Irrota kone pistorasiasta. Poista sitten tukos.
- ÄLÄ KOSKAAN** poista leikattuja osia terän lähellä tai kosketa terän suojusta sen ollessa toiminnassa.
- Napauta irralliset oksankohdat työkappaleesta ENNEN sahausaloittamista.

32. Älä vahingoita johtoa. Älä koskaan riuhtaise johtoa irti koskettimesta. Älä anna johdon joutua kosketukseen kuumuuden, öljyn, veden ja terävien reunojen kanssa.
33. Työskentelyssä syntyvä pöly voi sisältää syöpää, syntymävaurioita ja muita lisääntymishäiriöitä aiheuttavia kemikaaleja. Esimerkkejä tällaisista kemikaaleista ovat:
- lyijypohjaisilla maaleilla käsiteltyjen materiaalien sisältämä lyijy
 - kyllästetyn puun sisältämä arseeni ja kromi.
 - Altistumisen aiheuttama riski riippuu tällaisen työn toistuvuudesta. Vähennä altistumista näille kemikaaleille seuraavasti: työskentele hyvin tuuletetussa tilassa ja käytä hyväksytyjä suojavarusteita, kuten erityisesti mikroskooppisten hiukkasten suodattamiseen suunniteltuja hengityssuojaimia.
34. Kytke kone pölynkeräimeen työskentelyn ajaksi.
35. Suojus voidaan nostaa pois työkappaleen asetuksen ajaksi ja helpottamaan puhdistusta. Varmista aina ennen työkalun kytkemistä, että suojuksen huppu on alhaalla ja sileänä pöydän pintaa vasten.

SÄILYTÄ NÄMÄ OHJEET.

ASENNUS

Pöytäpyörösahan sijoitus

- **Kuva1:** 1. Aukon halkaisija 8 mm
- **Kuva2:** 1. 6 mm:nen Std. tiivistysrenkas 2. Nro. 10 puuruuvi 40 mm:sellä min. pituudella
- **Kuva3:** 1. 6 mm:nen Std. tiivistysrenkas 2. 6 mm Asennuspultti & Mutteri lujasti kiristettyinä

Sijoita pöytäpyörösaha hyvin valaistulle ja tasaiselle alueelle, missä voit ylläpitää hyvän jalansijan ja tasapainon. Se tulisi asentaa sellaiselle alueelle, jossa on tarpeeksi tilaa työkappaleidesi koon käsittelylle. Pöytäpyörösaha tulisi kiinnittää neljällä ruuvilla tai mutterilla työpenkkiin tai pöytäpyörösahan jalustaan pöytäpyörösahan pohjassa olevia reikiä soveltaen. Kun kiinnität pöytäpyörösahaa työpenkkiin varmista, että työpöydässä on samankokoinen aukko, kuin pöytäpyörösahan pohjassa, jotta sahanpuru voisi helposti tippua sen läpi.

Jos toiminnan aikana pöytäpyörösahalla on taipumusta keikahtaa, lipsahtaa tai siirtyä, työpenkki tai pöytäpyörösahan jalusta tulisi varmistaa lattiaan.

Lisävarusteiden varastoiminen

- **Kuva4:** 1. Jiiristeikko
 - **Kuva5:** 1. Halkaisuohjain 2. Työntöpuikko
- Kulmaohjainta, terää ja kiintoavaimia voidaan säilyttää jalustan vasemmalta puolella. Halkaisuohjainta voidaan säilyttää jalustan oikealla puolella.

TOIMINTOJEN KUVAUS

▲HUOMIO:

- Varmista aina ennen koneen säätöjen ja toiminnallisten tarkistusten tekemistä, että kone on sammutettu ja irrotettu pistorasiasta.

Sahaussyvyyden säätäminen

- **Kuva6:** 1. Kahva

Leikkaussyvyyttä voidaan säätää kahvaa kääntämällä. Kierrä kahvaa myötäpäivään terän nostamiseen tai vastapäivään sen alentamiseen.

HUOMAA:

- Sovella pintapuolista syvyydenasetusta ohuen materiaalin leikkaamiseksi saadaksesi puhtaampi viilto.

Kallistuskulman säätäminen

- **Kuva7:** 1. Lukitusvipu 2. Nuoliosoitin 3. Käsilaikka

Löysennä lukkovipua vastapäivään ja kierrä käsipyörää, kunnes haluttu kulma (0° - 45°) on saavutettu. Viisteityskulma on merkitty nuoliosoitimella. Halutun kulman saavuttamisen jälkeen, kiristä lukkovipua myötäpäivään varmistaaksesi säätö.

▲HUOMIO:

- Viisteityskulman säätämisen jälkeen, kiristä lukkovipua lujasti.

Sallittujen pisteiden säätö

- **Kuva8:** 1. 90°Säätöruuvi 2. 45°Säätöruuvi

- **Kuva9**

Työkalu on varustettu sallituilla pisteillä 90° and 45° :ssa pöydän pintaan nähden. Tarkistaaksesi ja asentaaksesi sallitut pisteet, tee seuraavasti:

Siirrä käsipyörää niin pitkälle, kuin mahdollista kiertämällä sitä. Aseta kolmikulma pöydälle ja tarkista, onko terä 90° or 45° :ssa pöydän pintaan nähden. Jos terä on kuvan A osoittamassa kulmassa, kierrä säätöruuvia myötäpäivään; jos se on kuvan B osoittamassa kulmassa, kierrä ruuveja vastapäivään sallittujen pisteiden säätämiseksi.

Sallittujen pisteiden säätämisen jälkeen, aseta terä 90° pöydän pintaan nähden. Säädä sitten nuoliosotin siten, että sen oikea reuna on rinnakkain 0° asteikon kanssa.

- **Kuva10:** 1. Nuoliosoitin

Kytkimen käyttäminen

Vivuntyyppiselle kytkimelle

- **Kuva11:** 1. Kytkin

▲HUOMIO:

- Tarkasta, että työkalun virtakytkin ei ole päällä, ennen kuin kytket työkalun verkkovirtaan.

Käynnistä työkalu nostamalla kytkinvipua. Pysäytä se alentamalla kytkinvipua.

Saranoitu kytkinvivun levy voidaan lukita ohittamalla riippulukko salpan läpi vasemmalta puolelta.

- **Kuva12:** 1. Riippulukko

Näppäintyyppiselle kytkimelle

► **Kuva13:** 1. Kytkin

⚠HUOMIO:

- Varmista ennen työskentelyä, että kone käynnistyy ja sammuu.

Laitteen käynnistämiseksi paina ON (I) nappia. Laitteen pysäyttämiseksi paina OFF (O) nappia.

Ala-pöytä (R)

► **Kuva14:** 1. Vipu

► **Kuva15:** 1. Ala-pöytä (R)

Tämä työkalu on varustettu ala-pöydällä pääpöydän oikealla puolella. Ala-pöydän (R) käyttöön, nosta molemmat etuoikealla sivulla olevat vivut, vedä pöytä (R) täysin ulos ja alenna sitten vivut sen varmistamiseksi.

Kun käytät ala-pöytää (R), sijoita asteikkolevy ala-pöytään sen jälkeen, kuin löysensit siinä olevan ruuviruuvimeisselillä siten, että se on peräkkäin pääpöydällä olevan asteikkolevyn kanssa.

► **Kuva16:** 1. Asteikkolevy 2. Ruuvi

Ala-pöytä (taka) (vaihtoehtoinen lisävaruste Euroopan ulkopuolella oleville maille)

► **Kuva17:** 1. Ala-pöytä (taka) 2. Ruuvi

Voit ottaa ala-pöydän (taka) käyttöön löysäämällä pöydän alapuolen ruuvit vasemmalta ja oikealta ja vetämällä pöydän haluamaasi pituuteen. Kiristä ruuvi, kun pöytä on haluamassasi pituudessa.

HUOMAA:

- Kun käytät ala-pöytää (taka) repeämäaidan käytön aikana, vedä ala-pöytää (taka) enemmän, kuin 50 mm ulos siten, ettei se iskeydy repeämäaidan ylimpään kärkeen.

Vara-aita (L) (vapaaehtoinen lisävaruste)

► **Kuva18:** 1. Ruuvi 2. Ala-pöytä (L)

Ala-pöytä (L) (vaihtoehtoinen lisävaruste) voidaan asentaa pöydän vasemmalle puolelle saadaksemme avaramman tilan.

KOKOONPANO

⚠HUOMIO:

- Varmista aina ennen koneelle tehtäviä toimenpiteitä, että kone on sammutettu ja irrotettu pistorasiasta.

Työkalu kuljetetaan tehtaalta siten, että sahanterä ja teräsuoja eivät ole asennuskunnossa. Kokoa seuraavalla tavalla:

Sahanterän kiinnittäminen ja irrottaminen

⚠HUOMIO:

- Varmista aina ennen terän kiinnittämistä ja irrottamista, että kone on sammutettu ja irrotettu pistorasiasta.
- Käytä vain varusteisiin kuuluvaa Makitan hylsyavainta terän kiinnittämiseen ja irrottamiseen. Muutoin kuusiopultti voi tulla liian kireälle tai jäädä löysälle. Tämä voi johtaa loukkaantumiseen.
- Käytä seuraavanlaista sahanterää. Älä käytä sellaista sahanterää, joka ei mukaudu ohjeissa määrättyihin ominaisuuksiin.

Mallille	Maks. halk.	Min. halk.	Terän paksuus	Viitto
2704	260 mm	230 mm	1,8 mm tai vähemmän	2 mm tai enemmän

⚠HUOMIO:

- Tarkista terän tangonreiän läpimitta ennen terän asentamista. Käytä aina oikeaa rengasta sen terän tangonreikään, jota aiot käyttää.

► **Kuva19:** 1. Offset-kiintoavain 2. Kuusiomutteri 3. Kiintoavain

Poista pöydälle asennettu pöytä. Pidä ulkolaippaa offset-ruuvimeisseliä käyttäen ja löysennä kuusiomutteri vastapäivään ruuvimeisselillä. Poista sitten ulkolaippa. Kokoa sisälaippa, rengas, sahanterä, ulkolaippa ja kuusiomutteri tankoon varmistuksen siten, että terän hampaat kohdistuvat pöydän edessä alaspäin. Asenna aina kuusiomutteri sen syvennettyyn sivuun siten, että se kohdistuu ulkolaippaan päin.

► **Kuva20:** 1. Sisälaippa 2. Rengas 3. Sahanterä 4. Ulkolaippa 5. Kuusiomutteri

Kaikille Euroopan ulkopuolella oleville maille

⚠HUOMIO:

- Tehtaalla karalle on asennettu ulkohalkaisijaltaan 25,4 mm:n hopeinen rengas. Ulkohalkaisijaltaan 25 mm:n musta rengas kuuluu vakiovarusteisiin. Varmista aina ennen terän asettamista karalle, että karalla on asennettu käytettävän terän kara-aukolle sopiva rengas.

Eurooppalaisille maille

⚠HUOMIO:

- Sisä- ja ulkolaippojen väliin on asennettu tehtaalla ulkohalkaisijaltaan 30 mm:n rengas.
- Pidä laipan pinta puhtaana pölystä tai muista liimautuvista aineista; se saattaa aiheuttaa terän huonotumisen. Varmista, että terä on asennettu siten, että sen hampaat on leikkaussuuntaan (kääntyvän) oikeaistu.

Varmistaaksesi terä paikalleen, pidä ulkolaippaa offset-ruuvimeisselillä, ja kiristä sitten kuusiomutteri myötäpäivään ruuviavaimella. MUUSTA KIRISTÄÄ KUUSIOMUTTERI TIUKASTI.

► **Kuva21:** 1. Offset-kiintoavain 2. Kiintoavain

▲HUOMIO:

- Muista pitää kuusiomutteria tiukasti ruuvimeiseliillä. Jos otteesi luiskahtaa, ruuviavain saattaa tulla kuusiomutterista pois, ja kätesi saattaa iskeytyä terän terävään reunaan.

Teränsuojuksen asennus

- **Kuva22:** 1. Teränsuojus 2. Jakoveitsi
3. Teränsuojuksen asennusosa (pysyvä)
- **Kuva23:** 1. Teränsuojus 2. Jakoveitsi

▲HUOMIO:

- Ennen teränsuojuksen asentamista, säädä leikkaussyvyys enimmäiskorkeuteensa.

Ei-Eurooppalaisille teränsuojustyypeille

Irrota keskimäinen kotelo. Aseta viiltoterä teränsuojuksen alustusosaan (tuki). Kiristä kuusiomutterit (A) annetulla ruuviavaimella.

Ei-Eurooppalaisille teränsuojustyypeille

- **Kuva24:** 1. Jakoveitsi 2. Teränsuojus 3. Vipu
- **Kuva25:** 1. Teränsuojus 2. Jakoveitsi

Irrota keskimäinen kotelo. Aseta viiltoterä teränsuojuksen alustusosaan (tuki). Kiristä kuusiomutterit (A) annetulla ruuviavaimella.

Aseta teränsuojus viiltoterässä olevaan uraan. Kiinnitä teränsuojus kääntämällä teränsuojuksessa olevaa vipua.

Sekä Eurooppalaisille että ei-Eurooppalaisille teränsuojustyypeille

Viiltoterän asennuspaikka on tehtäessä asennettu siten, että terä ja viiltoterä ovat suorassa linjassa. Jos ne eivät kuitenkaan ole suorassa linjassa, löysennä kuusiopultit (B) ja säädä teränsuojuksen alustusosa (tuki) siten, että viiltoterä on kohdistettu suoraan terän taakse. Kiristä sitten kuusiomutterit (B) tuen varmistamiseksi.

- **Kuva26:** 1. Terä 2. Näiden kahden vapaan välin tulee olla samat. 3. Jakoveitsi
4. Kuusiopultti (B) 5. Kuusiopultti (A)

▲HUOMIO:

- Jos terää ja viiltoterää ei ole asianmukaisesti oikaistu, toiminnan aikana saattaa ilmetä vaarallinen puristustila. Varmista, että ne ovat asianmukaisesti oikaistu. Voit kärsiä vakavia henkilövammoja, jos käytät työkalua ilman asianmukaisesti oikaistua viiltoterää.
- ÄLÄ KOSKAAN tee minkäänlaisia säätöjä, kun työkalu on käynnissä. Kytke työkalu irti ennen kuin teet säätöjä.
- Älä irrota halkaisuveistä.

Halkaisuveitsen ja terän hampaan välissä on oltava 4–5 mm:n rako. Löysää kuusiomutterit (A), säädä halkaisuveitsi oikeaan asentoon ja kiristä kuusiomutterit (A) tiukkaan. Kiinnitä teräaukon kehys pöytään ja varmista sitten teräsuojuksen toiminta, ennen kuin aloitat sahaamisen.

- **Kuva27:** 1. Jakoveitsi 2. Teränsuojus

Halkaisuterän kiinnittäminen ja säätäminen

- **Kuva28:** 1. Koukku 2. Nuppi 3. Ohjauskisko

1) Istuta koukku repeämäaidan kärkeen etäämpänä pöydällä tai ala-pöydällä olevaan ohjauskiskoon (R) ja asenna ja työnnä repeämäaitaa eteenpäin siten, että aidan kannatin kytkeytyy lähimmälle ohjauskiskolle. Repeämäaidan sivuttain työntämiseksi ohjauskiskolle, käännä nuppia aidan kannattimen puoliväliin asti. Repeämäaidan varmistamiseksi, käännä nuppi täysin aidan kannattimen päälle.

2) Repeämäaidan sivuttain työntämiseksi ohjauskiskoille, palauta aidan kannattimessa oleva nuppi täysin ilman, että vetäisit nupissa olevaa vipua.

3) Poistaaksesi se, vedä nupissa olevaa vipua ja käännä nuppia täysin eteenpäin samalla vipua vetäisten.

Ollaksesi varma, että repeämäaita on terän kanssa rinnakkain, kiinnitä repeämäaita 2 - 3 mm terästä. Nosta terä ylös enimmäiskorkeuteen. Merkitse yksi terän hammas liidulla. Mittaa etäisyys (A) ja (B) repeämäaidan ja terän välillä. Käytä molempia mittoja liidulla merkittyä hammasta käyttäen. Näiden kahden mittauksen tulee olla samat. Jos repeämäaita ei ole terän kanssa rinnakkain, tee seuraavanlailla:

- **Kuva29:** 1. Asteikko

- **Kuva30:** 1. Kuusioruuvit

1. Aseta repeämäaita liukuasentoon.
2. Löysennä kaksi repeämäaidassa olevaa kuusiomutteriä annetulla istukka-avaimella.
3. Säädä repeämäaitaa, kunnes se on terän kanssa rinnakkain.
4. Käännä repeämäaidassa olevaa nuppia alas käyttäjänsä päin.
5. Kiristä repeämäaidassa olevat kaksi kuusiomutteriä.

- **Kuva31**

▲HUOMIO:

- Muista säätää halkaisuohtain siten, että se on samansuuntainen terän kanssa. Muutoin seurauksena voi olla vaarallinen takapotku.

Jos repeämäaitaa ei voida varmistaa tukevasti, säädä se seuraavan toimenpiteen mukaisesti.

- (1) Aseta repeämäaita pöydälle ja kierrä sitten nuppi sen kulkumatkan puoliväliin (liikkuvassa asemassa). Kiristä ruuvi (A) kunnes repeämäaita on tehty liikkumattomaksi. Löysää sitten 1/4 kierroksesta 1/2 kierrokseen.

- **Kuva32:** 1. Halkaisuohtain 2. Auki-asento
3. Liikkuva asema 4. Lukittu asema

- **Kuva33:** 1. Halkaisuohtain 2. Liikkuva asema
3. Ruuvi (B) 4. Ruuvi (A)

- (2) Kiristä ruuvi (B) täysin ja löysää sitten noin 2 kokonaista kierrosta.
- (3) Lukitse repeämäaita täysin kiertämällä aidan pitimessä olevaa nuppia (lukittu asema).
- (4) Varmista, että repeämäaita voidaan asentaa ja poistaa alkuperäiseen asemaansa (vapautettu asema).
- (5) Varmista, että repeämäaita voidaan liu'uttaa kitkattomasti ilman tärinää kun nuppi on kulkutiensä puolivälissä.

▲HUOMIO:

- Pidä huolta, ettet varmasti kiristä ruuvia yli sen ylhäällä olevassa ohjeessa määrättyä kiristysmäärää. Tämän ohjeen laiminlyönti voi vahingoittaa kiinnitettyjä osia.

Nosta repeämäaita ylös terän sivun kanssa samaan tasoon. Varmista, että aidan kannattimessa oleva ohjauslinja osoittaa asteikossa 0:aan. Jos ohjauslinja ei osoita asteikossa 0:aan, löysää asteikkolevyn ruuvia ja säädä asteikkolevyä.

► **Kuva34:** 1. Ohje 2. Ruuvit

Pölynimuriin kytkeminen

Puhdistustoiminnot voidaan suorittaa kytkemällä työkalu Makitan pölynimuriin tai pölynkeräyssiin.

► **Kuva35**

TYÖSKENTELY

▲HUOMIO:

- Käytä aina apuvälineitä, kuten työntöpuikkoja ja työntökappaleita, kun kädet tai sormet ovat vaarassa joutua terän lähelle.
- Pidä aina työkappaletta lujasti pöydällä ja repeämäaidalla tai viistomitalla. Älä taivuta tai väännä sitä syötön aikana. Jos työkappaletta on taivutettu tai väännetty, se saattaa aiheuttaa vaarallisia takapotkuja.
- ÄLÄ KOSKAAN vedä työkappaletta taakse terän pyöriessä. Jos työkappale on pakko vetää taakse ennen sahauksen valmistumista, sammuta ensin kone pitään työkappale tekevasti paikallaan. Odota kunnes terä on kokonaan pysähtynyt ennen kuin vedät työkappaleen taakse. Muutoin seurauksena voi olla vaarallinen takapotku.
- ÄLÄ KOSKAAN poista irti sahattuja kappaleita terän pyöriessä.
- ÄLÄ KOSKAAN sijoita kättäsi tai sormiasi sahanterän tielle. Ole erityisen varovainen viisteitysleikkausten kanssa.
- Kiinnitä halkaisusuojain aina tekevasti. Muutoin seurauksena voi olla vaarallinen takapotku.
- Käytä aina työntökapulaa tai muuta apuvälinettä, kun sahaat pienikokoisia tai kapeita työkappaleita.

Apuvälineet

Työntöpuikot, työntökappaleet ja apuohjaimet ovat esimerkkejä apuvälineistä. Niiden käyttö tekee sahausesta turvallisista ja varmaa, koska käyttäjän ei tarvitse koskea terään millään ruumiinosalla.

Työntökappale

► **Kuva36:** 1. Tasaa samansuuntaisesti 2. Kahva 3. Puuruuvi 4. Liimaa yhteen

Käytä 19 mm:n vanerikappaletta.

Kahvan tulisi olla vaneripalasen keskiosassa. Kiinnitä liimalla ja puuruuveilla kuvan mukaan. Pieni pala 9,5 mm x 8 mm x 50 mm puuta tulee aina olla liimattuna vaneriin, jotta se estäisi terän tylistymisen, jos käyttäjä leikkaa vahingossa työntölohkoon. (Älä koskaan käytä nauloja työntölohkoissa.)

Apuohjain

► **Kuva37:** 1. Tasaa samansuuntaisesti

Tee apuohjain 9,5 mm:n ja 19 mm:n vaneripaloista.

Puunpäällyys (repeämäaita)

► **Kuva38:** 1. Nro. 10 puuruuvit (tarpeeksi pitkät läpäistäkseen päällyksen puoliksi)

Puunpäällystä tulee käyttää sellaisiin toimenpiteisiin, jolloin terä menee repeämäaidan lähelle. Repeämäaidan puunpäällyksen tulee olla repeämäaidan kanssa samankokoinen. Varmista, että päällyksen pohja on samassa tasossa pöydän pinnan kanssa.

Halkaisusahaaminen

▲HUOMIO:

- Kun halkaisusahaat, irrota jiirasteikko pöydästä.
- Tue pitkät ja suuret kappaleet asianmukaisesti, jos ne ulottuvat sahattaessa pitkälle pöydän yli. ÄLÄ anna pitkän levyn liikkua tai siirtyä pöydällä. Tämä saa terän juuttumaan, mikä lisää takapotkun ja loukkaantumisen vaaraa. Tuen tulee olla samalla korkeudella kuin pöydän.

1. Säädä leikkuusyvyvyyttä hieman työkappaleen paksuutta korkeammalle.

► **Kuva39**

2. Aseta repeämäaita halutulle viiltölevyvedelle ja lukitse paikalleen kääntämällä kahvaa. Varmista ennen viiltämistä, että repeämäaidan takapää on lujasti kiinnitetty. Jos se ei ole tarpeeksi varmistettu, seuraa "Repeämäaidan kiinnitys ja säätö" osassa mainittuja toimenpiteitä.

3. Käynnistä kone ja syötä työkappaletta varovasti terälle halkaisusuojainta pitkin.

- (1) Kun villon leveys on 150 mm ja leveämpi, käytä varovasti oikeaa kättäsi työkappaleen syöttämiseen. Käytä vasenta kättäsi työkappaleen asennossa pitämiseksi repeämäaitaa vasten.

► **Kuva40**

- (2) Jos halkaisuleveys on 65 - 150 mm:n, syötä työkappaletta työntöpuikolla.

► Kuva41: 1. Työntöpuikko

- (3) Kun viillon leveys on kapeampi, kuin 65 mm, työntötikkua ei voi käyttää, koska työntötikkua iskeytyy teränsuojukseen. Käytä apu-aitaa ja työntölohkoa. Kiinnitä apu-aita repeämäaitaan kahdella "C" puristimella.

► Kuva42: 1. Apuohjain

Syötä työkappale käsin, kunnes sen loppu on noin 25 mm:n päästä pöydän etureunasta. Jatka syöttöä työntölohkoa käyttäen apu-aidan kärjessä, kunnes leikkaus on valmis.

► Kuva43: 1. Työntökappale 2. Apuohjain

Katkaisu

▲HUOMIO:

- Kun katkaiset, irrota halkaisuohjain pöydästä.
- Tue pitkät ja suuret kappaleet asianmukaisesti, jos ne ulottuvat katkaistaessa pöydän sivujen yli. Tuen tulee olla samalla korkeudella kuin pöydän.
- Pidä kädet aina pois terän tieltä.

Jiirasteikko

► Kuva44: 1. Katkaisu 2. Jiirisahaus 3. Viistesahaus 4. Yhdistelmäjiirisahaus (kulmat)

Käytä kuvan osoittamiin 4 sahaustyyppiin jiirasteikkoa.

▲HUOMIO:

- Kiinnitä jiirasteikon nuppi huolellisesti paikalleen.
- Vältä työkappaleen pujahtamista ja mittaa vakaan työtä hallitsevan asetelman mukaan, varsinkin kulmaa leikatessa.
- ÄLÄ KOSKAAN pidä kiinni työkappaleen irti sahattavasta osasta.
- Säädä aina viistoasteikon pään ja sahanterän välinen etäisyys niin, ettei se ylitä 15 mm.

Viistoasteikon sallitut pisteet

► Kuva45: 1. Nuppi 2. Pieni levy 3. Vasteruuvi

Viistoasteikonossa on vasemmalla ja oikealla väliasetnot 90° ja 45° kohdalla, jolloin viistokulman asetus käy vaivattomasti.

Aseta viistokulma löysäämällä viistoasteikon nuppia. Nosta viistoasteikon pientä levyä, jolloin kulma voidaan valita vapaasti. Käännä viistoasteikko haluttuun kulmaan. Palauta viistoasteikon pieni levy alkuperäiseen asentoon ja kiristä nuppi myötäpäivään.

Jiirasteikon käyttäminen

► Kuva46: 1. Ura 2. Jiirasteikko 3. Nuppi

Siirrä jiirasteikko pöydän paksuihin uriin. Löysennä asteikon nuppia ja aseta haluamasi kulman kohdalle (0° – 60°). Aseta työkappale ohjainta vasten ja syötä varovasti terää kohti.

Puinen apureunus (jiirasteikko)

► Kuva47

Asenna jiirasteikkoon apukehikko estääksesi pitkää levyä huojumasta. Kiinnitä pulteilla/muttereilla porattuusia reiät. Kiinnikkeet eivät kuitenkaan saa pistää levyä läpi.

Koneen kantaminen

► Kuva48

Varmista, että työkalu on kytketty pois. Kuljeta työkalua pitämällä sen osaa kuvan osoittamalla tavalla.

▲HUOMIO:

- Kiinnitä aina kaikki liikkuvat osat paikoilleen ennen koneen kantamista.
- Varmista aina ennen kuljetusta, että teränsuojus on kiinnitetty paikalleen.

KUNNOSSAPITO

▲HUOMIO:

- Varmista aina ennen tarkastuksia ja huoltotöitä, että laite on kone on sammutettu ja irrotettu virtalähteestä.
- Älä koskaan käytä bensiiniä, ohentimia, alkoholia tai tms. aineita. Muutoin pinta voi halkeilla tai sen värit ja muoto voivat muuttua.

Puhdistus

Puhdista silloin tällöin sahanpuru ja lastut. Puhdista teränsuojus ja pöytäpyörösahan sisällä olevat liikkuvat osat varovasti.

Voitelu

Pöytäpyörösahan erinomaisessa toimintakunnossa pitämisen vuoksi sekä maksimi palveluiän varmistamiseksi öljyä tai rasvaa liikkuvat ja pyörivät osat aika ajoin. Voitelupaikat:

- Kierteinen akseli terän kohottamiseen
- Saranoi rungon kiertämiseksi
- Moottorissa oleva kohotuksen ohjausakseli
- Hammasratas terän kohottamiseen
- Repeämäaidan ohjauskiskot
- Ala-pöydän (R) liukitusvipujen akseli
- Ala-pöydän (R) liukuosa

Hiiliharjojen vaihtaminen

► Kuva49: 1. Rajamerkki

Irrota ja tarkista hiiliharjat säännöllisesti. Vaihda uusiin, kun ne ovat kuluneet rajamerkkiin saakka. Pidä hiiliharjat puhtaina ja vapaina liukumaan pitimissään. Molemmat hiiliharjat on vaihdettava samalla kertaa. Käytä vain keskenään samanlaisia hiiliharjoja. Irrota hiiliharjanpidikkeiden kuvat ruuvimeisselillä. Vaihda hiiliharjat poistamalla teränsuojus ja terä ja löysennä sitten lukkovipu, kallista sahan kärkeä ja kiinnitä se 45° viisteityskulmaan. Sijoita työkalu sitten varovasti itsensä päälle takaperin. Löysennä sitten hiiliharjapidikkeiden kupu. Ota pois kuluneet hiiliharjat, asenna uudet ja kiinnitä pidikkeiden kuvat.

► **Kuva50:** 1. Harjanpitimen kansi 2. Ruuvitaltta

Koneen TURVALLISUUDEN ja LUOTETTAVUUDEN säilyttämiseksi korjaukset sekä muut huoltotoimet ja säädöt on jätettävä Makitan valtuuttaman huollon tehtäväksi käyttäen aina Makitan alkuperäisiä varaosia.

LISÄVARUSTEET

HUOMIO:

- Näitä lisävarusteita ja -laitteita suositellaan käytettäväksi tässä ohjekirjassa mainitun Makitan koneen kanssa. Minkä tahansa muun lisävarusteen tai -laitteen käyttäminen voi aiheuttaa loukkaantumisvaaran. Käytä lisävarusteita ja -laitteita vain niiden käyttötarkoituksen mukaisesti.

Jos tarvitset apua tai yksityiskohtaisempia tietoja seuraavista lisävarusteista, ota yhteys paikalliseen Makitan huoltoon.

Pöydän jalustasarja (lisävaruste)

Koskee pöytäpyörörsahan jalustan käsikirjaa, joka annetaan pöytäpyörörsahan jalustan mukana vaihtoehtoisena lisävarusteena.

- Teräs- ja karbidikärkiset sahanterät
- Ala-pöytä (L)
- Ala-pöytä (taka)
- Repeämäaita
- Jiiriasteikko
- Offset-ruuviavain 12-22
- Kiintoavain 19
- Kuusioavain 5
- Liitos (pölynkerääjään kytkemiseen)
- Apu-levy
- Jalusta sarja
- Liukuohjain

SPECIFIKĀCIJAS

Modelis		2704	
		(Eiropas valstīm)	(citām valstīm, izņemot Eiropas valstis)
Ass caurums		30 mm	25 mm un 25,4 mm
Asmens diametrs		260 mm	255 mm / 260 mm
Maks. griešanas jauda	90°	93 mm	91 mm / 93 mm
	45°	64 mm	63 mm / 64 mm
Apģiezieni minūtē bez slodzes (min ⁻¹)		4 800	
Galda izmērs (G x P)		(665 mm - 1 045 mm) x (753 mm - 1 066 mm) ar apakšējo galdu (R) un (aizmugures)	567 mm x (753 mm - 1 066 mm) ar apakšējo galdu (R - labo)
Gabarīti (G x P x A), neizvēršot galdu(-s)		715 mm x 753 mm x 344 mm ar apakšējo galdu (R) un (aizmugures)	665 mm x 753 mm x 344 mm ar apakšējo galdu (R - labo)
Neto svars		34,9 kg	29,5 kg
Drošības klase		II	

- Dēļ mūsu nepārtrauktās pētniecības un izstrādes programmas, šeit dotās specifikācijas var mainīties bez brīdinājuma.
- Atkarība no valsts specifikācijas var atšķirties.
- Svārs atbilstoši EPTA-Procedure 01/2003

Simboli

Zemāk ir attēloti simboli, kas attiecas uz iekārtu. Pirms darbarīka izmantošanas pārliecinieties, vai pareizi izprotat to nozīmi.



Izlasiet rokasgrāmatu.



DUBULTA IZOLĀCIJA



Valkājiet aizsargbrilles.



Neturiet roku vai pirkstus asmens tuvumā.



Tikai ES dalībvalstīm
Neizmetiet elektriskās iekārtas kopā ar mājturības atkritumiem!
Saskaņā ar Eiropas Direktīvas par utilizējamo elektrisko un elektronisko aparāturu 2002/96/EC prasībām un tās īstenošanu saskaņā ar nacionālo likumdošanu, elektriskās iekārtas to kalpošanas laikā beigās ir jāsavāc atsevišķi no citiem atkritumiem un jānogādā atbilstošajā utilizācijas centrā.

Paredzētā lietošana

Šis darbarīks ir paredzēts iegriezumiem kokā.

Barošana

Šo instrumentu jāpieslēdz tikai datu plāksnītē uzrādītā sprieguma barošanas avotam; to iespējams darbināt tikai ar vienfāzes maiņstrāvas barošanu. Tiem ir divkāršā izolācija saskaņā ar Eiropas standartu, tāpēc tos var izmantot bez zemējuma.

Troksnis

Tipiskais A-svērtais trokšņa līmenis ir noteikts saskaņā ar EN61029:

- Skaņas spiediena līmenis (L_{PA}): 94 dB (A)
- Skaņas jaudas līmenis (L_{WA}): 107 dB (A)
- Neskaidrība (K): 3 dB (A)

Lietojiet ausu aizsargus

Tikai Eiropas valstīm

EK Atbilstības deklarācija

Mēs, uzņēmums „Makita Corporation”, kā atbildīgs ražotājs paziņojam, ka sekojošais/-ie „Makita” darbarīks/-i:

Darbarīka nosaukums:

Galda zāģis

Modeļa Nr./ tips: 2704

ir sērijveida izstrādājums un

Atbilst sekojošām Eiropas Direktīvām:

2006/42/EC

Un tas ražots saskaņā ar sekojošiem standartiem vai standartdokumentiem:

EN61029

Tehnisko dokumentāciju uztur mūsu pilnvarots pārstāvis Eiropā -

Makita International Europe Ltd.

Michigan Drive, Tongwell,

Milton Keynes, Bucks MK15 8JD, Anglija



Tomoyasu Kato
Direktors
Makita Corporation
3-11-8, Sumiyoshi-cho,
Anjo, Aichi, 446-8502, JAPAN

Vispārējie mehanizēto darbarīku drošības brīdinājumi

△BRĪDINĀJUMS Izlasiet visus drošības brīdinājumus un visus norādījumus. Brīdinājumu un norādījumu neievērošanas gadījumā var rasties elektriskās strāvas trieciens, ugunsgrēks un/vai nopietnas traumas.

Glabājiet visus brīdinājumus un norādījumus, lai varētu tajos ieskatīties turpmāk.

PAPILDUS DROŠĪBAS NOTEIKUMI DARBARĪKA LIETOŠANAI

SAGLABĀJIET ŠOS NORĀDĪJUMUS.

- Lietojiet acu aizsargus.
- Nelietojiet darbarīku viegli izliesmojošu šķidrumu un gāzu tuvumā.
- NEKAD neizmantojiet darbarīku ar uzstādītu abrazīvu griezējripi.
- Pirms darba veikšanas uzmanīgi pārbaudiet, vai asmenim nav plaisu vai bojājumu. Ieplaisājušu vai bojātu asmeni nekavējoties nomainiet.
- Izmantojiet tikai tādus asmeņus, ko iesaka ražotājs un kas atbilst standartam LVS EN 847-1, kā arī ievērojiet, ka šķelšanas nazis nedrīkst būt biežāks par zāģa asmens griezuma platumu un nedrīkst būt plānāks par asmens korpusu.
- Vienmēr izmantojiet piederumus, kas norādīti šajā rokasgrāmatā. Nepiemērotu piederumu, piemēram, abrazīvo griezējripi, izmantošana var izraisīt ievainojumu.
- Zāģa asmeni izvēlieties atbilstoši zāģējamam materiālam.
- Neizmantojiet asmeņus, kas ražoti no ātrgriezīga tērauda.
- Lai mazinātu radušos troksni, vienmēr pārliecinieties, vai asmens ir ass un tīrs.
- Izmantojiet pareizi uzasinātus zāģa asmeņus. Ievērojiet uz zāģa asmens norādīto maksimālo ātrumu.
- Pirms asmens uzstādīšanas nofīriet vārpstu, atlokus (it īpaši uzstādīšanas virsmu) un seššķautņņu skrūvi. Nepareiza uzstādīšana var radīt asmens vibrāciju/svārstības vai izslīdi.
- Izmantojiet zāģa asmens aizsargu un šķelšanas nazi visiem darbiem, kam tos var izmantot, tai skaitā pilnīgas sazāģēšanas darbiem. Vienmēr uzstādiat asmens aizsargu sekojot instrukcijām, kas sniegtas šajā rokasgrāmatā. Pilnīgas sazāģēšanas darbs ir tāds darbs, kurā asmens pilnībā izzāģējas cauri apstrādājamam materiālam, piemēram, gareniskā zāģēšana vai pārzāģēšana. NEKAD neizmantojiet darbarīku ar bojātu asmens aizsargu, kā arī nenostipriniet asmens aizsargu ar virvi, auklu u.c. Jebkura nepareiza asmens aizsarga darbība nekavējoties jānovērš.
- Pēc tam, kad esat paveicis darbību, kurā nepieciešams noņemt aizsargu, nekavējoties to piestipriniet atpakaļ.
- Negrieziet metāla objektus, piemēram, naglas un skrūves. Pirms sākt darbu pārbaudiet, vai apstrādājamā materiālā nav naglas, skrūves un citi svešķermeņi, un tos izņemiet.
- Pirms slēdža ieslēgšanas no galda noņemiet uzgriežņatslēgas, nogrieztos gabalus u.c.
- Darba laikā NEKAD nevalkājiat cimdus.
- Netuviniet rokas zāģa asmens trajektorijai.
- NEKAD nevienam citam stāvēt zāģa asmens trajektorijas tuvumā.
- Pirms slēdža ieslēgšanas pārliecinieties, vai asmens nepieskaras šķelšanas nazim vai apstrādājamam materiālam.
- Pirms sākt darbarīku lietot ar apstrādājamo materiālu, neilgi darbiniet to bez slodzes. Pievērsiet uzmanību vibrācijai vai svārstībām, jo tas var liecināt par nepareizu uzstādīšanu vai slikti līdzsvarotu asmeni.
- Darbarīku nevar izmantot rievu un gropju zāģēšanai.
- Ja galda starplika ir nolietojusies, to nomainiet.
- NEKAD neko neregulējiet, ja darbarīks ir ieslēgts. Pirms regulēšanas atvienojiet darbarīku no elektrotīkla.
- Kad nepieciešams, izmantojiet nūju grūšanai. Nūja grūšanai JĀIZMANTO šauru apstrādājamo materiālu gareniskai zāģēšanai, lai netuvinātu rokas un pirkstus asmenim.
- Vienmēr, kad neizmantojiet nūju grūšanai, glabājiet to savā vietā.
- Īpašu uzmanību pievērsiet instrukcijām, lai mazinātu ATSIETIENA risku. ATSIETIENS ir pēkšņa pretkustība pēc zāģa asmens iesprūšanas, ieķīlēšanās vai nepareizas novietošanās. ATSIETIENS liek apstrādājamam materiālam atlēkt no darbarīka operatora virzienā. ATSIETIENS VAR IZRAISĪT SMAGU IEVAINOJUMU. Izvairieties no ATSIETIENIEM, rūpējoties, lai asmens būtu ass un gareniskā barjera paralēla asmenim un lai šķelšanas nazis un asmens aizsargs būtu savā vietā un pareizi darbotos, kā arī neatlaižot apstrādājamo materiālu, kamēr neesat atzvirzījis pilnībā garām asmenim un nezāģējot gareniski apstrādājamo materiālu, kas ir saspiests vai sameties vai kam nav taisna mala, kuru var virzīt gar barjeru.
- Nekad neveiciet nevienu darbu, turot apstrādājamo materiālu rokā. Tas nozīmē, ka apstrādājamo materiālu atbalstāt vai virzāt ar rokām, devis ar garenisko barjeru vai leņķmēru.
- NEKAD nesniedzieties pāri zāģa asmenim. NEKAD nesniedzieties pēc apstrādājamā materiāla, kamēr zāģa asmens nav pilnībā apstājies.
- Izvairieties no asas, straujas pievades. Griežot cietu apstrādājamo materiālu, to pievadiet pēc iespējas lēnāk. Pievadot materiālu, to nesalieciet un nesalokiet. Ja asmens apstrādājamā materiālā apstājas vai iesprūst, nekavējoties izslēdziet darbarīku. Atvienojiet darbarīku no elektrotīkla. Pēc tam novērsiet iesprūdumu.
- NEKAD neņemiet nost nogrieztos gabalus blakus asmenim un neaiztieciet asmens aizsargu, kamēr asmens darbojas.

31. PIRMS sākt griezt no apstrādājamā materiāla izsitiet visus vaļņos zarus.
32. Lietojiet vadu pareizi. Nekad neraujiet aiz vada, lai to atvienotu no spraudlīdzdas. Sargājiet vadu no siltuma avotiem, eļļas, ūdens un asām malām.
33. Darba gaitā dažu veidu radušos putekļu sastāvā ir ķīmiskās vielas, kas var izraisīt vēzi, iedzīmas slimības vai cita veida reproduktīvu kaitējumu. Šādas ķīmiskās vielas var būt:
 - svins no materiāla, kas izgatavots no krāsota svina un
 - arsēns un hroms no ķīmiski apstrādātiem zāģmateriāliem.
 - Risks jūsu veselībai palielinās atkarībā no tā, cik bieži jūs veicat šāda veida darbu. Lai samazinātu šo ķīmisko vielu iedarbību: strādājiet labi vēdinātā darba vietā un ar apstiprinātiem drošības piederumiem, piemēram, putekļu maskām, kas ir speciāli paredzētas, lai izfiltrētu mikroskopiskas daļiņas.
34. Zāģējot ar darbarīku, tam pievienojiet putekļu savācēju.
35. Aizsargu var pacelt apstrādājamā materiāla uzstādīšanas laikā un arī, lai būtu vieglāk tīrīt. Vienmēr pirms darbarīka pievienošanas kontaktlīdzdai pārliecinieties, vai aizsarga vāks ir nolaists un vienā līmenī ar zāģa galdu.

SAGLABĀJIET ŠOS NORĀDĪJUMUS.

UZSTĀDĪŠANA

Galda zāģa novietošana

- ▶ **Att.1:** 1. Cauruma diametrs 8 mm
- ▶ **Att.2:** 1. 6 mm stand. paplāksne 2. Nr. 10 kokskrūve 40 mm min. garums
- ▶ **Att.3:** 1. 6 mm stand. paplāksne 2. 6 mm montāžas bultskrūve un uzgrieznis Cieši pieskrūvējiet

Novietojiet galda zāģi labi apgaismotā un līdzenā vietā, kur iespējams stāvēt uz cieša un stabila atbalsta. Tas jāuzstāda tādā vietā, kur ir pietiekami daudz apstrādājamo materiālu izmēriem atbilstošas brīvas vietas. Galda zāģis jāpieskrūvē ar cetrām skrūvēm vai bultskrūvēm pie darba galda vai galda zāģa statīva, izmantojot tām paredzētos caurumus galda zāģa apakšpusē. Piestiprinot galda zāģi pie darba galda, pārbaudiet, vai atvere tā augšpusē ir tāda paša lieluma kā atvere galda zāģa apakšpusē, lai zāģa skaidas varētu birt tai cauri. Ja darba laikā galda zāģis mēdz gāzties, bīdīties vai kustēties, darba galds vai galda zāģa statīvs jāpiestiprina pie grīdas.

Papildpiederumu uzglabāšana

- ▶ **Att.4:** 1. Leņķveida mērinstruments
- ▶ **Att.5:** 1. Zāģējuma vadotne 2. Bīdstienis

Leņķveida mērinstrumentu, asmeni un uzgriežņu atslēgas var uzglabāt pamatnes kreisajā pusē, un garenzāģēšanas ierobežotāju – pamatnes labajā pusē.

FUNKCIJU APRAKSTS

⚠UZMANĪBU:

- Pirms regulējat vai pārbaudāt instrumenta darbību, vienmēr pārliecinieties, vai instruments ir izslēgts un atvienots no barošanas.

Zāģēšanas dziļuma regulēšana

- ▶ **Att.6:** 1. Rokturis

Zāģēšanas dziļumu var noregulēt, griežot rokturi. Grieziet rokturi pulksteņrādītāja virzienā, lai paceltu asmeni, vai pretēji tam, lai to nolaistu zemāk.

PIEZĪME:

- Lai zāģēšana būtu precīzāka un drošāka, zāģējot plānus materiālus, izmantojiet seklu zāģēšanas dziļumu.

Slīpā leņķa noregulēšana

- ▶ **Att.7:** 1. Bloķēšanas svira 2. Bultiņas rādītājs 3. Rokrats

Atbrīvojiet bloķēšanas sviru pretēji pulksteņrādītāja virzienam un pagrieziet rokratu līdz vēlamajam leņķim (0° - 45°). Ar bultiņu norāda slīpo leņķi. Kad iegūts vēlamais leņķis, pievelciet sviru pulksteņrādītāja virzienā, lai nofiksētu šo stāvokli.

⚠UZMANĪBU:

- Kad noregulēts vēlamais leņķis, obligāti cieši nostipriniet bloķēšanas sviru.

Nekustīgo aizturu regulēšana

- ▶ **Att.8:** 1. 90° regulēšanas skrūve 2. 45° regulēšanas skrūve

- ▶ **Att.9**

Darbarīks ir aprīkots ar nekustīgiem aizturiem 90° un 45° grādu leņķī pret galda virsmu. Lai pārbaudītu un noregulētu nekustīgos aizturus, rīkojieties šādi: Griežot rokratu, pārvietojiet to, cik vien iespējams tālu. Novietojiet leņķmēru uz galda un pārbaudiet, vai asmens atrodas 90° un 45° grādu leņķī pret galda virsmu. Ja asmens atrodas leņķī, kā attēlots A zīm., lai noregulētu nekustīgos aizturus, grieziet regulēšanas skrūves pulksteņrādītāja virzienā; ja tas ir leņķī, kā attēlots B zīm., grieziet regulēšanas skrūves pretēji pulksteņrādītāja virzienam. Pēc nekustīgo aizturu noregulēšanas uzstādiet asmeni 90° leņķī pret galda virsmu. Pēc tam noregulējiet bultiņu tā, lai tās labā mala būtu vērsta pret 0° leņķa iedaļu.

- ▶ **Att.10:** 1. Bultiņas rādītājs

Slēdža darbība

Sviras veida slēdzim

- ▶ **Att.11:** 1. Slēdzis

⚠UZMANĪBU:

- Pirms instrumenta pieslēgšanas vienmēr pārliecinieties, ka tas izslēgts.

Lai iedarbinātu darbarīku, paceliet slēdža sviru. Lai to apturētu, nolaidiet slēdža sviru uz leju.

Virināmo slēdža sviras plāksni iespējams nobloķēt, cauri kreisās puses aizbīdnim izvelkot piekaramo slēdzeni.

► **Att.12:** 1. Slēdzene

Pogas veida slēdzim

► **Att.13:** 1. Slēdzis

⚠UZMANĪBU:

- Pirms ekspluatācijas pārbaudiet, vai darbarīks ir ieslēgts un izslēgts.

Lai iedarbinātu darbarīku, nospiediet ON (I) (ieslēgts) pogu.

Lai to apturētu, nospiediet OFF (O) (izslēgts) pogu.

Apakšējais galds (R - labais)

► **Att.14:** 1. Svira

► **Att.15:** 1. Apakšējais galds (R - labais)

Šis darbarīks ir aprīkots ar apakšējo galdu (R) galvenā galdā labajā pusē. Lai lietotu apakšējo galdu (R), paceliet abas sviras, kas atrodas priekšpusē pa labi, izvelciet galdu (R) līdz galam un tad nolaidiet sviras, lai to nostiprinātu.

Ja izmantojat apakšējo galdu (R), novietojiet uz tā skalas plāksni, kad ar skrūvgriezi esat atskrūvējuši apakšējā galdā skrūvi tā, lai galds būtu kā skalas plāksnes turpinājums uz galvenā galdā.

► **Att.16:** 1. Skalas plāksne 2. Skrūve

Apakšējais galds (aizmugurē) (papildpiederums visām citām valstīm, izņemot Eiropas valstis)

► **Att.17:** 1. Apakšējais galds (aizmugurē) 2. Skrūve

Lai izmantotu palīggaldu (aizmugurējo), atbrīvojiet skrūves zem galdā gan kreisajā, gan labajā pusē un izvelciet to ārā vairāk par 50 mm tā, lai tas neatstātos pret garenzāģēšanas ierobežotāja augšējo galu.

PIEZĪME:

- Ja garenzāģēšanas ierobežotāja lietošanas laikā izmantojat apakšējo galdu (aizmugurē), izvelciet to ārā vairāk par 50 mm tā, lai tas neatstātos pret garenzāģēšanas ierobežotāja augšējo galu.

Apakšējais galds (L - kreisais) (papildpiederums)

► **Att.18:** 1. Skrūve 2. Apakšējais galds (L - kreisais)

Apakšējo galdu (L) (papildpiederums) iespējams uzstādīt galdā kreisajā pusē, lai iegūtu vairāk vietas.

MONTĀŽA

⚠UZMANĪBU:

- Vienmēr pārliecinieties, vai instruments ir izslēgts un atvienots no barošanas, pirms veicat jebkādas darbības ar instrumentu.

Piegādājot darbarīku no rūpnīcas, zāģa asmens un asmens aizsargs nav uzstādīti tiem paredzētajās vietās. Samontējiet šādi:

Zāģa asmens uzstādīšana un noņemšana

⚠UZMANĪBU:

- Pirms asmens uzstādīšanas vai noņemšanas vienmēr pārbaudiet, vai darbarīks ir izslēgts un atvienots no strāvas.
- Asmeni uzstādiat vai noņemiet tikai ar komplektācijā esošo Makita gala uzgriežņu atslēgu. Ja tā nerīkosieties, seššķautņu bultskrūve būs pieskrūvēta pārāk cieši vai pārāk vaļīgi. Tādējādi var rasties savainojumu risks.
- Izmantojiet šādu zāģa asmeni. Neizmantojiet tādus asmeņus, kas neatbilst šajās instrukcijās noteiktajiem raksturlielumiem.

Modelim	Maks. diam.	Min. diam.	Asmens biezums	Iezāģēšana
2704	260 mm	230 mm	1,8 mm vai mazāk	2 mm vai vairāk

⚠UZMANĪBU:

- Pirms asmens uzstādīšanas pārbaudiet asmens ass cauruma diametru. Ass caurumam vienmēr izmantojiet pareizo izmantojamā asmens gredzenu.

► **Att.19:** 1. Divpusēja izliekta uzgriežņu atslēga 2. Seššķautņu uzgrieznis 3. Uzgriežņu atslēga

Noņemiet galdā starplikus. Turiet ārējo atloku ar divpusēju izliektu uzgriežņu atslēgu un ar to pretēji pulksteņrādītāja virzienam atskrūvējiet seššķautņu uzgriezni. Tad noņemiet ārējo atloku.

Uz ass uzlieciet iekšējo atloku, gredzenu, zāģa asmeni, ārējo atloku un seššķautņu uzgriezni, pārbaudot, vai asmens zobi ir vērsti pret galdā priekšpusi. Seššķautņu uzgriezni vienmēr uzstādiat tā, lai padziļinātā puse būtu vērstā pret ārējo atloku.

► **Att.20:** 1. Iekšējais atloks 2. Gredzens 3. Zāģa asmens 4. Ārējais atloks 5. Seššķautņu uzgrieznis

Visām citām valstīm, izņemot Eiropas valstis

⚠UZMANĪBU:

- Sudraba gredzens ar ārējo diametru 25,4 mm ir rūpnīcā uzstādīts uz vārpstas. Melnais gredzens ar ārējo diametru 25 mm ir iekļauts komplektācijā kā standarta aprīkojums. Pirms asmens uzstādīšanas uz vārpstas vienmēr pārbaudiet, vai uz tās ir uzstādīts pareizais gredzens izmantojamā asmens ass caurumam.

Eiropas valstīm

▲UZMANĪBU:

- Gredzens ar ārējo diametru 30 mm starp ārējo un iekšējo atloku ir uzstādīts rūpnīcā.
- Rūpējieties, lai uz atloka virsmas neatrastos netīrumi vai citi pielipuši priekšmeti, jo pretējā gadījumā asmens var slīdēt. Pārbaudiet, vai asmens ir uzstādīts tā, ka zobi atrodas zāgēšanas (griešanās) virzienā.

Lai asmeni nostiprinātu tam paredzētajā vietā, ar divpusēju izliektu uzgriežņu atslēgu turiet ārējo atloku, tad ar to pretēji pulksteņrādītāja virzienam pieskrūvējot seššķautņu uzgriezni. PĀRBAUDIET, VAI SEŠŠĶAUTŅU UZGRIEZNIS IR CIEŠI PIESKRŪVĒTS.

- **Att.21:** 1. Divpusēja izliekta uzgriežņu atslēga
2. Uzgriežņu atslēga

▲UZMANĪBU:

- Rūpējieties, lai seššķautņu uzgriezni ar uzgriežņu atslēgu turētu uzmanīgi. Ja rokturis paslīdēs, uzgriežņu atslēga var nokrist no seššķautņu uzgriežņa, un jūs varat savainot savas rokas uz asajām asmens malām.

Asmens aizsarga uzstādīšana

- **Att.22:** 1. Asmens aizsargs 2. Škeļošais nazis 3. asmens aizsarga uzstādīšanas daļu (atbalstu)
- **Att.23:** 1. Asmens aizsargs 2. Škeļošais nazis

▲UZMANĪBU:

- Pirms asmens aizsarga uzstādīšanas noregulējiet zāgēšanas dziļumu līdz maksimālajam pacēlumam.

Asmens aizsargam, kas paredzēts visām valstīm, izņemot Eiropas valstis

Noņemiet centrālo aizsargu. Škeļošo nazi ievietojiet asmens aizsarga uzstādīšanas daļā (atbalstā). Ar atbilstošu uzgriežņu atslēgu pieskrūvējiet seššķautņu bultskrūves (A).

Asmens aizsargam, kas paredzēts Eiropas valstīm

- **Att.24:** 1. Škeļošais nazis 2. Asmens aizsargs 3. Svira

► **Att.25:** 1. Asmens aizsargs 2. Škeļošais nazis

Noņemiet centrālo aizsargu. Škeļošo nazi ievietojiet asmens aizsarga uzstādīšanas daļā (atbalstā). Ar atbilstošu uzgriežņu atslēgu pieskrūvējiet seššķautņu bultskrūves (A).

Asmens aizsargu ievietojiet škeļošā naža rievā. Nostipriniet asmens aizsargu, griežot sviru, kas atrodas uz tā.

Asmens aizsargiem, kas paredzēti gan Eiropas valstīm, gan pārējām valstīm, izņemot Eiropas valstis

Škeļošā naža uzstādīšanas vieta ir noregulēta rūpnīcā tā, lai asmens un škeļošais nazis būtu taisnā līnijā. Taču, ja tie neatrodas taisnā līnijā, atskrūvējiet seššķautņu bultskrūves (B) un noregulējiet asmens aizsarga uzstādīšanas daļu (atbalstu) tā, lai škeļošais nazis būtu novietots tieši aiz asmens. Tad pieskrūvējiet seššķautņu bultskrūves (B), lai nostiprinātu atbalstu.

- **Att.26:** 1. Asmens 2. Šiem abiem attālu-
miem jābūt vienādiem. 3. Škeļošais
nazis 4. Seššķautņu bultskrūves (B)
5. Seššķautņu bultskrūves (A)

▲UZMANĪBU:

- Ja asmens un škeļošais nazis nav pareizi savietoti, darba laikā var rasties bīstama saspiešanas riska situācija. Pārbaudiet, vai tie ir pareizi savietoti. Eksploatējot darbarīku ar nepareizi savietotu škeļošo nazi, jūs varat gūt nopietnus ievainojumus.
- NEKAD neko neregulējiet, kad darbarīks darbojas. Pirms regulēšanas atvienojiet darbarīku no barošanas avota.
- Nenoņemiet škeļošo nazi.

Starp škeļošo nazi un asmens zobiem jābūt apmēram 4–5 mm attālumam. Atskrūvējiet seššķautņu bultskrūves (A), atbilstoši noregulējiet škeļošo nazi un cieši pieskrūvējiet (A) seššķautņu bultskrūves. Piestipriniet galda starpliku, tad pirms darba pārbaudiet, vai asmens aizsargs darbojas vienmērīgi.

- **Att.27:** 1. Škeļošais nazis 2. Asmens aizsargs

Garenzāgēšanas ierobežotāja uzstādīšana un regulēšana

- **Att.28:** 1. Āķis 2. Rokturis 3. Vadotnes sliede

1) Āķi, kas atrodas garenzāgēšanas ierobežotāja augšgalā, ievietojiet tālākajā virzošajā sliedē uz galda vai apakšējā galda (R) un uzstādiet garenzāgēšanas ierobežotāju, tad to bidiet uz priekšu tā, lai ierobežotāja tureklis savienotos ar blakus esošo virzošo sliedi. Lai garenzāgēšanas ierobežotāju uz virzošās sliedes virzītu uz sāniem, rokturi, kas atrodas uz tā turekļa, grieziet līdz pusei no apgrieziena.

Lai nostiprinātu garenzāgēšanas ierobežotāju, rokturi, kas atrodas uz tā turekļa, pagrieziet pilnībā līdz pilnam apgriezienam.

2) Lai garenzāgēšanas ierobežotāju uz virzošās sliedes virzītu uz sāniem, rokturi, kas atrodas uz tā turekļa, atgrieziet atpakaļ līdz galam, nevelkot sviru uz roktura.

3) Lai to noņemtu, velciet sviru uz roktura un, to velkot, grieziet rokturi līdz galam uz priekšu.

Lai pārbaudītu, vai garenzāgēšanas ierobežotājs atrodas paralēli asmenim, nostipriniet to 2 - 3 mm tālāk no asmens. Paceliet asmeni līdz maksimālajam pacēlumam. Vienu no asmens zobiem atzīmējiet ar krāsaino zīmuli. Izmēriet attālumus (A) un (B) starp garenzāgēšanas ierobežotāju un asmeni. Abus mērījumus veiciet, izmantojot ar krāsaino zīmuli atzīmētos zobus. Šiem abiem mērījumiem jābūt identiskiem. Ja garenzāgēšanas ierobežotājs nav paralēls asmenim, rīkojieties šādi:

► **Att.29:** 1. Skala

► **Att.30:** 1. Seššķautņu bultskrūves

1. Novietojiet garenzāģēšanas ierobežotāju virzīšanas stāvoklī.
2. Ar atbilstošu seššķautņu uzgriežņu atslēgu atskrūvējiet abas garenzāģēšanas ierobežotāja seššķautņu bultskrūves.
3. Noregulējiet garenzāģēšanas ierobežotāju, līdz tas atrodas paralēli asmenim.
4. Pagrieziet garenzāģēšanas ierobežotāja rokturi uz leju operatora virzienā.
5. Pieskrūvējiet abas garenzāģēšanas ierobežotāja seššķautņu bultskrūves.

► **Att.31**

UZMANĪBU:

- Obligāti noregulējiet garenzāģēšanas ierobežotāju, lai tas atrodas paralēli asmenim, jo pretējā gadījumā var būt bīstama atsitiena situācija.

Ja vadotnes stiprinājumu nav iespējams droši nostiprināt, noregulējiet to saskaņā ar šo procedūru.

- (1) Novietojiet vadotnes stiprinājumu uz galda un tad daļēji pagrieziet kloķi (kustīgā pozīcija). Pievelciet skrūvi (A), līdz vadotnes stiprinājums ir padarīts nekustīgs. Tad atskrūvējiet to par 1/4 līdz 1/2 pagriezienu.

► **Att.32:** 1. Zāģējuma vadotne 2. Atvienots stāvoklis 3. Kustīgā pozīcija 4. Fiksētā pozīcija

► **Att.33:** 1. Zāģējuma vadotne 2. Kustīgā pozīcija 3. Skrūve (B) 4. Skrūve (A)

- (2) Pievelciet skrūvi (B) pilnībā un tad atskrūvējiet par apmēram 2 pilniem apgriezieniem.
- (3) Fiksējiet vadotnes stiprinājumu, pievelcot kloķi uz stiprinājuma turētāja (fiksētā pozīcija).
- (4) Pārliicinieties, ka vadotnes stiprinājumu iespējams ierīkot un noņemt oriģinālajā pozīcijā (atbrīvotā pozīcija).
- (5) Pārliicinieties, ka vadotnes stiprinājumu var viegli un bez svārstīšanās bīdīt, kad kloķis ir daļēji pagriezts.

UZMANĪBU:

- Esiet uzmanīgi, nepievelciet skrūves ciešāk, nekā norādīts augstāk minētajās instrukcijās. Šis norādes neievērošana var bojāt stiprinātās daļas.

Paceliet garenzāģēšanas ierobežotāju uz augšu vienā līmenī pret asmens malu. Pārbaudiet, vai pamatnorāde uz ierobežotāja turekļa ir vērsta pret 0 iedaļu. Ja tā nav vērsta pret 0 iedaļu, atskrūvējiet skalas plāksnes skrūvi un noregulējiet skalas plāksni.

► **Att.34:** 1. Vadlīnija 2. Skrūves

Pievienošana putekļsūcējam

Zāģēšanas laikā neizcelsies putekļi, ja šo darbarīku pievienosiet Makita putekļsūcējam vai putekļu savācējam.

► **Att.35**

EKSPLUATĀCIJA

UZMANĪBU:

- Vienmēr izmantojiet darba palīg līdzekļus, piemēram, bīdīstienus un bīdīšanas blokus, ja pastāv risks, ka jūsu rokas vai pirksti atradīsies asmens tuvumā.
- Vienmēr turiet apstrādājamo materiālu cieši pie galda un garenzāģēšanas ierobežotāja. Padeves laikā to nelokiet un negrieziet. Ja apstrādājamo materiālu ir salocīts vai sagrozīts, var rasties bīstami atsitieni.
- NEKAD neizmantojiet apstrādājamo materiālu ārā, kamēr asmens griežas. Ja apstrādājamo materiāls jāizmanto ārā pirms zāģēšanas ir pabeigta, vispirms izslēdziet darbarīku, cieši turot apstrādājamo materiālu. Pirms apstrādājamā materiāla izņemšanas nogaidiet, līdz asmens ir pilnībā pārstājis darboties. Neievērojot šo noteikumu, var izraisīt bīstamus atsitienus.
- NEKAD neizmantojiet ārā nozāģēto materiālu, kamēr asmens griežas.
- NEKAD zāģa asmens ceļā nelieciet rokas vai pirkstus. Īpaši uzmanieties, zāģējot slīpā leņķī.
- Vienmēr cieši piestipriniet garenzāģēšanas ierobežotāju, jo pretējā gadījumā var izraisīt bīstamus atsitienus.
- Zāģējot nelielu vai šauru apstrādājamo materiālu, vienmēr izmantojiet darba palīg līdzekļus, piemēram, bīdīstienus un bīdīšanas blokus.

Darba palīg līdzekļi

Bīdīstieņi, bīdīšanas bloki vai palīgierobežotājs ir darba palīg līdzekļi. Izmantojiet tos, lai zāģētu droši un ar pārliecību, ka operatoram nebūs jāpieskaras asmenim ne ar vienu ķermeņa daļu.

Bīdīšanas bloks

► **Att.36:** 1. Paralēli priekšpusei/malai 2. Rokturis 3. Kokskrūve 4. Salīmēt kopā

Izmantojiet 19 mm finiera gabalu.

Rokturim jāatrodas finiera gabala vidū. Piestipriniet ar līmi un kokskrūvēm, kā attēlots. Pie finiera vienmēr jāpielīmē mazs koka gabaliņš 9,5 mm x 8 mm x 50 mm izmēra, lai asmens nekļūtu truls, ja operators nejauši iezāģē bīdīšanas blokā. (Bīdīšanas blokā nekad nedzeniet naglas.)

Palīgierobežotājs

► **Att.37:** 1. Paralēli priekšpusei/malai

No 9,5 mm un 19 mm finiera gabaliem izveidojiet palīgierobežotāju.

Koka finierējums (garenzāģēšanas ierobežotājs)

► **Att.38:** 1. Nr. 10 kokskrūves (pietiekami garas, lai līdz pusei ieskrūvētu finierējumā)

Koka finierējums jāizmanto tādos gadījumos, kad asmens novietots tuvu garenzāģēšanas ierobežotājam. Koka finierējumam jābūt tādā pašā lielumā kā garenzāģēšanas ierobežotājs. Pārbaudiet, vai finierējuma apakšpuse ir vienā līmenī ar galda virsmu.

Garenzāģēšana

⚠UZMANĪBU:

- Zāģējot gareniski, no galda noņemiet leņķveida mērinstrumentu.
- Zāģējot garus vai lielus materiālus, vienmēr nodrošiniet piemērotu atbalstu aiz galda. NEPIELAUJIET, ka garš dēlis uz galda kustētos vai bīdītos. Rezultātā asmens var iestrēgt, un var palielināties atsitiena un ievainojuma risks. Atbalstam jābūt vienādā augstumā ar galdu.

1. Noregulējiet zāģēšanas dziļumu nedaudz augstāk par apstrādājamā materiāla biezumu.

► Att.39

2. Novietojiet garenzāģēšanas ierobežotāju vēlamajā garenzāģēšanas platumā un nostipriniet to, pagriežot rokturi. Pirms zāģēšanas gareniski pārliecinieties, vai garenzāģēšanas ierobežotāja aizmugures gals ir cieši nostiprināts. Ja tas ir pietiekami cieši nostiprināts, ievērojiet sadaļā "Garenzāģēšanas ierobežotāja uzstādīšana un regulēšana" minēto kārtību.

3. Ieslēdziet darbarīku un apstrādājamo materiālu kopā ar garenzāģēšanas ierobežotāju uzmanīgi padodiet asmeni.

- (1) Ja garenzāģēšanas platums ir 150 mm un platāks, ar labo roku uzmanīgi padodiet apstrādājamo materiālu. Ar kreiso roku turiet apstrādājamo materiālu tam paredzētajā vietā pret garenzāģēšanas ierobežotāju.

► Att.40

- (2) Ja garenzāģēšanas platums ir 65 mm - 150 mm, ar bīdstieni padodiet apstrādājamo materiālu.

► Att.41: 1. Bīdstienis

- (3) Ja garenzāģēšanas platums ir mazāks par 65 mm, bīdstieni nav iespējams izmantot, jo tas atsitīsies pret asmens aizsargu. Izmantojiet palīgierobežotāju un bīdīšanas bloku. Pievienojiet palīgierobežotāju pie garenzāģēšanas ierobežotāja ar divām "C" skavām.

► Att.42: 1. Palīgierobežotājs

Padodiet apstrādājamo materiālu ar roku, kamēr tā gals atrodas apmēram 25 mm no galda priekšējās malas. Turpiniet padēvi, izmantojot bīdīšanas bloku palīgierobežotājā augšdaļā, kamēr zāģēšana ir pabeigta.

► Att.43: 1. Bīdīšanas bloks 2. Palīgierobežotājs

Šķērszāģēšana

⚠UZMANĪBU:

- Zāģējot šķērseniski, noņemiet no galda garenzāģēšanas ierobežotāju.
- Zāģējot garus vai lielus materiālus, vienmēr nodrošiniet piemērotu atbalstu galda malās. Atbalstam jābūt vienādā augstumā ar galdu.
- Vienmēr rūpējieties, lai netuvinātu rokas asmens ceļam.

Leņķveida mērinstruments

- **Att.44:** 1. Šķērszāģēšana 2. Leņķzāģēšana
3. Slīpleņķa zāģēšana 4. Kombinētā leņķzāģēšana (leņķi)

Izmantojiet leņķveida mērinstrumentu 4 veidu zāģēšanai, kā attēlota zīmējumā.

⚠UZMANĪBU:

- Uzmanīgi nostipriniet rokturi uz leņķveida mērinstrumenta.
- Novērsiet apstrādājamā materiāla un mērinstrumenta pārbīdīšanos, stingri pieturot materiālu, īpaši zāģējot leņķi.
- NEKAD neturiet un nesatveriet apstrādājamā materiāla daļu, ko paredzēts nozāģēt.
- Vienmēr starp leņķveida mērinstrumentu un zāģa asmeni noregulējiet tādu attālumu, kas nepārsniedz 15 mm.

Leņķveida mērinstrumenta nekustīgais aizturis

- **Att.45:** 1. Rokturis 2. Mazā plāksnīte 3. Skrūve nekustīgajam aizturim

Leņķveida mērinstruments ir aprīkots ar nekustīgiem aizturim 90° un 45° grādu leņķi uz kreiso un uz labo pusi, lai varētu ātri uzstādīt zāģēšanas leņķi.

Lai uzstādītu zāģēšanas leņķi, atbrīvojiet leņķveida mērinstrumenta rokturi.

Lai veiktu vēlamās uzstādījumus, paceliet mazo plāksnīti uz leņķveida mērinstrumenta. Pagrieziet leņķveida mērinstrumentu vēlamajā leņķī. Atgrieziet mazo plāksnīti uz leņķveida mērinstrumenta tās sākotnējā stāvoklī un pretēji pulksteņrādītāja virzienam cieši pieskrūvējiet rokturi.

Leņķveida mērinstrumenta lietošana

- **Att.46:** 1. Rieva 2. Leņķveida mērinstruments
3. Rokturis

Bīdīet leņķveida mērinstrumentu galda platajās rievās. Atbrīvojiet rokturi uz mērinstrumenta un savietojiet to līdz vēlamajam leņķim (0° līdz 60°). Paceliet detaļu uz augšu vienā līmenī pret ierobežotāju un uzmanīgi iebīdīet asmeni.

Koka palīgfinierējums (leņķveida mērinstruments)

► Att.47

Lai garš dēlis nesvārstītos, uz leņķveida mērinstrumenta novietojiet ierobežošanas palīgdēli. Pēc caurumu izurbšanas pieskrūvējiet ar bultskrūvēm/uzgriežņiem, tomēr stiprinājumi nedrīkst izvīzīties uz āru no finierējuma.

Darbarīka pārnēsāšana

► Att.48

Pārbaudiet, vai darbarīks ir atvienots no barošanas avota.

Pārnēsājiet darbarīku, turot to aiz zīmējumā attēlotās daļas.

⚠UZMANĪBU:

- Pirms darbarīka pārnēsāšanas vienmēr nostipriniet visas kustīgās daļas.
- Vienmēr pārbaudiet, vai pirms darbarīka pārnēsāšanas asmens aizsargs ir uzstādīts tam paredzētajā vietā.

APKOPE

⚠UZMANĪBU:

- Pirms veicat pārbaudi vai apkopi vienmēr pārliecinieties, vai instruments ir izslēgts un atvienots no barošanas.
- Nekad neizmantojiet gazoļīnu, benzīnu, atšķaidītāju, spirtu vai līdzīgus šķidrumus. Tas var radīt izbalēšanu, deformāciju vai plaisas.

Tīrīšana

Laiku pa laikam iztīriet zāģa putekļus un skaidas. Rūpīgi iztīriet asmens aizsargu un kustīgās daļas galda zāģa iekšpusē.

Eļļošana

Lai galda zāģi saglabātu vislabākajā darba kārtībā un lai nodrošinātu maksimālo ekspluatācijas laiku, laiku pa laikam ieeļļojiet vai iesmērējiet kustīgās un grozāmās daļas.

Eļļošanas vietas:

- Vītņotā vārpsta, kas paceļ asmeni
- Šarnīrs, kas groza korpusu
- Pacelšanas sliedes vārpstas uz dzinēja
- Zobrats, kas paceļ asmeni
- Virzošās sliedes garenzāģēšanas ierobežotājam
- Apakšējā galda (R) bloķēšanas sviru vārpsta
- Apakšējā galda (R) virzošā daļa

Ogles suku nomainīšana

► **Att.49:** 1. Robežas atzīme

Regulāri izņemiet un pārbaudiet ogles suku. Kad ogles sukas ir nolietojušās līdz robežas atzīmei, nomainiet tās. Turiet ogles suku tīras un pārbaudiet, vai tās var brīvi ieiet turekļos. Abas ogles sukas ir jānomaina vienlaikus. Izmantojiet tikai identiskas ogles sukas.

Ar skrūvgriezi noskrūvējiet sukas turekļa vāciņus. Lai nomainītu ogles suku, noņemiet asmens aizsargu un asmeni, tad atbrīvojiet bloķēšanas sviru, paceliet zāģa galviņu un nostipriniet to 45° slīpā leņķī. Darbarīku uzmanīgi novietojiet uz tā aizmugurējās daļas. Tad atskrūvējiet sukas turekļa vāciņu. Izņemiet nolietojušās ogles suku, ievietojiet jaunas un nostipriniet sukas turekļa vāciņus.

► **Att.50:** 1. Sukas turekļa vāks 2. Skrūvgriezis

Lai saglabātu produkta DROŠU un UZTICAMU darbību, remontdarbus, apkopi un regulēšanu uzticiet veikt tikai Makita pilnvarotam apkopes centram un vienmēr izmantojiet tikai Makita rezerves daļas.

PIEDERUMI

⚠UZMANĪBU:

- Šādi piederumi un rīki tiek ieteikti lietošanai ar šajā pamācībā aprakstīto Makita instrumentu. Jebkādu citu piederumu un rīku izmantošana var radīt traumu briesmas. Piederumu vai rīku izmantojiet tikai tā paredzētajam mērķim.

Ja jums vajadzīga palīdzība vai precīzāka informācija par šiem piederumiem, vērsieties savā tuvākajā Makita apkopes centrā.

Galda statīva komplekts (papildpiederums)

Skatiet galda zāģa statīva rokasgrāmatu, ko piegādā kopā ar galda zāģa statīvu kā papildpiederumu.

- Zāģa asmeņi ar tērauda un karbīda uzgaļiem
- Apakšējais galds (L - kreisais)
- Apakšējais galds (aizmugurē)
- Garenzāģēšanas ierobežotājs
- Leņķveida mērinstruments
- Divpusēja izliekta uzgriežņu atslēga 13-22
- Uzgriežņu atslēga 19
- Seššķautņu uzgriežņu atslēga 5
- Savienojums (pievienošanai putekļu savācējam)
- Palīglāksne
- Statīva komplekts
- Virzošā sliede

SPECIFIKACIJOS

Modelis		2704	
		(Europos šalims)	(ne Europos šalims)
Skylė velenui		30 mm	25 mm ir 25,4 mm
Pjovimo disko skersmuo		260 mm	255 mm / 260 mm
Didž. Pjovimo matmetys	90°	93 mm	91 mm / 93 mm
	45°	64 mm	63 mm / 64 mm
Greitis be apkrovos (min ⁻¹)		4 800	
Stalo dydis (I x P)		(665 mm - 1 045 mm) x (753 mm - 1 066 mm) su papildomais stalais (R) ir (galiniu)	567 mm x (753 mm - 1 066 mm) su papildomu stalu (R)
Matmenys (I x P x A) su lentele (lentelėmis), neišplėstiniai		715 mm x 753 mm x 344 mm su papildomais stalais (R) ir (galiniu)	665 mm x 753 mm x 344 mm su papildomu stalu (R)
Neto svoris		34,9 kg	29,5 kg
Saugos klasė		II, III	

- Atliekame nepertraukiamus tyrimus ir nuolatos tobuliname savo gaminius, todėl čia pateikiamos specifikacijos gali būti keičiamos be įspėjimo.
- Įvairiose šalyse specifikacijos gali skirtis.
- Svoris pagal Europos elektrinių įrankių asociacijos nustatytą metodiką „EPTA - Procedure 01/2003“

Simboliai

Žemiau yra nurodyti įrangai naudojami simboliai. Prieš naudodami įsitikinkite, kad suprantate jų reikšmę.



Skaitykite naudojimo instrukciją.



DVIGUBA IZOLIACIJA



Dėvėkite apsauginius akinius.



Nekiškite rankų ir pirštų prie geležtės.



Tik ES šalims
Neišmeskite elektrinės įrangos kartu su buitinėmis šiukšlėmis!
Pagal Europos Direktyvą 2002/96/EC dėl elektros ir elektroninės įrangos atliekų ir jos vykdymą pagal vietinius įstatymus, elektrinė įranga, pasibaigus jos eksploatacijos laikui, turi būti atskirai surenkama ir nusiųsta į ekologiškai suderinamą perdirbimo gamyklą.

Paskirtis

Šis įrankis skirtas medienai pjauti.

Elektros energijos tiekimas

Įrenginiui turi būti tiekiamas tokios įtampas elektros energija, kaip nurodyta duomenų lentelėje; įrenginys veikia tik su vienfaze kintamąja srove. Visi įrenginiai turi dvigubą izoliaciją, kaip reikalauja Europos standartas, todėl juos galima jungti į elektros lizdą neįžemintus.

Triukšmas

Tipiškas A svertinis triukšmo lygis nustatytas pagal EN61029:

Garso slėgio lygis (L_{PA}): 94 dB (A)

Garso galios lygis (L_{WA}): 107 dB (A)

Paklaida (K): 3 dB (A)

Dėvėkite ausų apsaugas

Tik Europos šalims

ES atitikties deklaracija

Mes, „Makita Corporation“ bendrovė, būdami atsakingas gamintojas, pareiškiame, kad šis „Makita“ mechanizmas(-ai):

Mechanizmo paskirtis:

Medžio pjovimo staklės

Modelio Nr./ tipas: 2704

priklauso serijinei gamybai ir

Atitinka šias Europos direktyvas:

2006/42/EC

Ir yra pagamintas pagal šiuos standartus arba normatyvinius dokumentus:

EN61029

Techninę dokumentaciją saugo mūsų įgaliotasis atstovas Europoje, kuris yra:

Makita International Europe Ltd.

Michigan Drive, Tongwell,

Milton Keynes, Bucks MK15 8JD, England

(Anglija)



Tomoyasu Kato
Direktorius
Makita Corporation
3-11-8, Sumiyoshi-cho,
Anjo, Aichi, 446-8502, JAPAN (Japonija)

Bendrieji perspėjimai darbui su elektriniais įrankiais

⚠️ **ĮSPĖJIMAS** Perskaitykite visus saugos įspėjimus ir instrukcijas. Nesilaikydami žemiau pateiktų įspėjimų ir instrukcijų galite patirti elektros smūgį, gaisrą ir/arba sunkų sužeidimą.

Išsaugokite visus įspėjimus ir instrukcijas, kad galėtumėte jas peržiūrėti ateityje.

PAPILDOMOS ĮRANKIO SAUGOS Taisyklės

SAUGOKITE ŠIAS INSTRUKCIJAS.

- Naudokite akių apsaugines priemones.
- Nenaudokite įrankio, jei aplinkoje yra degių skysčių ar dujų.
- NENAUDOKITE** įrankio su šlifavimo disku.
- Prieš naudodami, patikrinkite peilius, ar nėra įtrūkimų ar pažeidimų. Nedelsdami pakeiskite įtrūkusį arba apgadintą peilį.
- Naudokite tik gamintojo rekomenduojamas pjūklo geležtes, atitinkančias EN847-1 standartą, ir atkreipkite dėmesį į tai, kad raizymo peilis negali būti storesnis už pjūklo geležtės atliekamo pjūvio plotį ir plonesnis už geležtės korpusą.
- Visada naudokite šioje instrukcijoje rekomenduojamus priedus. Naudojant netinkamus priedus, pvz., įpjautus šlifavimo diskus, galima susižeisti.
- Rinkdamiesi pjūklo geležtes, atsižvelkite į medžiagą, kurią pjausite.
- Nenaudokite pjūklo geležčių, pagamintų iš greitapjovio plieno.
- Siekdami sumažinti skleidžiamą triukšmą, pasirūpinkite, kad geležtė būtų aštri ir švari.
- Naudokite tinkamai pagalytas pjūklo geležtes. Neviršykite maksimalaus greičio, nurodyto ant pjūklo geležtės.
- Prieš montuodami geležtę, nuvalykite veleną, junges (ypač montavimo paviršius) ir šešiakampę varželę. Blogai sumontavus geležtes, jos gali pradėti vibruoti / klibėti arba išslysti.
- Pjūklo geležtės apsauginį įtaisą ir raizymo peilį naudokite visiems veiksams, kuriems jį galima naudoti, įskaitant visas gręžimo kiauurai operacijas. Geležtės apsauginį įtaisą montuokite, vadovaudamiesi šioje instrukcijoje pateiktais nurodymais. Pjovimo kiauurai operacijos - tai operacijos, kurių metu geležtė visiškai perpjauna ruošinį, pvz., rėžiant ar pjaunant kryžmai. **JOKIU BŪDU** nenaudokite įrankio su sugedusiu geležtės apsauginiu įtaisau arba įtvirtinkite apsauginį įtaisą virve, styga ir pan. Bet kokį geležtės apsauginio įtaiso nukrypimą nuo normos reikia nedelsiant ištaisyti.
- Baigę darbą, kuriam reikėjo nuimti apsauginį įtaisą, tučtuojau uždėkite apsauginį įtaisą ir raizymo peilį atgal.
- Nepjaukite metalinių daiktų, pvz., vinių ir varžtų. Prieš dirbdami apžiūrėkite ruošinį ir išimkite visas vinius, varžtus ir kitus pašalinius daiktus.
- Prieš įjungdami jungiklį, nuimkite nuo stalo vėžliarakčius, nuopjovas ir pan.
- Darbo metu **NEGALIMA** mūvėti pirštinių.
- Žiūrėkite, kad rankos būtų kuo toliau nuo pjūklo geležtės linijos.
- JOKIU BŪDU** nestovėkite ir neleiskite stovėti kitiems pjūklo geležtės tako linijoje.
- Prieš įjungdami jungiklį, patikrinkite, ar geležtė neliečia raizymo peilio ar ruošinio.
- Prieš naudodami įrankį su ruošiniu, leiskite jam kurį laiką veikti be apkrovos. Atkreipkite dėmesį į vibraciją arba klibėjimą - tai reikštų, kad įrankis netinkamai sumontuotas, arba kad geležtė blogai subalansuota.
- Šio įrankio nenaudokite skobimui, drožimui ar išdrožių frezavimui.
- Pakeiskite stalo įdėklą, kai tik jis nusidėvės.
- JOKIU BŪDU** nereguliuokite įrankio jam veikiant. Prieš ką nors reguliuodami, išjunkite įrankį iš elektros tinklo.
- Prireikus naudokite stumiamąją lazda. Stumiamąsias lazdas **BŪTINA** naudoti pjaunant siaurus ruošinius, kad rankos ir pirštai būtų kuo toliau nuo geležtės.
- Nenaudojamos stumiamosios lazdos neišmeskite.
- Ypatingą dėmesį skirkite nurodymams, kaip sumažinti **ATATRANKĄ**. **ATATRANKA** yra staigi reakcija į pjūklo geležtės įstrigimą, sulinkimą ar išsiderinimą. Dėl **ATATRANKOS** ruošinys išmetamas iš įrankio atgal, operatoriaus link. **ATATRANKA GALI RIMTAI SUŽEISTI**. **ATATRANKOS** galite išvengti neleiddami geležtei atšipti, išlaikydami specialų įtaisą lygiagrečiai geležtei, laikydami raizymo peilį ir apsauginį geležtės įtaisą jį vietoje ir tinkamai dirbdami: nepaleisdami ruošinio, kol nenustūmėte juo iki galo už geležtės, ir nerėždami ruošinio, kuris yra susisukęs arba deformuotas, arba neturi tiesios briaunos, kuria jį būti galima stumti palei aptvarą.
- Jokių veiksmų neatlikite rankomis. „Rankomis“ reiškia laikydami arba nukreipdami ruošinį rankomis, o ne specialiu įtaisau ar kūginiu matuokliu.
- JOKIU BŪDU** netieskite rankos už ar virš pjūklo geležtės. **JOKIU BŪDU** nesiekite ruošinio, kol geležtė visiškai nesustojo.
- Stenkitės nestumti ruošinio staigiai ar greitai. Pjaudami kietus ruošinius, stumkite juos kiek galima lėčiau. Stumdami nesulenkite ir nesukite ruošinio. Jei geležtė įstringa ruošinyje, nedelsiant išjunkite įrankį. Išjunkite įrankį iš elektros tinklo. Tada pašalinkite įstrigimą.
- JOKIU BŪDU** nešalinkite nuopjovų, esančių šalia geležtės, ir nelieskite geležtės apsauginio įtaiso geležtei veikiant.
- PRIEŠ** pradėdami pjauti išmuškite klibančias šakas iš ruošinio.

32. Saugokite laidą. Jokių būdu netraukite už laido, norėdami jį ištraukti iš lizdo. Saugokite laidą nuo karščio, alyvos, vandens ir aštrių briaunų.
33. Tam tikrose darbo metu atsirandančiose dulksėse yra cheminių medžiagų, kurios sukelia vėžį, apsigimimus ir įvairius žmogaus reprodukcinės sistemos sutrikimus. Keli tokių medžiagų pavyzdžiai:
- švinas iš medžiagos, nudažytos dažais, kurių pagrindą sudaro švinas, ir
 - arsenikas bei chromas ir chemiškai apdorotos medienos.
 - Kuo dažniau dirbate tokius darbus, tuo didesnis šių medžiagų keliamas pavojus. Norėdami sumažinti tokių cheminių medžiagų keliamus pavojus, dirbkite gerai vėdinamose patalpose ir naudokite patvirtintas apsaugines priemones, pvz., kaukes, saugančias nuo dulkių, kurios specialiai sukurtos mikroskopinėms dalelėms sulaikyti.
34. Pjaudami prijunkite įrankį prie dulkių rinktuvo.
35. Apsauginį įtaisą galima pakelti nustatant ruošinį, ir kad būtų lengviau valyti. Prieš įjungdami įrankį į tinklą, būtinai patikrinkite, ar apsauginis gaubtas nuleistas ir yra viename lygyje su pjovimo stalu.

SAUGOKITE ŠIAS INSTRUKCIJAS.

SUMONTAVIMAS

Pjovimo staklių disko padėties nustatymas

- **Pav.1:** 1. Skylės skersmuo 8 mm
- **Pav.2:** 1. 6 mm standartinė poveržlė 2. 10 nr. medvaržtis, minimalus ilgis - 40 mm
- **Pav.3:** 1. 6 mm standartinė poveržlė 2. Tvirtai užveržtas 6 mm montavimo varžtas ir veržlė

Pjovimo stakles statykite gerai apšviestoje, lygiogje vietoje, kurioje galėtumėte tvirtai stovėti ir išlaikyti pusiausvyrą. Jas reikia statyti tokioje vietoje, kurioje būtų pakankamai vietos įvairių dydžių pjovinių tvarkymui. Pjovimo stakles reikia tvirtai pritvirtinti keturiais varžtais arba sraigtais prie darbostalo arba staklių stovo, naudojant staklių apačioje esančias skylės. Tvirtindami stakles ant darbostalo, patikrinkite, ar darbostatyje ir staklių apačioje esančių angų dydis sutampa, kad pro jas galėtų iškristi pjuvenos.

Jeigu įtariate, kad darbo metu staklės gali apsiversti, pasislinkti arba pajudėti, darbatalį arba staklių stovą reikia pritvirtinti prie grindų.

Priedų laikymas

- **Pav.4:** 1. Įžambaus kampo matuoklis
 - **Pav.5:** 1. Kreipiamoji plokštelė 2. Stūmimo lazda
- Įžambus matuoklis, pjovimo diskas ir veržliarakčiai gali būti laikomi kairėje pagrindo pusėje, o kreiptuvus - dešinėje pagrindo pusėje.

VEIKIMO APRAŠYMAS

▲ PERSPĖJIMAS:

- Prieš reguliuodami įrenginį arba tikrindami jo veikimą visada patikrinkite, ar įrenginys išjungtas, o laido kištukas - ištrauktas iš elektros lizdo.

Pjovimo gylio reguliavimas

- **Pav.6:** 1. Rankena

Pjovimo gylį galima reguliuoti, sukant rankenėlę. Norėdami pakelti pjovimo diską, sukite pjovimo gylio reguliavimo rankenėlę pagal laikrodžio rodyklę, o norėdami jį nuleisti - prieš laikrodžio rodyklę.

PASTABA:

- Norėdami, kad pjūvis būtų švaresnis, plonoms medžiagoms pjauti nustatykite mažo gylio nustatymą.

Įstrižo kampo nustatymas

- **Pav.7:** 1. Fiksavimo svirtelė 2. Rodyklės strėlė 3. Ranka sukamas ratas

Atsukite fiksavimo svirtelę, sukdami prieš laikrodžio rodyklę, ir sukite ranka sukamą ratą, kol nustatysite norimą kampą (0° - 45°). Nuožulnumo kampą rodo rodyklės strėlė.

Nustatę norimą kampą, užveržkite fiksavimo svirtelę, sukdami ją pagal laikrodžio rodyklę, kad nustatymas būtų išsuagotas.

▲ PERSPĖJIMAS:

- Pareguliuavę nuožulnumo kampą, patikrinkite, ar saugiai užveržėte fiksavimo svirtelę.

Tikslių kampų reguliavimas

- **Pav.8:** 1. 90° kampo reguliavimo varžtas 2. 45° kampo reguliavimo varžtas
- **Pav.9**

Įrankyje nustatyti tikslūs 90° ir 45° kampai stalo paviršiaus atžvilgiu. Norėdami patikrinti ir pareguliuoti tikslius kampus, atlikite tokius veiksmus:

Pasukite rankinį ratą iki galo. Ant stalo dėkite trikampę liniuotę ir patikrinkite, ar diskas stalo atžvilgiu yra 90° arba 45° kampu. Jeigu diskas pakreiptas kampu, parodytu A pav., pasukite reguliavimo varžtus pagal laikrodžio rodyklę; jeigu jis pakreiptas B pav. parodytu kampu, pasukite reguliavimo varžtus prieš laikrodžio rodyklę, kad nustatytumėte tikslius kampus.

Pareguliuavę tikslius kampus, nustatykite diską 90° kampu stalviršio atžvilgiu. Tada nustatykite rodyklės strėlę taip, kad jos dešinysis kraštas būtų ties 0° padala.

- **Pav.10:** 1. Rodyklės strėlė

Jungiklio veikimas

Staklėms su svirtelės tipo jungikliu

- **Pav.11:** 1. Jungiklis

▲ PERSPĖJIMAS:

- Prieš kišdami įrenginio kištuką į tinklą, visada patikrinkite, ar įrenginys išjungtas.

Įrankiai įjungti, tiesiog paspauskite svirtinį jungiklį. Norėdami sustabdyti, nuleisite svirtinį jungiklį. Atlenkiamą svirtinio jungiklio plokštelę galima užfiksuoti ant kairėje pusėje esančios sklendės uždėjus pakabinamą spynelę.

► **Pav.12:** 1. Spynelė

Staklėms su mygtuko tipo jungikliu

► **Pav.13:** 1. Jungiklis

▲ PERSPĖJIMAS:

- Prieš pradėdami darbą, patikrinkite, ar įrankį galima įjungti ir išjungti.

Norėdami įjungti įrankį, spauskite „Įjungti“ (I) mygtuką. Norėdami sustabdyti, spauskite „Išjungti“ (O) mygtuką.

Apatinis stalas (R)

► **Pav.14:** 1. Svirtelė

► **Pav.15:** 1. Apatinis stalas (R)

Šio įrankio pagrindinio stalo dešinėje įrengtas apatinis stalas (R). Norėdami naudoti apatinį stalą (R), pakelkite abi priekio dešinėje esančias svirtes ir iki galo ištraukite apatinį stalą (R), ir tada nuleiskite svirtes, kad jis būtų užtvirtintas.

Naudodami apatinį stalą (R), atsuktuvu atsukę ant jo esantį varžtą, pritvirtinkite prie jo padalų plokštelę taip, kad ji būtų pagrindinio stalo padalų plokštelės tęsinys.

► **Pav.16:** 1. Skalės plokštė 2. Varžtas

Apatinis stalas (galinis) (papildomas priedas visoms šalims, išskyrus Europos šalies rinkas)

► **Pav.17:** 1. Apatinis stalas (galinis) 2. Varžtas

Norėdami naudoti papildomą stalviršį (nugarinė dalis), atlaisvinkite po stalu kairiojoje ir dešiniojoje pusėse esančius varžtus ir dalį ištraukite iki norimo ilgio. Kai ištrauksite norimo ilgio papildomą stalviršį, saugiai priveržkite varžtus.

PASTABA:

- Naudodami apatinį stalą (galinį) kartu su projekcijos kreiptuvu, ištraukite apatinį stalą (galinį) daugiau nei 50 mm, kad jis neliestų viršutinio projekcijos kreiptuvo galo.

Apatinis stalas (L) (papildomas priedas)

► **Pav.18:** 1. Varžtas 2. Apatinis stalas (L)

Apatinį stalą (L) (papildomas priedas) galima įtaisyti kairėje stalo pusėje, norint platesnės erdvės.

SURINKIMAS

▲ PERSPĖJIMAS:

- Prieš taisydami įrenginį visada patikrinkite, ar jis išjungtas, o laido kištukas - ištrauktas iš elektros lizdo.

Įrankis iš gamyklos pristatomas su neįrengtais pjovimo disku ir disko apsauga. Sumontavimo darbai:

Ašmenų įdėjimas ir išėmimas

▲ PERSPĖJIMAS:

- Prieš montuodami arba nuimdami diską, visada patikrinkite, ar įrankis išjungtas, o kištukas ištrauktas iš elektros lizdo.
- Disko sumontavimui arba nuėmimui naudokite tik „MAKITA“ galinį raktą. Jeigu naudosite kitą įrankį, galite per daug arba ne iki galo priveržti šešiakampį varžtą. Tai gali kelti sužeidimo pavojų.
- Naudokite tokį pjovimo diską. Nenaudokite pjovimo diskų, kurie neatitinka šiose instrukcijose pateiktų charakteristikų.

Modeliu	Didžiausias skersmuo	Mažiausias skersmuo	Pjovimo disko storis	Prapjova
2704	260 mm	230 mm	1,8 mm arba mažiau	2 mm arba daugiau

▲ PERSPĖJIMAS:

- Prieš uždėdami pjovimo diską, patikrinkite disko skylės skersmenį. Pasirinkite tinkamą žiedą disko, kurį ketinate naudoti, skylės skersmeniui.

► **Pav.19:** 1. Kilpinis raktas 2. Šešiakampė veržlė 3. Veržliaraktis

Ištraukite stalo įvorę iš stalo. Išorinę tarpinę laikydami alkūniniu veržliarakčiu, kitu veržliarakčius atsukite šešiakampę veržlę, sukdami prieš laikrodžio rodyklę. Po to nuimkite išorinę tarpinę.

Uždėkite ant veleno vidinę tarpinę, žiedą, pjovimo diską, išorinę tarpinę ir šešiakampę veržlę, patikrinkdami, ar disko dantys, žiūrint iš priekio, nukreipti žemyn. Šešiakampę veržlę visada dėkite įdubusią jos pusę nukreipę link išorinės tarpinės.

► **Pav.20:** 1. Vidinis kraštas 2. Žiedas 3. Pjovimo diskas 4. Išorinė tarpinė 5. Šešiakampė veržlė

Visoms šalims, išskyrus Europos šalį

▲ PERSPĖJIMAS:

- Gamykloje ant veleno sumontuotas sidabrinis žiedas, kurio išorinis skersmuo - 25,4 mm. Žuodas žiedas, kurio išorinis skersmuo - 25 mm, yra standartinė įranga. Prieš uždėdami peilį ant veleno, visada patikrinkite, ar ant ašies užmautas tinkamas pasirinktam darbui žiedas, skirtas peilio ašies skylei.

Europos šalims

▲ PERSPĖJIMAS:

- Gamykloje tarp vidinio ir išorinio anbriaunių yra sumontuotas žiedas, kurio išorinis skersmuo - 30 mm.
- Tarpinės paviršius turi būti švarus ir ant jo neturi būti prilipusių jokių medžiagų; tai gali sukelti pjovimo disko praslydimą. Patikrinkite, ar užždėti pjovimo disko dantys nukreipti pjovimo (sukimosi) kryptimi.

Norėdami užveržti pjovimo diską, alkūniniu veržliarakčiu laikykite išorinę tarpinę, tada veržkite šešiakampę veržlę kitu veržliarakčiu, sukdami pagal laikrodžio rodyklę. PATIKRINKITE, AR SAUGIAI UŽVERŽĖTE ŠEŠIAKAMPĘ VERŽLĘ.

► **Pav.21:** 1. Kilpinis raktas 2. Veržliaraktis

▲ PERSPĖJIMAS:

- Šešiakampę veržlį laikykite veržliarakčiu atsargiai. Jeigu atleisite, veržliaraktis gali nuslysti nuo šešiakampės veržlės ir susižeisite ranką į aštrius disko kraštus.

Pjovimo disko apsaugos sumontavimas

► **Pav.22:** 1. Pjovimo disko apsauga 2. Prakirtimo peilis 3. disko apsaugos tvirtinimo dalis (stovas)

► **Pav.23:** 1. Pjovimo disko apsauga 2. Prakirtimo peilis

▲ PERSPĖJIMAS:

- Prieš uždėdami pjovimo disko apsaugą, nustatykite pjūvio gylį į aukščiausią padėtį.

Kaip sumontuoti neeuropinio tipo disko apsaugą

Nuimkite centrinį gaubtą. Įkiškite prakirtimo peilį disko apsaugos įtaisymo dalyje (stove). Pateiktu veržliarakčiu užveržkite šešiakampius varžtus (A).

Kaip sumontuoti europinio tipo disko apsaugą

► **Pav.24:** 1. Prakirtimo peilis 2. Pjovimo disko apsauga 3. Svirtelė

► **Pav.25:** 1. Pjovimo disko apsauga 2. Prakirtimo peilis

Nuimkite centrinį gaubtą. Įkiškite prakirtimo peilį disko apsaugos įtaisymo dalyje (stove). Pateiktu veržliarakčiu užveržkite šešiakampius varžtus (A). Įtaisykite pjovimo disko apsaugą į griovelį, esantį ant prakirtimo peilio. Užtvirtinkite pjovimo disko apsaugą, užsukdami ant jos esančią svirtelę.

Europietiško ir neeuropietiško tipo pjovimo disko apsaugoms

Prakirtimo peilio sumontavimo vieta nustatoma gamykloje taip, kad pjovimo diskas ir prakirtimo peilis būtų tiesioje linijoje. Tačiau jeigu jie nėra tiesioje linijoje, atlaisvinkite šešiakampius varžtus (B) ir pareguliuokite pjovimo disko apsaugos įtaisymo dalį (stovą) taip, kad prakirtimo peilis būtų tiesiai už pjovimo disko. Tada užveržkite šešiakampius varžtus (B), kad užtvirtintumėte stovą.

► **Pav.26:** 1. Diskas 2. Šie du atstumai turi būti visiškai vienodi. 3. Prakirtimo peilis 4. Šešiakampiai varžtai (B) 5. Šešiakampiai varžtai (A)

▲ PERSPĖJIMAS:

- Jeigu pjovimo diskas ir prakirtimo peilis netinkamai sulygiuoti, tokiu įrankiu bus labai pavojinga dirbti. Patikrinkite, ar tie tinkamai sulygiuoti į vieną liniją. Naudodami įrankį su netinkamai sulygiuotu prakirtimo peiliu, galite sunkiai susižeisti.
- NIEKADA nedarykite jokių reguliavimų, kai įrankis veikia. Prieš atlikdami bet kokius reguliavimo darbus, pirma atjunkite įrankį nuo maitinimo tinklo.
- Nenuimkite prakirtimo peilio.

Tarp prakirtimo peilio ir disko dantų privalo būti maždaug 4 – 5 mm tarpelis. Atsukite šešiakampius varžtus (A), atitinkamai nustatykite prakirtimo peilį ir tvirtai užveržkite šešiakampius varžtus (A). Pritvirtinkite stalo įvorę prie stalo, tada, prieš pradėdami pjauti, patikrinkite, ar pjovimo disko apsauga juda nevaržomai.

► **Pav.27:** 1. Prakirtimo peilis 2. Pjovimo disko apsauga

Prapjovos užtvartos sumontavimas ir nustatymas

► **Pav.28:** 1. Kablys 2. Rankenėlė 3. Kreipiamoji pavaža

1) Įtaisykite ir uždėkite kablį, esantį ant prapjovos kreiptuvo galo ant tolimojo kreipiklio skersinio, esančio ant stalo arba apatinio stalo (R), ir pastumkite prapjovos kreiptuvą taip, kad kreipiklio laikiklis užsikabintų už artimojo kreiptuvo skersinio.

Norėdami slinkti prapjovos kreipiklį kreiptuvo skersinio šonais, pasukite tik pusę viso galimo rankenėlės, esančios ant kreipiklio laikiklio, pasukimo.

Norėdami užtvirtinti prapjovos kreipiklį, iki galo užsukite ant kreipiklio laikiklio esančią rankenėlę.

2) Norėdami slinkti prapjovos kreipiklį kreiptuvo skersinio šonais, iki galo atgal atsukite rankenėlę, esančią ant kreipiklio laikiklio, netraukdami ant rankenėlės esančios svirtelės. 3) Norėdami jį nuimti, patraukite ant rankenėlės esančią svirtelę ir iki galo pasukite rankenėlę į priekį, tuo pačiu metu traukdami svirtelę.

Norėdami patikrinti ir užtikrinti, kad prapjovos kreipiklis yra lygiagretus pjovimo diskui, užtvirtinkite prapjovos kreipiklį 2 - 3 mm nuo pjovimo disko. Maksimaliai iškelkite pjovimo diską. Vieną disko dantį pažymėkite spalvota kreida. Išmatuokite atstumus (A) ir (B) tarp prapjovos užtvartos ir pjovimo disko. Abu matmenis matuokite nuo spalvota kreida pažymėto danties. Šie du atstumai turi būti visiškai vienodi. Jeigu prapjovos kreipiklis nelygiagretus pjovimo diskui, atlikite tokius veiksmus:

► **Pav.29:** 1. Skalė

► **Pav.30:** 1. Šešiakampiai varžtai

1. Nustatykite prapjovos kreipiklį slankioje padėtyje.
2. Numatytu veržliarakčiu atlaisvinkite du šešiakampius varžtus, esančius ant prapjovos kreipiklio.
3. Reguluokite prapjovos kreipiklį to, kol jis bus lygiagretus pjovimo diskui.
4. Užsukite ant prapjovos kreiptuvo esančią rane- knėlę, sudkami į save.
5. Užsukite du šešiakampius varžtus ant prapjovos kreipiklio.

► **Pav.31**

▲PERSPĖJIMAS:

- Patikrinkite, ar prapjovos užtvary nustatėte lygiagrečiai pjovimo diskui, kitaip gali susidaryti pavojinga atatranka.

Kai prapjovos kreipiklio negalima tvirtai pritvirtinti, nustatykite jį laikydamiesi nurodytos tvarkos.

- (1) Padėkite prapjovos kreipiklį ant stalo ir pasukite rankenėlę per pusę jos eigos (judėjimo padėtis). Veržkite varžtą (A), kol prapjovos kreipiklis bus įtvirtintas. Tada atlaisvinkite per 1/4-1/2 pasukimo.

► **Pav.32:** 1. Kreipiamoji plokštelė 2. Atlaisvinta padėtis 3. Judėjimo padėtis 4. Fiksavimo padėtis

► **Pav.33:** 1. Kreipiamoji plokštelė 2. Judėjimo padėtis 3. Varžtas (B) 4. Varžtas (A)

- (2) Iki galo priveržkite varžtą (B) ir tada atlaisvinkite maždaug per 2 pilnus sukimus.
- (3) Užfiksukite prapjovos kreipiklį iki galo pasukdami kreipiklio laikiklio rankenėlę (fiksavimo padėtis).
- (4) Patikrinkite, ar prapjovos kreipiklis gali būti įtaisytas ir pašalintas pradinėje padėtyje (atlaisvinimo padėtis).
- (5) Patikrinkite, ar prapjovos kreipiklis gali slysti tolygiai, neklibėdamas, kai rankenėlė yra pasukta per pusę savo eigos.

▲PERSPĖJIMAS:

- Neveržkite varžtų daugiau nei pirmiau pateiktose instrukcijose nurodytas veržimo momentas. Nesilaikant šio nurodymo, galima sugadinti tvirtinamas dalis.

Pakelkite prapjovos kreipiklį aukštesnį lygiai sulig pjovimo disko kraštu. Patikrinkite, ar ant kreipiklio laikiklio pažymėta linija stovi ties 0 padala. Jeigu linija nerodo 0 padalos, atlaisvinkite varžtą, esantį ant padalų plokštelės ir pareguliuokite ją.

► **Pav.34:** 1. Kreipiamoji 2. Varžtai

Prijungimas prie dulkių siurblio

Prijungus prie įrankio „Makita: dulkių siurblys arba dulkių kolektorių, darbus galima atlikti švariau.

► **Pav.35**

NAUDOJIMAS

▲PERSPĖJIMAS:

- Visuomet naudokite „pagalbinės priemonės“, pavyzdžiui stūmikius ir stūmimo trinkeles, kur rankomis arba pirštais pastumti pavojinga ir galima susižeisti į pjovimo diską.
- Ruošinys turi tvirtai gulėti ant stalo, prispaustas prie prapjovos kreipiklio. Stumdami ruošinį, niekada jo nesulenkite ir nepasukite. Jeigu ruošinys sulenktas arba perkreiptas, galima pavojinga atatranka.
- Diskui sukantis, NIEKADA nepaleiskite ruošinio. Jeigu prieš pabaigiant pjauti, ruošinį reikia paleisti, pirmiausia, tvirtai laikydami, išjunkite įrankį. Prieš paleisdami ruošinį, palaukite, kol pjovimo diskas visiškai sustos. Nesilaikant šių nurodymų, gali atsirasti pavojinga atatranka.
- NIEKADA nenuimkite nupjautų dalių, kol pjovimo diskas sukasi.
- NIEKADA neikiškite rankų arba pirštų prie pjovimo disko. Ypač būkite atsargūs, darydami nuožulinius pjūvius.
- Visada tvirtai užtvirtinkite prapjovos kreipiklį, nes kitaip gali atsirasti pavojinga atatranka.
- Pjaudami mažus ar siaurus ruošinius, visada naudokitės „pagalbinėmis priemonėmis“, pavyzdžiui, stūmimo lazdomis arba stūmimo trinkelėmis.

Pagalbinės priemonės

Stūmikai, stūmimo trinkelės arba papildomas kreiptuvas - tai „pagalbinių priemonių“ rūšys. Naudokitės jais, kad pjauti būtų saugu, o operatoriui nereikėtų liestis prie pjovimo disko.

Stūmimo lazda

► **Pav.36:** 1. Išorinė/krašto lygiagretė 2. Rankena 3. Medvaržtis 4. Suklijuoti

Naudokite 19 mm storio klijuotos faneros gabalėlį. Rankena turi būti faneros gabalėlio viduryje. Pritvirtinkite ją kljais ir mediniais varžtais, kaip parodyta. Prie faneros reikia priklijuoti mažą 9,5 mm x 8 mm x 50 mm medžio gabalėlį, kad diskas neatbukintų lazdos, jeigu operatorius netyčia į ją įpjautų. (Stūmimo lazdoje niekad nenaudokite vinių).

Pagalbinis kreipiklis

► **Pav.37:** 1. Išorinė/krašto lygiagretė

Iš 9,5 mm ir 19 mm faneros juostelių pasidarykite atsarginį kreipiklį.

Medžio apsauga (prapjovos kreipiklis)

► **Pav.38:** 1. 10 nr. medvaržčiai (pakankamai ilgi, kad pradurtų pusę dangos)

Medžio apsaugą darbo metu reikėtų naudoti tada, kai pjovimo diskas per daug priartėja prie prapjovos kreipiklio. Medžio apsauga prapjovos kreipikliui turėtų būti tokio paties dydžio kaip ir prapjovos kreipiklis. Patikrinkite, ar apsaugos apačia yra lygiai sulig stalo paviršiumi.

Prapjovimas

PERSPĖJIMAS:

- Atlikdami prapjovimą, nuimkite nuo stalo kampinį matuoklį.
- Pjaudami ilgus arba didelius ruošinius, visuomet naudokite tinkamas atramas. NELEISKITE, kad ant stalo padėta ilga lenta pajudėtų arba pasisuktų. Dėl to pjovimo diskas gali sulinkti ir gali padidėti atatrankos galimybė, taip padidindama susižeidimo pavojų. Atrama turi stovėti tokiame pačiame aukštyje kaip ir stalas.

1. Pjovimo gylį nustatykite truputį aukščiau už ruošinio storį.

► Pav.39

2. Nustatykite prapjovos kreipiklį pagal norimą prapjovos plotį ir užveržkite jį, užsukdami rankenėlę. Prieš pradėdami prapjovimą, patikrinkite, ar tvirtai užtvirtintas užpakalinis prapjovos kreipiklio galas. Jeigu jis nepakankamai gerai užtvirtintas, atlikite „Prapjovos kreipiklio sumontavimo ir reguliavimo“ skyriuje aprašytą procedūrą.

3. Įjunkite įrankį ir atsargiai stumkite ruošinį link pjovimo disko, išilgai prapjovos kreipiklio.

- (1) Kai prapjovos plotis yra 150 mm ir didesnis, atsargiai dešine ranka stumkite ruošinį. Kaire ranka laikykite ruošinį, prispaudę prie prapjovos kreipiklio.

► Pav.40

- (2) Jeigu prapjovos plotis yra 65 - 150 mm, ruošinį stumkite stūmimo lazda.

► Pav.41: 1. Stūmimo lazda

- (3) Jeigu prapjova siauresnė nei 65 mm ir stūmimo lazdos nenaudokite, nes jis atsitrengs į pjovimo disko apsaugą. Naudokite papildomą kreipiklį ir stūmimo trinkelę. Dviem „C“ formos veržtuvais pritvirtinkite papildomą kreipiklį prie prapjovos kreipiklio.

► Pav.42: 1. Pagalbinis kreiptuvas

Stumkite ruošinį ranka, kol nuo priekinio stalo krašto liks maždaug 25 mm galas. Toliau stumkite, naudodami ant pagalbinio kreipiklio viršaus esančią stūmimo trinkelę, kol pabaigsite pjauti.

► Pav.43: 1. Stūmimo trinkelė 2. Pagalbinis kreiptuvas

Skersinis pjovimas

PERSPĖJIMAS:

- Atlikdami skersinį pjūvį, nuimkite nuo stalo prapjovos kreiptuvą.
- Pjaudami ilgus arba didelius ruošinius, visuomet naudokite tinkamas atramas. Atrama turi stovėti tokiame pačiame aukštyje kaip ir stalas.
- Rankas laikykite atokiai nuo pjovimo disko.

Įžambus matuoklis

- Pav.44: 1. Skersinis pjovimas 2. Įžambusis pjovimas 3. Įstrižasis pjovimas 4. Kombinuotasis įžambusis (kampų) pjovimas

Kampinį matuoklį naudokite 4 rūšių pjūviams, kaip parodyta piešinyje.

PERSPĖJIMAS:

- Atsargiai užveržkite kampinio matuoklio rankenėlę.
- Naudokite spaustuvus ir prilaikykite ruošinį, kad jis ir matuoklis nepasislinktų, ypač pjaudami kampu.
- NIEKADA nelaikykite ir negriebkite „nupjautos“ ruošinio dalies.
- Visada pareguliuokite atstumą tarp įžambaus matuoklio glo ir pjovimo disko, kad jis neviršytų 15 mm.

Tikslus įžambus matuoklio kampas

- Pav.45: 1. Rankenėlė 2. Maža plokštelė 3. Sukite iki tikslaus nustatymo

Įžambus matuoklis turi tiksliai 90°, 45° įžambių kampų žymas į kairę ir dešinę, kad galima būtų greitai nustatyti įžambius kampus.

Norėdami pareguliuoti įžambių kampą, atlaisvinkite ant įžambaus matuoklio esančią rankenėlę. Pakelkite mažą plokštelę, esančią ant įžambaus matuoklio, kad būtų lengva nustatyti kampą. Sukite įžambių matuoklį link norimo įžambaus kampo. Sugražinkite mažą plokštelę, esančią ant įžambaus matuoklio, į jos pradinę padėtį ir tvirtai užveržkite rankenėlę, sukdami pagal laikrodžio rodyklę.

Įžambus matuoklio naudojimas

- Pav.46: 1. Griovelis 2. Įžambaus kampo matuoklis 3. Rankenėlė

Slinkite kampinį matuoklį storais stalo grioveliais. Tlaisvinkite matuoklio rankenėlę ir nustatykite norimą kampą (nuo 0° iki 60°). Atrinkite ruošinį į kreiptuvą ir atsargiai stumkite jį link pjovimo disko.

Papildoma medžio apsauga (kampinis matuoklis)

► Pav.47

Norėdami, kad ilga lenta nesvirduliuotų, prie kampinio matuoklio pritaisykite papildomą kreiptuvo plokštelę. Išgręžę skylę, priveržkite varžtais/veržlėmis, tačiau žiūrėkite, kad tvirtinimo detalės nekyšotų iš priekinės plokštės pusės.

Įrankio nešimas

► Pav.48

Patikrinkite, ar įrankis išjungtas. Neškite įrankį, laikydami jį už paveikslėlyje parodytos dalies.

PERSPĖJIMAS:

- Prieš nešdami įrankį, būtinai užtvirtinkite visas judamas dalis.
- Prieš nešdami įrankį, visada įsitinkite, ar uždėta pjovimo disko apsauga.

TECHINĖ PRIEŽIŪRA

PERSPĖJIMAS:

- Prieš apžiūrėdami ar taisydami įrenginį visada patikrinkite, ar jis išjungtas, o laido kištukas - ištrauktas iš elektros lizdo.
- Niekada nenaudokite gazolino, benzino, tirpiklio, spirito arba panašių medžiagų. Gali atsirasti išblukimų, deformacijų arba įtrūkimų.

Valymas

Retkarčiai nuvalykite pjūvenas ir drožles. Atsargiai nuvalykite pjovimo disko apsaugą ir pjovimo staklių viduje esančias judamas dalis.

Tepimas

Norėdami palaikyti gerą pjovimo staklių darbinę būklę ir užtikrinti maksimalų jų eksploatavimo laiką, judamas ir besisukancias dalis retkarčiais patepkite alyva arba tepalu.

Tepimo taškai:

- Sriegiuotas velenas, skirtas pjovimo diskui iškelti
- Šarnyras, skirtas rėmui sukti
- Iškelimo kreiptuvo velenai, esantys variklyje
- Krumpliaratis, skirtas pjovimo diskui pakelti
- Kreiptuvo bėgiai prapjovos kreipikliui
- Apatinio stalo (R) ašių fiksavimo svirtelės
- Slankioji apatinio stalo (R) dalis

Anglinių šepetėlių keitimas

► Pav.49: 1. Ribos žymė

Periodiškai išimkite ir patikrinkite anglinius šepetėlius. Pakeiskite juos, kai nusidėvi iki ribos žymės. Laikykite anglinius šepetėlius švarius ir laisvai įslenkančius į laikiklius. Abu angliniai šepetėliai turėtų būti keičiami tuo pačiu metu. Naudokite tik identiškus anglinius šepetėlius.

Jei norite nuimti šepetėlių laikiklių dangtelius, pasinaudokite atsuktuvu. Norėdami pakeisti anglinius šepetėlius, nuimkite pjovimo disko apsaugą ir pjovimo diską ir tada atlaisvinkite fiksavimo svirtelę, pakelkite pjovimo galvutę ir užtvirtinkite ją įžambiu 45° kampu. Atsargiai paguldykite įrankį ant jo užpakalinės dalies. Tada atlaisvinkite šepetėlio laikiklio dangtelį. Išimkite sudėvėtus anglinius šepetėlius, įdėkite naujus ir įtvirtinkite šepetėlių laikiklių dangtelius.

► Pav.50: 1. Šepetėlio laikiklio dangtelis 2. Atsuktuvas

Kad gamins būtą SAUGUS ir PATIKIMAS, jį taisyti, apžiūrėti ar vykdyti bet kokią kitą priežiūrą ar derinimą turi įgaliotasis kompanijos „Makita“ techninės priežiūros centras; reikia naudoti tik kompanijos „Makita“ pagamintas atsargines dalis.

PRIEDAI

PERSPĖJIMAS:

- Su šiame vadove aprašytu įrenginiu „Makita“ rekomenduojama naudoti tik nurodytus priedus ir papildomus įtaisus. Jeigu bus naudojami kito-kie priedai ar papildomi įtaisai, gali būti sužaloti žmonės. Priedus arba papildomus įtaisus naudokite tik pagal paskirtį.

Jeigu norite daugiau sužinoti apie tuos priedus, kreipkitės į artimiausią „Makita“ techninės priežiūros centrą.

Staklių stovo komplektas (priedas)

Apie staklių stovą skaitykite staklių eksploatavimo vadove, kuriame staklės pristatomos su staklių stovu kaip pasirenkamu priedu.

- Plieniniai pjovimo diskai ir diskai su karbidu padengtais galais
- Apatinis stalas (L)
- Apatinis stalas (galinis)
- Prapjovos kreipiklis
- Įžambus matuoklis
- Alkūninis veržliaraktis 13-22
- 19 nr. veržliaraktis
- 5 nr. šešiakampis veržliaraktis
- Sujungimas (dulkių kolektoriaus prijungimui)
- Pagalbinė plokštelė
- Staklių stovo komplektas
- Slankusis kreiptuvas

TEHNILISED ANDMED

Mudel		2704	
		(Euroopa riigid)	(riigid väljaspool Euroopat)
Võlliava		30 mm	25 mm ja 25,4 mm
Tera läbimõõt		260 mm	255 mm / 260 mm
Max lõikeulatus	90°	93 mm	91 mm / 93 mm
	45°	64 mm	63 mm / 64 mm
Ilma koormuseta kiirus (min ⁻¹)		4 800	
Laua suurus (P x L)		(665 mm - 1 045 mm) x (753 mm - 1 066 mm) aluslaudadega (R) ja (taga)	567 mm x (753 mm - 1 066 mm) aluslauaga (R)
Mõõtmed (P x L x K) pikendamata lauaga (laudadega)		715 mm x 753 mm x 344 mm aluslaudadega (R) ja (taga)	665 mm x 753 mm x 344 mm aluslauaga (R)
Netomass		34,9 kg	29,5 kg
Kaitseklass		□, II	

- Meie jätkuva teadus- ja arendustegevuse programmi tõttu võidakse siin antud tehnilisi andmeid muuta ilma ette teatamata.
- Tehnilised andmed võivad olla riigiti erinevad.
- Kaal vastavalt EPTA protseduurile 01/2003

Sümbolid

Järgnevalt kirjeldatakse seadmetel kasutatavaid tingimärke. Veenduge, et olete nende tähendusest aru saanud enne seadme kasutamist.



Lugege kasutusjuhendit.



KAHEKORDNE ISOLATSIOON



Kasutage kaitseprille.



Ärge asetage kätt ega sõrmi lõiketera lähedale.



Üksnes EL riikides
Ärge visake elektriseadmeid ära koos mājapidamise jäätmetega!
Vastavalt Euroopa Parlamendi ja nõukogu direktiivile 2002/96/EÜ elektri- ja elektroonikaseadmete jäätmete kohta ning selle rakendamisele kooskõlas siseriikliku õigusega, tuleb kasutatud elektriseadmed koguda kokku eraldi ja tagastada keskkonnasõbralikku jäätmete töötlemisega tegelevasse ettevõttesse.

Ettenähtud kasutamine

Tööriist on ette nähtud puidu lõikamiseks.

Toide

Tööriista võib ühendada ainult selle andmesildil näidatud pingele vastava pingega toiteallikaga ning seda saab kasutada ainult ühefaasilisel vahelduvvoolutoitel. Tööriist on vastavalt Euroopa standardile kahekordse isolatsiooniga ning seega võib seda kasutada ka ilma maandusjuhtmeta pistikupessa ühendatult.

Müra

Tüüpiline A-korrigeeritud müratase vastavalt EN61029:

Müraarõhutase (L_{pA}): 94 dB (A)

Müravõimsustase (L_{WA}): 107 dB (A)

Määramatus (K): 3 dB (A)

Kandke kõrvakaitsmeid

Ainult Euroopa riigid

EÜ vastavusdeklaratsioon

Makita korporatsiooni vastutava tootjana kinnitame, et alljärgnev(ad) Makita masin(ad):

Masina tähistus:

Töölauale paigaldatav saag

Mudeli Nr/ Tüüp: 2704

on seeriatoodang ja

Vastavad alljärgnevale Euroopa Parlamendi ja nõukogu direktiividele:

2006/42/EC

Ning on toodetud vastavalt alljärgnevale standarditele või standardiseeritud dokumentidele:

EN61029

Tehnilist dokumentatsiooni hoitakse meie volitatud

esindaja käes Euroopas, kelleks on:

Makita International Europe Ltd.

Michigan Drive, Tongwell,

Milton Keynes, Bucks MK15 8JD, Inglismaa

21.4.2010

Tomoyasu Kato

Direktor

Makita Corporation

3-11-8, Sumiyoshi-cho,

Anjo, Aichi, 446-8502, JAAPAN

Üldised elektritööriistade ohutushoiatused

⚠️ **Hoiatus** Lugege läbi kõik ohutushoiatused ja juhised. Hoiatuste ja juhiste mittejärgmine võib põhjustada elektrišokki, tulekahju ja/või tõsiseid vigastusi.

Hoidke alles kõik hoiatused ja juhised edaspidisteks viideteks.

TÄIENDAVAD TÖÖRIISTA OHUTUSNORMID

HOIDKE JUHEND ALLES.

1. Kasutage silmakaitseid.
2. Ärge kasutage tööriista tuleohtlike vedelike ega gaaside läheduses.
3. **ÄRGE KUNAGI** kasutage tööriista lihvkettaga.
4. Enne toimingute teostamist kontrollige hoolikalt, et lõiketeral poleks mõrasid või vigastusi. Asendage pragunenud või vigastatud lõiketera viivitamatult.
5. Kasutage ainult tootja poolt soovitatud saeterasid, mis vastavad EN847-1 nõuetele, ja jälgige, et lõhestusnuga ei oleks paksem kui saetera poolt tehtav sisselõige ja mitte õhem kui lõiketera.
6. Kasutage alati selles kasutusjuhendis soovitatud tarvikuid. Sobimatute tarvikute nagu lihvkettaste kasutamine võib põhjustada kehavigastuse.
7. Valige saetera vastavalt lõigatavale materjalile.
8. Ärge kasutage kiirlõiketerasest valmistatud saeterasid.
9. Mõra vähendamiseks veenduge alati, et lõiketera on terav ja puhas.
10. Kasutage õigesti teritatud saeterasid. Järgige saeterale märgitud maksimaalset kiirust.
11. Enne lõiketera paigaldamist puhastage völli, äärikud (eriti nende paigalduspind) ja kuuskantmutter. Väär paigaldus võib põhjustada lõiketera vibratsiooni/vibamise või libisemise.
12. Kasutage saetera piiret ja lõhestusnuga kõigi toimingute puhul, kus neid saab kasutada, kaasa avatud kõik läbisäägimistoimingud. Paigaldage terapiire alati vastavalt käesolevas kasutusjuhendis kirjeldatud juhistele. Läbisäägimistoimingutes läbib lõiketera töödeldavat detaili täielikult, näiteks piki- või ristisuunas läbisäägimine. **ÄRGE KUNAGI** kasutage tööriista vale terapiiridega ega kinnitage terapiiret köiega, nõõriga jne. Terapiirde mistahes reeglipärast talitlust tuleb viivitamatult korrigeerida.
13. Paigaldage piire ja lõhestusnuga tagasi otsekohe pärast piire eemaldamist nõudva toimingute teostamist.
14. Vältige sisselõikamist metallobjectidesse, nagu naelad ja kruvid. Enne toimingute teostamist kontrollige töödeldavat detaili ja eemaldage sellest kõik naelad, kruvid ja muud võõrkehad.
15. Enne lüliti sisselülitamist eemaldage laualt mutrivõtmed, mahalõigatud tükid jne.
16. **ÄRGE KUNAGI** kandke kindaid toimingute teostamisel.
17. Hoidke käed eemal saetera liikumiskiirde piirkonnast.
18. **ÄRGE KUNAGI** seiske ega lubage kellelgi teisel seista ühel joonel saetera liikumisteedega.
19. Veenduge, et lõiketera ei puuduta lõhestusnuga ega töödeldavat detaili enne lüliti sisselülitamist.
20. Enne tööriista kasutamist tegelikus töökeskkonnas laske sellel mõnda aega töötada. Jälgige vibratsiooni või vibamist, mis võib tähendada väärt paigaldust või halvasti tasakaalustatud lõiketera.
21. Tööriista ei tohi kasutada soonte lõikamiseks, astmetaoliste sisselõigete tegemiseks ega rihveldamiseks.
22. Asendage kulunud sisestuslaud.
23. **ÄRGE KUNAGI** teostage mis tahes reguleerimisi, kui tööriist töötab. Enne reguleerimiste teostamist lülitage tööriist välja.
24. Vajaduse korral kasutage tõukurkorki. Tõukurkork PEAB kasutama kitsaste töödeldavate detailide pikisäägimisel hoidmaks käsi ja sõrmi lõiketerast võimalikult kaugel.
25. Varustage ennast alati tõukurkorkiga.
26. Pöörake erilist tähelepanu TAGASILÖÖGI riski vähendamise juhistele. TAGASILÖÖK on äkiline reaktsioon kinnikiilunud, kinnipigistatud või orientatsiooni kaotanud saeterale. TAGASILÖÖK põhjustab töödeldava detaili väljatõukumist tööriistast tagasi operatori suunas. TAGASILÖÖGID VÕIVAD PÕHJUSTADA TÕSISE KEHAVIGASTUSE. Vältige TAGASILÖÖKE, kasutades teravaid lõiketerasid, hoides juhtjoonlauda paralleelselt lõiketeraga, hoides lõhestusnuga ja terapiiret omal kohal ja töökorras, mitte vabastades töödeldavat detaili enne, kui te pole seda kogu tee ulatuses lõiketera alt läbi tõuganud, ja mitte lõigates töödeldavat detaili, mis on väändunud või kõverdunud või millel puudub sirge serv juhtimaks seda piki juhtjoonlauda.
27. Ärge teostage ühtegi toimingut ainult käte abil. Ainult käte abil tähendab oma käte kasutamist töödeldava detaili toetamiseks või juhtimiseks juhtjoonlauda või nurgamõõteriista kasutamise asemel.
28. **ÄRGE KUNAGI** sirutage kätt ümber ega üle saetera. **ÄRGE KUNAGI** sirutage kätt töödeldava detaili järele enne, kui saetera on täielikult seiskunud.
29. Vältige järsku, kiiret etteandmist. Rasketes töödeldavate detailide lõikamisel andke neid ette võimalikult aeglaselt. Ärge painutage ega väänake töödeldavaid detaile nende etteandmisel. Kui lõiketera seiskub või kiilub kinni töödeldavas detailis, lülitage tööriist viivitamatult välja. Tõmmake tööriista toitejuhe voolukontaktist välja. Seejärel kõrvaldage ummistus.
30. **ÄRGE KUNAGI** eemaldage mahalõigatud tükke lõiketera läheduses ega puudutage terapiiret, kui lõiketera töötab.

31. ENNE lõikamist koputage töödeldavast detailist välja mis tahes lahtised oksakohad.
32. Ärge kahjustage toitejuhet. Ärge kunagi siku- tate toitejuhet pistikupesast välja. Vältige toitejuhtme kokkupuudet kuumuse, õli, vee ja teravate servadega.
33. Töö käigus tekkinud tolm võib sisaldada kemi- kaale, mida teatakse kui vähki-, sünnidefekte või muid soo jätkamisega seotud kahjustusi tekita- vaid. Mõned näited selliste kemikaalide kohta on:
 - plii pliipõhise värviga kaetud materja- list ja
 - arseen ning kroom keemiliselt töödeldud saematerjalist.
 - Olenevalt sillest, kui sageli te seda tüüpi tööga kokku puutute, varieerub ka riski suurus haigestuda eespool nimetatud haigustesse, mida nende ainete mõju all viibimine võib põhjustada. Nimetatud kemikaalide mõju vähendamiseks: töö- tage hästi ventileeritavas piirkonnas ja kasutage heakskiidetud kaitsevahendeid, nagu näiteks spetsiaalselt mikroosakeste filtreerimiseks mõeldud tolmumaskke.
34. Saagimisel ühendage tööriist tolmukogumisseadmega.
35. Piiret saab kergitada töödeldava detaili pai- galduse ajal ja puhastamise hõlbustamiseks. Enne tööriista vooluvõrku ühendamist veen- duge alati, et piirdekate on all ja ühetasaselt vastu saagimislauda.

HOIDKE JUHEND ALLES.

PAIGALDAMINE

Sae paigutamine

- ▶ **Joon.1:** 1. Augu läbimõõt 8 mm
- ▶ **Joon.2:** 1. 6 mm standardseib 2. 40 mm pikkune puidukruvi nr 10
- ▶ **Joon.3:** 1. 6 mm standardseib 2. 6 mm paigaldus- polt ja mutter, keerata korralikult kinni

Paigutage lausaag hästi valgustatud ja loodis pinnale, kus teil on kindel jalgealune ja saate tasakaalu hoida. See tuleks paigaldada kohta, kus on töödeldavate detailide käsitlemiseks piisavalt ruumi. Lauasaag tuleb kinnitada nelja kruvi või poldi abil tööpingi või lauasa- e tugilaua külge, kasutades lauasa- e põhjal olevaid ava- sid. Lauasa- e kinnitamisel tööpingi külge veenduge, et tööpingil on lauasa- e põhjal oleva avaga samasuurune ava, mille kaudu saab saepuru eemaldada. Kui lauasaag kipub töö käigus ümber minema, libisema või liikuma, tuleb tööpink või lauasa- e tugilaud kinnitada põranda külge.

Tarvikute hoidmine

- ▶ **Joon.4:** 1. Eerungimõõdik
 - ▶ **Joon.5:** 1. Lõikejuhtjoonlaud 2. Tõukevarras
- Eerungimõõdikut, tera ja mutrivõtmeid saab hoida aluse vasakpoolsel küljel ning piiret aluse parempoolsel küljel.

FUNKTSIONAALNE KIRJELDUS

⚠ETTEVAATUST:

- Kandke alati hoolt selle eest, et tööriist oleks enne reguleerimist ja kontrollimist välja lülitatud ja vooluvõrgust lahti ühendatud.

Lõikesügavuse reguleerimine

- ▶ **Joon.6:** 1. Käepide

Lõikesügavust võib reguleerida käepidet keerates. Tera tõstmiseks keerake käepidet päripäeva või langetami- seks vastupäeva.

MÄRKUS:

- Õhukeste materjalide lõikamiseks kasutage madalat lõikesügavust, et lõige tuleks puhtam.

Kaldenurga reguleerimine

- ▶ **Joon.7:** 1. Lukustushoob 2. Noolosuti 3. Kruviratas
- Lõdvendage lukustushooba vastupäeva ja keerake kru- viratast soovitud nurga (0°-45°) saamiseni. Kaldenurka näitab noolosuti. Pärast soovitud nurga saamist keerake lukustushoob seadistuse fikseerimiseks kinni.

⚠ETTEVAATUST:

- Pärast kaldenurga reguleerimist keerake lukus- tushoob kindlasti korralikult kinni.

Astmete reguleerimine

- ▶ **Joon.8:** 1. 90° reguleerkruvi 2. 45° reguleerkruvi
- ▶ **Joon.9**

Tööriistal on astmed laua pinna suhtes 90° ja 45° nurga all. Astmete kontrollimiseks ja reguleerimiseks toimige järgmiselt: Keerake kruviratast nii palju kui võimalik. Asetage lauale kolmnurkjoonlaud ja kontrollige, kas tera on laua pinna suhtes 90° või 45° nurga all. Kui tera on joonisel A kujutatud nurga all, keerake reguleerkruve astmete reguleerimiseks päripäeva; kui see on joonisel B kujuta- tud nurga all, keerake reguleerkruve vastupäeva. Pärast astmete reguleerimist seadke tera laua pinna suhtes 90° nurga alla. Seejärel reguleerige noolo- sutiit nii, et selle parempoolne serv oleks kohakuti 0° astmega.

- ▶ **Joon.10:** 1. Noolosuti

Lüliti funktsioneerimine

Hooplüliti kohta

- ▶ **Joon.11:** 1. Lüliti

⚠ETTEVAATUST:

- Kandke enne tööriista vooluvõrku ühendamist alati hoolt selle eest, et tööriist oleks välja lülitatud.

Tööriista käivitamiseks tõstke hooblüliiti. Seiskamiseks langetage hooblüliiti.

Hingega hooblüliiti saab lukustada, tõmmates läbi selle vasakpoolsel küljel oleva haagi tabaluku.

► **Joon.12:** 1. Tabalukk

Nupplüliiti kohta

► **Joon.13:** 1. Lüliiti

⚠ETTEVAATUST:

- Enne töö alustamist veenduge, et tööriista saab lülitada sisse ja välja.

Tööriista käivitamiseks vajutage sisselülitusnuppu ON (I).

Seiskamiseks vajutage väljalülitusnuppu OFF (O).

Aluslaud (R)

► **Joon.14:** 1. Hoob

► **Joon.15:** 1. Aluslaud (R)

Tööriista on pealauast paremal aluslaud (R). Aluslaua (R) kasutamiseks tõstke mõlemad ees paremal asuvad hoovad, tõmmake laud (R) lõpuni välja ning siis langetage hoovad selle fikseerimiseks.

Aluslaua (R) kasutamisel paigutage skaalaplaat aluslaua pärast sellel oleva kruvi lahtikeeramist kruvikeerajaga abil nii, et see asetuks pealaua oleva skaalaplaadi järele.

► **Joon.16:** 1. Skaalaplaat 2. Kruvi

Aluslaud (taga) (teistes Euroopa riikides lisatarvik)

► **Joon.17:** 1. Aluslaud (taga) 2. Kruvi

Aluslaua (tagumine) kasutamiseks keerake parem – ja vasakpoolsed laua all olevad kruvid lahti ning tõmmake aluslaud tagurpidi soovitud pikkuses välja. Pärast soovitud pikkuse reguleerimist, keerake kruvid korralikult kinni.

MÄRKUS:

- Aluslaua (taga) kasutamisel samaaegselt piirdega tõmmake aluslaud (taga) vähemalt 50 mm ulatuses välja, et see ei tabaks piirde ülaosa.

Aluslaud (L) (lisatarvik)

► **Joon.18:** 1. Kruvi 2. Aluslaud (L)

Laiema pinna saamiseks võib laua vasakpoolsel küljel paigaldada aluslaua (L) (lisatarvik).

KOKKUPANEK

⚠ETTEVAATUST:

- Kandke alati enne tööriista mingite tööde teostamist hoolt selle eest, et see oleks välja lülitatud ja vooluvõrgust lahti ühendatud.

Tööriista tarnimisel tehases ei ole saetera ja terakaitse paigaldatud. Pange kokku järgmiselt:

Saelehe paigaldamine ja eemaldamine

⚠ETTEVAATUST:

- Kandke alati hoolt selle eest, et tööriist oleks enne tera paigaldamist või eemaldamist välja lülitatud ja vooluvõrgust lahti ühendatud.
- Tera paigaldamiseks ja eemaldamiseks kasutage ainult kaasasolevat Makita otsmutrivõtit. Vastasel korral võib kuuskantpoldi kinnitus osutuda liiga tugevaks või jääda ebapiisavaks. See võib tekitada vigastusi.
- Kasutage järgmist saetera. Ärge kasutage saeteri, mis ei vasta käesolevates juhistes toodud parameetritele.

Mudel	Max läbimõõt	Min läbimõõt	Tera paksus	Sisselõige
2704	260 mm	230 mm	1,8 mm või alla selle	2 mm või üle selle

⚠ETTEVAATUST:

- Enne tera paigaldamist kontrollige selle teljeava läbimõõtu. Kasutage alati õiget rõngast, mis vastab tera teljeavale.

► **Joon.19:** 1. Nihkmutrivõti 2. Kuuskantmutter 3. Mutrivõti

Eemaldage laua küljest selle vahetükk. Hoidke välimist flanši nihkmutrivõtmega ning keerake kuuskantmutter mutrivõtmega abil vastupäeva lahti. Seejärel eemaldage välimine flanš.

Paigaldage sisemine flanš, rõngas, saetera, välimine flanš ja kuuskantmutter võlli otsa, veendudes, et terahambad on suunatud alla laua esikülje poole. Paigaldage kuuskantmutter alati nii, et selle süvendiga külg jääb välimise flanši poole.

► **Joon.20:** 1. Sisemine flanš 2. Rõngas 3. Saetera 4. Välimine flanš 5. Kuuskantmutter

Kõik riigid väljaspool Euroopat

⚠ETTEVAATUST:

- Tehases on võllile paigaldatud 25,4 mm välisläbimõõduga hõberõngas. Standardvarustuses on 25 mm välisläbimõõduga must rõngas. Enne tera asetamist võllile veenduge alati, et võllile on paigaldatud antud tera võllilavale sobiv rõngas.

Euroopa riigid

⚠ETTEVAATUST:

- Tehases on sisemise ja välimise flanši vahele paigaldatud 30 mm välisläbimõõduga rõngas.
- Puhastage flanši pind mustusest ja muust sellele kinnitunud ollusest, mis võib põhjustada tera libisemist. Veenduge, et tera on paigaldatud selliselt, et hambad on joondatud lõikesuunas (põrlemissuunas).

Tera kohalefikseerimiseks hoidke välimist flanši nihkmutrivõtmega, seejärel keerake kuuskantmutter mutrivõtmega abil päripäeva kinni. KEERAKE KUUSKANTMUTTER KINDLASTI KORRALIKULT KINNI.

► **Joon.21:** 1. Nihkmutrivõti 2. Mutrivõti

⚠ETTEVAATUST:

- Hoidke kuuskantmutrit mutrivõtmega kindlasti korralikult kinni. Kui käsi libiseb, võib mutrivõti kuuskantmutri küljest lahti tulla ja käsi võib sattuda vastu tera teravaid servi.

Terakaitsme paigaldamine

- **Joon.22:** 1. Terakaits 2. Lõhestusnuga 3. terakaitsme paigaldusosa (tugi)
- **Joon.23:** 1. Terakaits 2. Lõhestusnuga

⚠ETTEVAATUST:

- Enne terakaitsme paigaldamist reguleerige lõikesügavus maksimumkõrgusele.

Mitte-Euroopa tüüpi terakaitsme kohta

Eemaldage keskmine kate. Sisestage lõhestusnuga terakaitsme paigaldusosasse (tugi). Keerake kuuskantpoldid (A) kaasasoleva mutrivõtme abil kinni.

Euroopa tüüpi terakaitsme kohta

- **Joon.24:** 1. Lõhestusnuga 2. Terakaits 3. Hoob
- **Joon.25:** 1. Terakaits 2. Lõhestusnuga

Eemaldage keskmine kate. Sisestage lõhestusnuga terakaitsme paigaldusosasse (tugi). Keerake kuuskantpoldid (A) kaasasoleva mutrivõtme abil kinni. Asetage terakaits lõhestusnoal olevasse soonde. Kinnitage terakaits, nihutades sellel olevat hooba.

Nii Euroopa kui mitte-Euroopa tüüpi terakaitsme kohta

Lõhestusnuga on tehases paika seatud nii, et tera ja lõhestusnuga on sirgjoonel. Kui need pole aga sirgjoonel, keerake lahti kuuskantpoldid (B) ja reguleerige terakaitsme paigaldusosa (tugi) nii, et lõhestusnuga oleks joondatud otse tera taha. Seejärel keerake kuuskantpoldid (B) toe fikseerimiseks kinni.

- **Joon.26:** 1. Saeleht 2. Nimetatud kaks vahemaad peavad olema võrdsed. 3. Lõhestusnuga 4. Kuuskantpoldid (B) 5. Kuuskantpoldid (A)

⚠ETTEVAATUST:

- Kui tera ja lõhestusnuga pole korralikult joondatud, võib töö käigus esineda tera ohtlikku kinnijäämist lõikesoonde. Veenduge, et need on korralikult joondatud. Kui kasutate korralikult joondamata lõhestusnoaga tööriista, riskite raskete kehavigastustega.
- **ÄRGE KUNAGI** reguleerige töötavat tööriista. Enne reguleerimist ühendage tööriist vooluvõrgust lahti.
- Ärge eemaldage lõhestusnuga.

Lõhestusnoga ja terahammaste vahele peab jääma ligikaudu 4–5 mm vahe. Keerake kuuskantmutrid (A) lahti, reguleerige lõhestusnuga vastavalt vajadusele ja keerake kuuskantmutrid (A) korralikult kinni. Pange laua vahetükk laua külge, seejärel kontrollige enne lõikama asumist, kas terakaits töötab sujuvalt.

- **Joon.27:** 1. Lõhestusnuga 2. Terakaits

Piirde paigaldamine ja reguleerimine

- **Joon.28:** 1. Konk 2. Nupp 3. Juhtrööbas

1) Asetage piirde otsas olev konk laua või aluslaua (R) kaugemasse juhtrööpassse ning paigaldage piire ja lükake see ette, nii et piirde hoidik haakub lähima juhtrööbaga.

Piirde külgsuunaliseks libistamiseks juhtrööpal nihutage piirde hoidikule olev nupp poolele teele.

Piirde fikseerimiseks pöörake täielikult piirde hoidikule olevat nuppu.

2) Piirde külgsuunaliseks libistamiseks juhtrööpal nihutage piirde hoidikule olev nupp lõpuni tagasi, tõmbamata seejuures nupul olevat hooba.

3) Eemaldamiseks tõmmake nupul olevat hooba ja viige nupp hooba tõmmates lõpuni ette.

Veendumaks, et piire asetseb teraga paralleelselt, fikseerige piire 2–3 mm kaugusele terast. Tõstke tera üles maksimumkõrgusele. Märgistage üks terahammaste pliatsiga. Mõõdistage vahemaa (A) ja (B) piirde ning tera vahel. Mõlemad mõõdud võtke pliatsiga märgitud terahamba alusel. Nimetatud kaks mõõtu peavad olema ühesugused. Kui piire pole teraga paralleelne, toimige järgmiselt:

- **Joon.29:** 1. Skaala

- **Joon.30:** 1. Kuuskantpoldid

1. Asetage piire libisevasse asendisse.
2. Keerake kaasasoleva kuuskantvõtme abil lahti kaks piirdel olevat kuuskantpolti.
3. Reguleerige piiret, kuni see asetub teraga paralleelselt.
4. Nihutage piirdel olev nupp alla operaatori suunas.
5. Keerake piirde kaks kuuskantpolti kinni.

- **Joon.31**

⚠ETTEVAATUST:

- Reguleerige piire teraga kindlasti paralleelselt, vastasel korral võib esineda ohtlikke tagasilööke.

Kui piiret ei saa kindlalt kinnitada, reguleerige seda järgnevat protseduuri järgides.

- (1) Seadke piire lauale ja seejärel pöörake nuppu poole peale (liikumispositsioon). Kinnitage kruvi (A) kuni piire ei liigu. Seejärel keerake lahti 1/4 kuni 1/2 pööret.

- **Joon.32:** 1. Lõikejuhtjoonlaud 2. Avatud asend 3. Liikumispositsioon 4. Lukustuspositsioon

- **Joon.33:** 1. Lõikejuhtjoonlaud 2. Liikumispositsioon 3. Kruvi (B) 4. Kruvi (A)

- (2) Keerake kruvi (B) täiesti kinni ja seejärel lõdvendage umbes 2 pööret.
- (3) Lukustage piire piirdehoidja nuppu täielikult pöörates (lukustuspositsioon).
- (4) Veenduge, et piiret saaks paigaldada ja eemaldada algses positsioonis (vabastuspositsioon).
- (5) Veenduge, et piiret saab sujuvalt, väärnata libistada kui nupp on liikumise poole peal.

⚠ETTEVAATUST:

- Olge hoolikas ning ärge kinnitage kruvisid tugevamini kui ülal toodud juhises määratud. Vastasel korral võite kinnitatud osi vigastada.

Tooge piire üles vastu tera külge ja sellega ühele joonele. Veenduge, et piirde hoidikul olev juhik osutab 0 kraadile. Kui juhik ei osuta 0 kraadile, keerake lahti skaalaplaadil olev kruvi ja reguleerige skaalaplatti.

► **Joon.34:** 1. Juhik 2. Kruvid

Ühendamine tolmuimejaga

Ühendades tööriista Makita tolmuimejaga või tolmu-
goriga, saab töötada puhtamalt.

► **Joon.35**

TÖÖRIISTA KASUTAMINE

⚠ETTEVAATUST:

- Kui on oht, et käed või sõrmed võivad tera lähedusse sattuda, kasutage alati abivahendeid - tõukevardaid ja tõukeklotse.
- Hoidke töödeldavat detaili kindlalt laua ja piirde või eeringimõõdiku abil. Ärge seda etteandmisel painutage ega väänake. Kui töödeldav detail on paindes või väändes, võib esineda ohtlikke tagasilööke.
- **ÄRGE KUNAGI** tõmmake detaili tagasi, kui tera pöörleb. Kui on tarvidus eemaldada töödeldav detail enne lõike lõpetamist, siis lülitage esmalt tööriist välja, hoides töödeldavat detaili samal ajal tugevasti kinni. Enne töödeldava detaili eemaldamist oodake tera täieliku seiskumiseni. Vastasel korral võib esineda ohtlikke tagasilööke.
- **ÄRGE KUNAGI** eemaldage äralõigatud materjali tera pöörlemise ajal.
- **ÄRGE KUNAGI** pange oma käsi või sõrmi saetera teele. Eriti ettevaatlik olge kaldõigete puhul.
- Fikseerige piire alati korralikult, vastasel korral võib esineda ohtlikke tagasilööke.
- Kasutage väikeste või õhukeste detailide lõikamisel alati abivahendeid nagu tokid ja plokid.

Abivahendid

Nimetatud abivahenditeks on tõukevardad, tõukeklotsid ja lisapiire. Nende kasutamisel väldib tööriista kasutaja lõigete teostamisel oma kehaosade kokkupuudet teraga.

Tõukeklots

► **Joon.36:** 1. Esikülje/servaga paralleelne 2. Käepide 3. Puidukruvi 4. Liimige kokku

Kasutage 19 mm vineeritükki.

Käepide peaks paiknema vineeritüki keskjoonel. Kinnitamiseks kasutage liimi ja puidukruvisid, nagu näidatud. Vineeri külge tuleb alati liimida väike puidutükk mõõtudega 9,5 mm x 8 mm x 50 mm, et hoida tera nürinemise eest, kui operaator kogemata klotsi lõikab. (Ärge kasutage tõukeklotsi valmistamisel kunagi naelu.)

Lisapiire

► **Joon.37:** 1. Esikülje/servaga paralleelne

Valmistage lisapiire 9,5 mm ja 19 mm vineeritükkidest.

Puitääris (piire)

► **Joon.38:** 1. Puidukruvid nr 10 (piisavalt pikad, et ulatuda poolest saadik äärisesse)

Töödeks, mille puhul tera tuleb piirde lähedale, tuleks kasutada puitäärist. Piirde puitääris peaks olema piirdega ühesuurune. Veenduge, et äärise põhi on laua pinnaga ühel joonel.

Ribastamine

⚠ETTEVAATUST:

- Ribastamisel eemaldage laualt eeringimõõdik.
- Pikkade või suurte detailide lõikamisel kasutage laua taga alati sobivaid tugesid. **ÄRGE** laske pikal latil töölaua peal liikuda ega nihkuda. Selle tõttu võib tera kinni kiiluda, mis suurendab tagasilöögi ja kehavigastuste ohtu. Tugi peaks olema lauaga ühekõrgune.

1. Reguleerige lõikesügavus töödeldava detaili paksumest pisut kõrgemaks.

► **Joon.39**

2. Asetage piire soovitud ribalaiusele ja fikseerige pidet nihutades kohale. Enne lõikama asumist veenduge, et piirde tagaosa on korralikult fikseeritud. Kui see ei ole piisavalt hästi fikseeritud, järgige lõigus pealkirjaga „Piirde paigaldamine ja reguleerimine“ kirjeldatud protseduuri.

3. Lülitage tööriist sisse ja hakake ettevaatlikult materjali saele piki piiret ette andma.

- (1) Kui ribastamislaius on üle 150 mm, kasutage detaili söötmiseks ettevaatlikult paremat kätt. Vasaku käega hoidke materjali vastu piiret.

► **Joon.40**

- (2) Kui riba laius on 65-150 mm, kasutage etteandmiseks tõukevarrast.

► **Joon.41:** 1. Tõukevarras

- (3) Kui riba laius on alla 65 mm, ei saa tõukevarrast kasutada, sest see puutuks vastu terakaitset. Kasutage lisapiiret ja tõukeklotsi. Kinnitage lisapiire kahe „C“ klambriga piirde külge.

► **Joon.42:** 1. Lisapiire

Lükake detaili käega, kuni selle ots on umbes 25 mm kaugusel laua esiservast. Jätka etteandmist tõukeklotsi abil lisapiirde kohalt, kuni materjal on läbi saetud.

► **Joon.43:** 1. Tõukeklots 2. Lisapiire

Ristilõikamine

⚠ETTEVAATUST:

- Ristilõike tegemisel eemaldage laualt piire.
- Pikkade või suurte detailide lõikamisel kasutage laua külgedel alati sobivaid tugesid. Tugi peaks olema lauaga ühekõrgune.
- Hoidke käed tera liikumistest alati eemal.

Eerungimõõdik

- **Joon.44:** 1. Ristilõikamine 2. Kaldlõikamine
3. Fassetilõikamine 4. Liit-kaldlõikamine (nurgad)

Kasutage eerungimõõdikut joonisel näidatud 4 tüüpi lõigete tegemiseks.

⚠ETTEVAATUST:

- Kinnitage hoolikalt eerungimõõdikul olev nupp.
- Vältige lõigatava materjali ja mõõdiku roomet, kasutades korralikku fikseerimist, eriti nurga all lõikamisel.
- ÄRGE KUNAGI hoidke ega haarake kinni töödeldava materjali ärälõigatavast osast.
- Reguleerige alati eerungimõõdiku otsa ja saetera vahekaugust, et see ei ületaks 15 mm.

Eerungimõõdiku aste

- **Joon.45:** 1. Nupp 2. Väike plaat 3. Astmekruvi

Kaldenurkade kiireks seadistamiseks on eerungimõõdikul astmed 90°, 45° parem- ja vasakpoolsete kaldnurkade juures.

Kaldenurga seadmiseks keerake lahti eerungimõõdikul olev nupp.

Tõstke eerungimõõdikul olev väike plaat vabaseadistuseks. Keerake eerungimõõdik soovitud kaldenurga alla. Viige väike plaat eerungimõõdikul algasendisse ja keerake nupp päripäeva korralikult kinni.

Eerungimõõdiku kasutamine

- **Joon.46:** 1. Soon 2. Eerungimõõdik 3. Nupp

Libistage eerungimõõdik laua jämedatesse soontesse. Keerake mõõdikul olev nupp lahti ja seadke mõõdik soovitud nurga alla (0°-60°). Seadke töödeldav materjal ühetasaselt vastu piiret ja söötkte ettevaatlikult tera suunas.

Täiendav puitääris (eerungimõõdik)

- **Joon.47**

Et vältida pika saematerjali võnkumist, kinnitage eerungimõõdik koos täiendava piirdelauaga. Puurige augud, kinnitage poltide/mutritega, pidades seejuures silmas, et kinnitusvahendid ei tohi piirde pealispinnast välja ulatuda.

Tööriista kandmine

- **Joon.48**

Veenduge, et tööriist on vooluvõrgust lahutatud. Kandmisel hoidke tööriista joonisel näidatud kohast.

⚠ETTEVAATUST:

- Enne tööriista kandmist fikseerige kõik liikuvad osad.
- Enne tööriista kandmist veenduge alati, et terakaitse on paigas.

HOOLDUS

⚠ETTEVAATUST:

- Kandke alati enne kontroll- või hooldustoimingute teostamist hoolt selle eest, et tööriist oleks välja lülitatud ja vooluvõrgust lahti ühendatud.
- Ärge kunagi kasutage bensiini, vedeldit, alkoholi ega midagi muud sarnast. Selle tulemuseks võib olla luitumine, deformatsioon või pragunemine.

Puhastamine

Aeg-ajalt puhastage tööriista saepurust ja -laastudest. Puhastage hoolikalt terakaitse ja liikuvad osad lauasae sisemuses.

Õlitamine

Et hoida saetera igati heas töökorras ning kindlustada võimalikult pikk kasutusiga, tuleb liikuvaid ja pöörlevaid osi aeg-ajalt õlitada või määrada.

Määrdesõlmed:

- Keermestatud võll tera tõstmiseks
- Liigend karkassi pööramiseks
- Tõste juhtvõllid mootoril
- Ülekandemehhanism tera tõstmiseks
- Piirde juhtroõpad
- Aluslaua (R) lukustushoobade võll
- Aluslaua (R) libiseva osa

Süsiharjade asendamine

- **Joon.49:** 1. Piirmärgis

Võtke välja ja kontrollige süsiharju regulaarselt. Asendage süsiharjad uutega, kui need on kulunud piirmärgini. Hoidke süsiharjad puhtad, nii on neid lihtne oma hoidikutesse libistada. Mõlemad süsiharjad tuleb asendada korraga. Kasutage ainult identseid süsiharju. Kasutage harjahoidikute kaante eemaldamiseks kruvi-keerajat. Süsiharjade vahetamiseks eemaldage terakaitse ja tera ning seejärel lõdvendage lukustushooba, kallutage sae otsa ja fikseerige see 45° kaldenurga alla. Asetage tööriist ettevaatlikult tagurpidi. Seejärel keerake lahti harjahoidiku kaas. Eemaldage ärakulunud süsiharjad, paigaldage uued ning kinnitage harjahoidikute kaaned tagasi kohale.

- **Joon.50:** 1. Harjahoidiku kate 2. Kruvikeeraja

Toote OHUTUSE ja TÕÕKINDLUSE tagamiseks tuleb vajalikud remonttööd, muud hooldus- ja reguleerimistööd lasta teha Makita volitatud teeninduskeskustes. Alati tuleb kasutada Makita varuosi.

TARVIKUD

⚠ETTEVAATUST:

- Neid tarvikuid ja lisaseadiseid on soovitatav kasutada koos Makita tööriistaga, mille kasutamist selles kasutusjuhendis kirjeldatakse. Muude tarvikute ja lisaseadiste kasutamisega kaasneb vigastada saamise oht. Kasutage tarvikuid ja lisaseadiseid ainult otstarvetel, milleks need on ette nähtud.

Saate vajadusel kohalikust Makita teeninduskeskusest lisateavet nende tarvikute kohta.

Töölaua komplekt (tarvik)

Töölauale paigaldatava saega lisatarvikuna kaasas oleva tugilaua kohta vaadake kasutusjuhendit.

- Teras- ja karbiidotsaga saeterad
- Aluslaud (L)
- Aluslaud (taga)
- Piire
- Eerungimõõdik
- Nihkmutrivõti 13-22
- Mutrivõti nr 19
- Kuuskantvõti nr 5
- Liitmik (ühendamiseks tolmu koguriga)
- Tugiplaat
- Tugilaua komplekt
- Liugjuhik






ТЕХНИЧЕСКИЕ ХАРАКТЕРИСТИКИ

Модель		2704	
		(для для европейских стран)	(для остальных стран)
Отверстие под шпindelь		30 мм	25 мм или 25,4 мм
Диаметр полотна		260 мм	255 мм / 260 мм
Макс. Режущие возможности	90°	93 мм	91 мм / 93 мм
	45°	64 мм	63 мм / 64 мм
Число оборотов без нагрузки (мин ⁻¹)		4 800	
Размер стола (Д x Ш)		(665 мм - 1 045 мм) x (753 мм - 1 066 мм) с вспомогательным столом (R) и задним	567 мм x (753 мм - 1 066 мм) с вспомогательным столом (R)
Размеры (Д x Ш x В) с убранными столами		715 мм x 753 мм x 344 мм с вспомогательным столом (R) и задним	665 мм x 753 мм x 344 мм с вспомогательным столом (R)
Вес нетто		34,9 кг	29,5 кг
Класс безопасности		□, II	

- Благодаря нашей постоянно действующей программе исследований и разработок, указанные здесь технические характеристики могут быть изменены без предварительного уведомления.
- Технические характеристики могут различаться в зависимости от страны.
- Масса в соответствии с процедурой EPTA 01/2003

Символы

Ниже приведены символы, используемые для электроинструмента. Перед использованием убедитесь, что вы понимаете их значение.

	Прочитайте руководство пользователя.
	ДВОЙНАЯ ИЗОЛЯЦИЯ
	Надевайте защитные очки.
	Держите руки и пальцы на расстоянии от полотна.
	Только для стран ЕС Не утилизируйте данный электроинструмент вместе с бытовыми отходами! В рамках соблюдения Европейской Директивы 2002/96/ЕС по утилизации электрического и электронного оборудования и ее применения в соответствии с национальным законодательством, электрооборудование в конце срока своей службы должно утилизироваться отдельно и передаваться для его утилизации на предприятие, соответствующее применяемым правилам охраны окружающей среды.

Использование по назначению

Данный инструмент предназначен для распиливания дерева.

Источник питания

Данный инструмент должен подключаться к источнику питания с напряжением, соответствующим напряжению, указанному на идентификационной пластинке, и может работать только от однофазного источника переменного тока. В соответствии с европейским стандартом данный инструмент имеет двойную изоляцию и поэтому может подключаться к розеткам без провода заземления.

Шум

Типичный уровень взвешенного звукового давления (A), измеренный в соответствии с EN61029:

Уровень звукового давления (L_{pA}): 94 дБ (A)

Уровень звуковой мощности (L_{WA}): 107 дБ (A)

Погрешность (K): 3 дБ (A)

Используйте средства защиты слуха

Только для европейских стран

Декларация о соответствии ЕС

Makita Corporation, являясь ответственным производителем, заявляет, что следующие устройство (-а) Makita:

Обозначение устройства:

Отрезной станок со столом

Модель/Тип: 2704

являются серийной продукцией и

Соответствует (-ют) следующим директивам ЕС:

2006/42/EC

И изготовлены в соответствии со следующими стандартами или нормативными документами:

EN61029

Техническая документация хранится у официального представителя в Европе:

Makita International Europe Ltd.
Michigan Drive, Tongwell,
Milton Keynes, Bucks MK15 8JD, England

21.4.2010



Tomoyasu Kato
Директор
Makita Corporation
3-11-8, Sumiyoshi-cho,
Anjo, Aichi, 446-8502, JAPAN

Общие рекомендации по технике безопасности для электроинструментов

⚠ ПРЕДУПРЕЖДЕНИЕ Ознакомьтесь со всеми инструкциями и рекомендациями по технике безопасности. Невыполнение инструкций и рекомендаций может привести к поражению электротоком, пожару и/или тяжелым травмам.

Сохраните брошюру с инструкциями и рекомендациями для дальнейшего использования.

ДОПОЛНИТЕЛЬНЫЕ ПРАВИЛА ТЕХНИКИ БЕЗОПАСНОСТИ ДЛЯ ИНСТРУМЕНТА

СОХРАНИТЕ ДАННЫЕ ИНСТРУКЦИИ.

1. Используйте защитные очки.
2. Не пользуйтесь инструментом в присутствии легко воспламеняющихся жидкостей или газов.
3. НИКОГДА не используйте инструмент с абразивно-отрезными кругами.
4. Перед эксплуатацией тщательно осмотрите диск и убедитесь в отсутствии трещин или повреждений. Немедленно замените треснувший или поврежденный диск.
5. Используйте только циркулярные пилы, рекомендованные изготовителем, которые соответствуют стандарту EN847-1. Убедитесь, что толщина расклинивающего ножа не больше ширины реза циркулярной пилы и не меньше толщины самой пилы.
6. Всегда используйте принадлежности, рекомендованные в данном руководстве. Использование несоответствующих принадлежностей, таких как, например, отрезные абразивные круги, может привести к травме.
7. Выбирайте пильный диск в соответствии с материалом, который вы будете резать.
8. Не используйте циркулярные пилы, изготовленные из быстрорежущей стали.

9. Для снижения шума при пилении дисковая пила всегда должна быть острой и чистой.
10. Используйте правильно заточенные дисковые пилы. Соблюдайте максимальную скорость вращения, указанную на дисковой пиле.
11. Перед установкой полотна очистите шпиндель, фланцы (особенно установочную поверхность) и шестигранную гайку. Ненадлежащая установка может вызвать вибрации/биения или соскальзывание диска.
12. Используйте защитный кожух диска и расклинивающий нож при выполнении любой операции, когда их можно использовать, включая все операции распиливания. Всегда устанавливайте защитный кожух в соответствии с инструкциями, приведенными в настоящем руководстве. К операциям распиливания относятся такие, при которых полотно полностью проходит через деталь, такие как продольная или поперечная распиловка. НИКОГДА не используйте инструмент с неисправным защитным кожухом, не фиксируйте защитный кожух при помощи веревки, стропы и т. д. Немедленно устраняйте любые неисправности защитного кожуха.
13. По завершении операции, для которой необходимо снять защиту, сразу же установите защиту и расклинивающий нож на место.
14. Не пилите металлические предметы, такие как гвозди и шурупы. Перед началом работы осмотрите деталь и убедитесь в отсутствии гвоздей, шурупов и других инородных предметов или удалите их.
15. Перед включением инструмента уберите со стола гаечные ключи, обрезки и т. д.
16. НИКОГДА не надевайте перчатки во время работы.
17. Держите руки в стороне от линии прохода пильного полотна.
18. НИКОГДА не стойте на линии прохода пильного полотна.
19. Перед включением выключателя убедитесь, что циркулярная пила не касается расклинивающего ножа или распиливаемой детали.
20. Перед использованием инструмента на реальной детали дайте инструменту немного поработать вхолостую. Убедитесь в отсутствии вибрации или биения, которые могут свидетельствовать о неправильной установке или дисбалансе диска.
21. Данный инструмент не следует использовать для выполнения прорезей, фальцевания или выполнения пазов.
22. Замените изношенный вкладыш стола.
23. НИКОГДА не выполняйте регулировки на работающем инструменте. Перед выполнением регулировок отключите инструмент.
24. При необходимости пользуйтесь нажимной палкой. ОБЯЗАТЕЛЬНО используйте нажимную палку при продольном распиливании узких деталей, чтобы руки и пальцы находились на расстоянии от полотна.

25. Если толкатель не используется, храните его в надежном месте.
26. Обратите особое внимание на инструкции, касающиеся снижения риска ОТДАЧИ. ОТДАЧА - это мгновенная реакция на защемление, изгиб или нарушение соосности циркулярной пилы. ОТДАЧА приводит к отбрасыванию распиливаемой детали обратно по направлению к оператору. ОТДАЧА МОЖЕТ ПРИВЕСТИ К СЕРЬЕЗНЫМ ТРАВМАМ. Во избежание ОТДАЧИ циркулярная пила всегда должна быть острой, паз разреза должен быть параллелен пиле, расклинивающий нож и ограждение пилы должны находиться на месте в исправном состоянии. Разрезаемую деталь следует отпускать только после того, как она полностью пройдет пилу. Не следует резать перекрученные или изогнутые детали или детали, не имеющие прямого края, расположенного вдоль направляющей планки.
27. Не выполняйте никакие операции "вручную". "Вручную" в данном контексте означает удержание или подачу обрабатываемой детали руками вместо направляющей планки или измерителя угла резки.
28. НИКОГДА не сгибайтесь и не наклоняйтесь над пильным полотном. НИКОГДА не тянитесь за обрабатываемой деталью до тех пор, пока пильное полотно не остановится полностью.
29. Избегайте резкой быстрой подачи. При пилении трудно распиливаемых деталей максимально медленно подавайте деталь. При подаче не сгибайтесь и не скручивайте распиливаемую деталь. Если пила застряла или защемилась в распиливаемой детали, немедленно выключите циркулярную пилу. Выключите инструмент из сети. Затем устранили застревание.
30. НИКОГДА не убирайте обрезки вблизи диска и не прикасайтесь к защитному кожуху, если пильный диск вращается.
31. ПЕРЕД началом пиления выберите все твердые выпадающие сучки из распиливаемой детали.
32. Аккуратно обращайтесь со шнуром питания. Никогда не дергайте за шнур для выключения вилки из розетки. Располагайте шнур на расстоянии от источников тепла, масла, воды и острых краев.
33. Некоторые виды пыли, возникающей при пилении, содержат химические вещества, которые могут вызвать рак, врожденные дефекты или оказать отрицательное воздействие на репродуктивные функции организма. Ниже приведены примеры некоторых таких химических веществ:
- свинец из материалов, окрашенных красками на основе свинца и,
 - мышьяк и хром из химически обработанной древесины.
- Риск вашему здоровью от воздействия данных веществ зависит от частоты выполнения такой работы. Для снижения воздействия таких химических веществ на ваш организм: работайте в хорошо проветриваемом месте с соответствующими средствами обеспечения безопасности, как, например, пылезастытными масками, которые могут задерживать микроскопические частицы.
34. При выполнении пиления подключите инструмент к устройству сбора пыли.
35. Для того чтобы облегчить выполнение настроек и чистку инструмента, защитный кожух можно поднять. Перед включением инструмента всегда устанавливайте колпак защиты так, чтобы он был опущен вниз полностью и хорошо прилегал к столу пилы.

СОХРАНИТЕ ДАННЫЕ ИНСТРУКЦИИ.

УСТАНОВКА

Установка отрезного станка со столом

- **Рис.1:** 1. Диаметр отверстия - 8 мм
- **Рис.2:** 1. 6-мм стандартная шайба 2. Шуруп № 10 длиной не менее 40 мм
- **Рис.3:** 1. 6-мм стандартная шайба 2. Хорошо затянутые 6-мм установочный болт и гайка

Установите настольный отрезной станок на хорошо освещенную и ровную поверхность, обеспечивающую его устойчивое положение. Установите станок так, чтобы вокруг него было достаточно места для комфортной обработки деталей соответствующего размера. Закрепите станок со столом на верстаке или станине четырьмя винтами или болтами через отверстия в нижней части станка. При креплении станка на верстаке сделайте на верхней части верстака отверстие того же размера, что и отверстие на нижней части станка, предназначенное для сброса опилок.

Если во время работы отрезного станка появляются признаки его опрокидывания, соскальзывания или перемещения, закрепите верстак или станину к полу.

Хранение принадлежностей

- **Рис.4:** 1. Измеритель угла резки
- **Рис.5:** 1. Направляющая планка 2. Нажимная ручка

Храните измеритель угла резки, диск и гаечные ключи слева от основания, а направляющую планку - справа от основания.

ОПИСАНИЕ ФУНКЦИОНИРОВАНИЯ

⚠ ВНИМАНИЕ:

- Перед проведением регулировки или проверки работы инструмента всегда проверяйте, что инструмент выключен, а шнур питания вынут из розетки.

Регулировка глубины реза

► Рис.6: 1. Ручка

Регулировка глубины реза выполняется поворотом ручки. Поверните ручку по часовой стрелке, чтобы поднять диск, или против часовой стрелки, чтобы опустить его.

ПРИМЕЧАНИЕ:

- При резке тонких материалов настройте небольшую глубину, чтобы получить более чистый разрез.

Регулировка угла скоса

► Рис.7: 1. Рычаг блокировки 2. Стрелочный указатель 3. Маховик

Ослабьте рычаг фиксации, повернув его против часовой стрелки, и поворачивайте маховик до установки необходимого угла ($0^\circ - 45^\circ$). Угол скоса кромки будет показан стрелочным указателем. После установки необходимого угла поверните рычаг фиксации по часовой стрелке, чтобы заблокировать настройки.

⚠ ВНИМАНИЕ:

- После настройки угла скоса кромки хорошо затяните рычаг фиксации.

Регулировка упоров-ограничителей

► Рис.8: 1. Регулировочный винт 90° 2. Регулировочный винт 45°

► Рис.9

Данный инструмент имеет упоры-ограничители на 90° и 45° относительно поверхности стола. Для проверки и регулировки упоров-ограничителей выполните следующие операции:
Перемести маховик до упора, повернув его. Установите угольник на стол и убедитесь в том, что угол наклона диска относительно поверхности стола составляет 90° или 45° . Если диск расположен под углом, показанным на Рис. А, поверните регулировочные винты по часовой стрелке; если диск расположен под углом, показанным на Рис. В, поверните регулировочные винты против часовой стрелки, чтобы отрегулировать упоры-ограничители.
После регулировки упоров-ограничителей установите диск под углом 90° относительно поверхности стола. Затем отрегулируйте положение стрелочного указателя так, чтобы его правый край совместился с делением 0° .

► Рис.10: 1. Стрелочный указатель

Действие выключателя

Рычажный выключатель

► Рис.11: 1. Переключатель

⚠ ВНИМАНИЕ:

- Перед вставкой штекера инструмента в розетку, всегда проверяйте, что инструмент отключен.

Для включения инструмента поднимите рычажный выключатель. Для выключения инструмента опустите рычажный выключатель. Навесную пластину рычажного выключателя можно зафиксировать при помощи висячего замка через засов с левой стороны.

► Рис.12: 1. Висячий замок

Кнопочный выключатель

► Рис.13: 1. Переключатель

⚠ ВНИМАНИЕ:

- Перед работой убедитесь, что инструмент включается и выключается.

Для включения инструмента нажмите кнопку ВКЛ. (I)
Для выключения инструмента нажмите кнопку ВЫКЛ. (O)

Вспомогательный стол (R)

► Рис.14: 1. Рычаг

► Рис.15: 1. Вспомогательный стол (R)

Инструмент оборудован вспомогательным столом (R), расположенным по правую сторону от основного стола. Для того чтобы использовать вспомогательный стол (R), поднимите оба рычага, расположенные на передней части, полностью выдвиньте стол (R), а затем опустите рычаги, чтобы зафиксировать его. При использовании вспомогательного стола (R) установите на нем шкальную пластину, предварительно выкрутив из нее винт при помощи отвертки так, чтобы она располагалась на одном уровне со шкальной пластиной на основном столе.

► Рис.16: 1. Пластина со шкалой 2. Винт

Вспомогательный стол (задний) (дополнительное приспособление, только для стран Европы)

► Рис.17: 1. Вспомогательный стол (задний) 2. Винт

Для использования вспомогательного стола (заднего) ослабьте винты с левой и правой сторон под столом и выдвиньте его до нужной длины. После достижения нужной длины надежно затяните винты.

ПРИМЕЧАНИЕ:

- При одновременном использовании вспомогательного стола (заднего) и направляющей планки выдвиньте стол на 50 мм больше, чтобы он не ударялся о верхнюю часть направляющей планки.

Вспомогательный стол (L) (поставляется отдельно)

► Рис.18: 1. Винт 2. Вспомогательный стол (L)

Вспомогательный стол (L) (поставляется отдельно) можно установить на левой стороне основного стола, что обеспечит дополнительное место.

МОНТАЖ

▲ВНИМАНИЕ:

- Перед проведением каких-либо работ с инструментом всегда проверяйте, что инструмент выключен, а шнур питания вынут из розетки.

Инструмент поставляется с завода без установленных на нем дисковой пилы и защитного кожуха. Выполняйте их установку в следующем порядке:

Установка или снятие пильного диска

▲ВНИМАНИЕ:

- Перед установкой или снятием диска, всегда проверяйте, что инструмент выключен, а шнур вынут из розетки электропитания.
- Для снятия или установки диска пользуйтесь только специальным торцовым ключом Makita. Несоблюдение данного требования может привести к перетяжке или недостаточной затяжке шестигранного болта. Это может привести к травме.
- Используйте следующие дисковые пилы. Не используйте дисковые пилы, которые не соответствуют указанным здесь характеристикам.

Для модели	Макс. диаметр	Мин. диаметр	Толщина диска	Пропил
2704	260 мм	230 мм	1,8 мм или менее	2 мм или более

▲ВНИМАНИЕ:

- Проверьте диаметр отверстия под шпindel. Всегда используйте только то кольцо для отверстия под шпindel, которое соответствует используемому вами диску.

► Рис.19: 1. Коленчатый гаечный ключ 2. Шестигранная гайка 3. Гаечный ключ

Извлеките вкладыш из стола. Удерживайте внешний фланец при помощи колеччатого гаечного ключа и ослабьте шестигранную гайку, повернув ее против часовой стрелки при помощи гаечного ключа. Затем снимите внешний фланец.

Установите внутренний фланец, кольцо режущий диск, внешний фланец и шестигранную гайку на шпindel так, чтобы в передней части стола зубцы диска были направлены вниз. Всегда устанавливайте шестигранную гайку утопленной частью к внешнему фланцу.

► Рис.20: 1. Внутренний фланец 2. Кольцо 3. Пильный диск 4. Наружный фланец 5. Шестигранная гайка

Для всех стран, за исключением европейских стран

▲ВНИМАНИЕ:

- Серебряное кольцо наружным диаметром в 25,4 мм устанавливается на шпindel на предприятии-изготовителе. Черное кольцо наружным диаметром в 25 мм включено в комплект поставки в качестве стандартного оборудования. Перед установкой диска на шпindel, всегда удостоверьтесь в том, что на шпindel установлено кольцо с надлежащим отверстием для вала.

Для европейских стран

▲ВНИМАНИЕ:

- Между внутренним и внешним фланцами на предприятии-изготовителе устанавливается кольцо с внешним диаметром в 30 мм.
- Содержите поверхность фланца в чистоте от грязи и налиплих частиц, т. к. они могут привести к проскальзыванию диска. Убедитесь в том, что диск установлен так, что зубцы совпадают с направлением резки.

Для того чтобы установить диск, удерживайте внешний фланец при помощи колеччатого гаечного ключа, и затяните шестигранную гайку, повернув ее против часовой стрелки при помощи гаечного ключа. **ХОРОШО ЗАТЯНИТЕ ШЕСТИГРАННУЮ ГАЙКУ.**

► Рис.21: 1. Коленчатый гаечный ключ 2. Гаечный ключ

▲ВНИМАНИЕ:

- Будьте осторожны, удерживая шестигранную гайку гаечным ключом. Если захват ослабнет и ключ соскользнет с гайки, вы можете удариться рукой об острые края диска.

Установка защитного кожуха

► Рис.22: 1. Защитный кожух 2. Расклинивающий нож 3. Установочная часть (подпорка) защитного кожуха

► Рис.23: 1. Защитный кожух 2. Расклинивающий нож

▲ВНИМАНИЕ:

- Перед установкой защитного кожуха отрегулируйте глубину резки так, чтобы она выполнялась при максимальном угле возвышения.

Защитные кожухи, поставляемые в неевропейские страны

Снимите центральную крышку. Вставьте расклинивающий нож в установочную часть (подпорку) защитного кожуха. При помощи поставляемого ключа затяните болты с шестигранными головками (А).

Защитные кожухи, поставляемые в европейские страны

► **Рис.24:** 1. Расклинивающий нож 2. Защитный кожух 3. Рычаг

► **Рис.25:** 1. Защитный кожух 2. Расклинивающий нож

Снимите центральную крышку. Вставьте расклинивающий нож в установочную часть (подпорку) защитного кожуха. При помощи поставляемого ключа затяните болты с шестигранными головками (А). Установите защитный кожух в паз на расклинивающем ноже. Зафиксируйте защитный кожух, повернув рычаг.

Защитные кожухи, поставляемые в неевропейские и европейские страны

Местоположение установки расклинивающего ножа отрегулировано на заводе таким образом, чтобы расклинивающий нож располагался по прямой линии. Тем не менее если данное положение нарушено, ослабьте болты с шестигранными головками (А) и отрегулируйте установочную часть (подпорку) защитного кожуха так, чтобы расклинивающий нож располагался точно под диском. Затем затяните болты с шестигранной головкой (В), чтобы зафиксировать подпорку.

► **Рис.26:** 1. Диск 2. Оба зазора должны быть идентичны. 3. Расклинивающий нож 4. Болт с шестигранной головкой (В) 5. Болт с шестигранной головкой (А)

⚠ВНИМАНИЕ:

- Рассогласование диска и расклинивающего ножа может вызвать опасное зажатие во время работы. Убедитесь в том, что они выровнены должным образом. Нарушение регулировки расклинивающего ножа может привести к серьезным травмам во время эксплуатации инструмента.
- НИКОГДА не выполняйте регулировки на работающем инструменте. Перед выполнением регулировок отключите инструмент.
- Не извлекайте расклинивающий нож.

Между расклинивающим ножом и зубцами диска должен быть зазор порядка 4-5 мм. Ослабьте шестигранные болты (А), отрегулируйте расклинивающий нож соответствующим образом и надежно затяните шестигранные болты (А). Вставьте вкладыш в стол и перед началом резки проверьте работоспособность ограждения диска.

► **Рис.27:** 1. Расклинивающий нож 2. Защитный кожух

Установка и регулировка направляющей планки

► **Рис.28:** 1. Крючок 2. Круглая ручка 3. Направляющий рельс

1) Установите крючок, расположенный на конце направляющей планки, в дальнюю направляющую стола или вспомогательного стола (R), а затем установите и подайте направляющую планку вперед так, чтобы держатель направляющей планки вошел в зацепление с ближней направляющей стола. Для бокового перемещения направляющей стола поверните ручку на держателе направляющей планки на пол-оборота.

Для фиксации направляюще планки поверните ручку на держателе полностью.

2) Для бокового перемещения направляющей планки по направляющей стола полностью поверните ручку на держателе направляющей планки, не оттягивая рычаг.

3) Для того чтобы снять ее, потяните за рычаг на ручке и, одновременно с этим, полностью поверните ручку вперед.

Для того чтобы обеспечить параллельность установки направляющей планки диску, зафиксируйте ее на расстоянии 2-3 мм от диска. Поднимите диск на максимальную высоту. Цветным карандашом нанесите метку на один из зубцов режущего диска. Измерьте расстояние (А) и (В) между направляющей планкой и режущим диском. Выполняйте оба измерения от зуба с меткой. Результаты обоих измерений должны быть идентичны. При нарушении параллельности расположения направляющей планки и диска выполните следующее:

► **Рис.29:** 1. Шкала

► **Рис.30:** 1. Болты с шестигранной головкой

1. Установите направляющую планку в положение для перемещения.
2. При помощи поставляемого шестигранного ключа ослабьте два болта с шестигранными головками на направляющей планке.
3. Отрегулируйте положение направляющей планки так, чтобы она располагалась параллельно диску.
4. Поверните ручку на направляющей планке вниз по направлению к оператору.
5. Затяните два болта с шестигранными головками на направляющей планке.

► **Рис.31**

⚠ВНИМАНИЕ:

- Обязательно отрегулируйте направляющую планку, чтобы она была параллельна относительно диска, иначе может произойти опасный отскок.

Если направляющую планку невозможно надежно закрепить, отрегулируйте ее в соответствии со следующей процедурой.

- (1) Установите направляющую планку на столе, и затем поверните ручку на пол-оборота (перемещаемое положение). Затягивайте винт (А) до тех пор, пока направляющая планка не будет неподвижно зафиксирована. Затем ослабьте затяг на 1/4 - 1/2 оборота.

► **Рис.32:** 1. Направляющая планка 2. Разомкнутое положение 3. Перемещаемое положение 4. Положение стопорения

► **Рис.33:** 1. Направляющая планка 2. Перемещаемое положение 3. Винт (В) 4. Винт (А)

- (2) Полностью затяните винт (В), а затем открутите его на 2 полных оборота.
- (3) Зафиксируйте направляющую планку, повернув ручку на держателе (положение стопорения).

- (4) Убедитесь, что направляющую планку можно установить и вернуть в исходное положение (ослабленное положение).
- (5) Убедитесь, что направляющая планка может плавно и без дрожания перемещаться, когда ручка находится на полпути своего хода.

▲ВНИМАНИЕ:

- Не затягивайте винты сильнее, чем указано в приведенных выше инструкциях. Несоблюдение этого требования может привести к повреждению крепежных деталей.

Выставьте направляющую планку на один уровень с боковой частью диска. Убедитесь в том, что указатель на держателе направляющей планки показывает на деление 0. При отклонении указатель от деления 0 ослабьте винт шкальной пластины и отрегулируйте ее.

► **Рис.34:** 1. Указатель 2. Винты

Подключение к пылесосу

Для обеспечения чистоты при работе подсоедините к инструменту пылесос или пылесборник Makita.

► **Рис.35**

ЭКСПЛУАТАЦИЯ

▲ВНИМАНИЕ:

- Всегда используйте подручные средства, такие, как нажимные палки и брусья, если существует опасность того, что руки или пальцы могут быть около диска.
- Всегда крепко прижимайте обрабатываемую деталь к столу и направляющей планке или измерителю угла резки. Не сгибайте и не перекручивайте ее при подаче. Изогнутая или перекрученная деталь может вызвать опасную отдачу.
- НИКОГДА не вытягивайте обрабатываемую деталь, если диск крутится. Если Вам необходимо вытянуть обрабатываемую деталь до завершения распила, сначала выключите инструмент, крепко удерживая обрабатываемую деталь. Перед вытягиванием обрабатываемой детали подождите, пока диск полностью остановится. Несоблюдение данного требования может привести к опасным отскокам.
- НИКОГДА не убирайте отрезанные материалы, если диск крутится.
- НИКОГДА не помещайте руки или пальцы на пути прохода режущего диска. Будьте особенно осторожны при выполнении резки под углом.
- Всегда надежно закрепляйте направляющую планку, иначе могут произойти опасные отскоки.
- Всегда пользуйтесь подручными средствами, такими как нажимные палки и брусья, при резке небольших или узких деталей.

Подручные средства

Подручными средствами являются нажимные палки, нажимные брусья или вспомогательные планки. Используйте их для выполнения безопасных, уверенных распилов, чтобы оператор не касался диском какой-либо части тела.

Нажимной брусок

- **Рис.36:** 1. Фаска/край параллельны 2. Ручка 3. Шуруп 4. Склеить вместе

Используйте 19-мм кусок клееной фанеры. Ручка должна располагаться по центру куска фанеры. Скрепите при помощи клея и шурупов, как показано на рисунке. Всегда приклеивайте небольшие деревянные брусочки размером 9,5 мм x 8 мм x 50 мм на фанеру, чтобы не допустить затупления диска при его случайном попадании на нажимной брус. (Не вбивайте гвозди в нажимной брус.)

Вспомогательная планка

- **Рис.37:** 1. Фаска/край параллельны

Изготовьте вспомогательную планку из фанерных деталей размером в 9,5 и 19 мм.

Деревянная облицовка (направляющей планки)

- **Рис.38:** 1. Шурупы № 10 (с длиной, достаточной для вкручивания наполовину толщины облицовки)

При выполнении таких операций, когда диск проходит рядом с направляющей планкой, всегда используйте деревянную облицовку. Деревянная облицовка направляющей планки должна иметь размер, равный размеру планки. Убедитесь в том, что нижняя часть облицовки находится на одном уровне с поверхностью стола.

Продольная распиловка

▲ВНИМАНИЕ:

- При продольной распиловке снимайте со стола измеритель угла резки.
- При распиловке длинных или больших обрабатываемых деталей, всегда обеспечивайте надлежащую поддержку за пределами стола. НЕ позволяйте длинной доске двигаться или смещаться на столе. Это приведет к защемлению диска и повышению вероятности отскока и личной травмы. Опора должна находиться на той же высоте, что и стол.

1. Отрегулируйте глубину распила так, чтобы она была немного меньше, чем толщина детали.

► **Рис.39**

2. Установите направляющую планку на необходимую ширину разреза и зафиксируйте ее на месте, повернув ручку. Перед резкой убедитесь в том, что задняя часть направляющей планки надежно закреплена. Если это не так, выполните операции, описанные в разделе "Установка и регулировка направляющей планки".

3. Включите инструмент, и осторожно подайте обрабатываемую деталь к диску вдоль направляющей планки.

- (1) Если ширина разреза составляет 150 мм и более, будьте осторожны при подаче детали правой рукой.левой рукой удерживайте деталь прижатой к направляющей планке.

► **Рис.40**

- (2) Если ширина продольного распила равна 65 - 150 мм, используйте нажимную планку для подачи обрабатываемой детали.

► **Рис.41:** 1. Нажимная ручка

- (3) Если ширина резки меньше 65 мм, пользоваться нажимной палкой нельзя, т. к. она будет ударяться об ограждение диска. Используйте дополнительную планку и нажимной брус. Установите дополнительную планку на направляющую планку при помощи двух зажимов "С".

► **Рис.42:** 1. Вспомогательная планка

Подавайте деталь рукой до тех пор, пока ее конец не будет располагаться на расстоянии 25 мм от переднего края стола. Для того чтобы завершить распиливание, продолжайте подавать деталь при помощи нажимного бруса, расположенного на верхней части вспомогательной планки.

► **Рис.43:** 1. Нажимной брусок 2. Вспомогательная планка

Поперечная распиловка

▲ВНИМАНИЕ:

- При осуществлении поперечной распиловки снимайте вспомогательную планку со стола.
- При распиловке длинных или больших обрабатываемых деталей, всегда обеспечивайте надлежащую поддержку с боковых сторон стола. Опора должна находиться на той же высоте, что и стол.
- Не помещайте руки на пути прохода режущего диска.

Измеритель угла резки

► **Рис.44:** 1. Поперечная распиловка 2. Резка под углом 3. Резка со скосом 4. Составная резка под углом (углы)

Используйте измеритель угла резки для 4 типов распиловки, показанных на рисунке.

▲ВНИМАНИЕ:

- Осторожно закрепите ручку на измерителе угла резки.
- Не допускайте сползания детали и измерителя, для чего крепко удерживайте их, особенно при резке под углом.
- ЗАПРЕЩАЕТСЯ держаться или браться за предполагаемую «отпиливаемую» часть обрабатываемой детали.
- Всегда настраивайте расстояние между торцом измерителя угла резки и режущим диском так, чтобы оно не превышало 15 мм.

Упор-ограничитель измерителя угла резки

► **Рис.45:** 1. Круглая ручка 2. Малая пластина 3. Винт упор-ограничителя

Измеритель угла резки имеет упоры-ограничители на 90° и 45° вправо и влево для быстрой настройки углов резки.

Для настройки угла резки ослабьте ручку измерителя угла резки.

Поднимите меньшую планку на измерителе угла резки, чтобы выполнить произвольную настройку. Установите измеритель угла резки на необходимое значение. Установите меньшую планку измерителя угла резки в исходное положение и хорошо затяните ручку, повернув ее по часовой стрелке.

Использование измерителя угла резки

► **Рис.46:** 1. Паз 2. Измеритель угла резки 3. Круглая ручка

Задвиньте измеритель угла резки в толстые пазы в столе. Ослабьте ручку на измерителе и совместите с необходимым углом (от 0° до 60°). Прислоните деталь заподлицо к планке и осторожно подайте ее к диску.

Вспомогательная деревянная обшивка (измеритель угла резки)

► **Рис.47**

Для предотвращения качания длинной доски, установите на измеритель угла резки вспомогательную направляющую доску. Закрепите ее болтами/гайками, просверлив отверстия, но при этом крепежные детали не должны выступать на поверхности доски.

Переноска инструмента

► **Рис.48**

Отключите инструмент от сети питания. Переносите инструмент, удерживая его так, как показано на рисунке.

▲ВНИМАНИЕ:

- Перед тем, как переносить инструмент, всегда закрепляйте все подвижные части.
- Перед переноской инструмента всегда устанавливайте ограждение диска на место.

ТЕХОБСЛУЖИВАНИЕ

⚠ ВНИМАНИЕ:

- Перед проверкой или проведением техобслуживания убедитесь, что инструмент выключен, а штекер отсоединен от розетки.
- Запрещается использовать бензин, лигроин, растворитель, спирт и т.п. Это может привести к изменению цвета, деформации и появлению трещин.

Чистка

Периодически очищайте инструмент от стружки и щепок. Осторожно очищайте защитный кожух и движущиеся части внутри отрезного станка со столом.

Смазка

Для поддержания отрезного станка со столом в надлежащем рабочем состоянии и чтобы максимально продлить срок его службы, периодически смазывайте его движущиеся и вращающиеся части маслом или смазкой.

Точки смазки:

- Резьбовой вал для поднятия диска
- Шарнир для поворота рамы
- Валы подъемных направляющих на электродвигателе
- Редуктор для поднятия диска
- Направляющие направляющей планки
- Рычаги фиксации вала вспомогательного стола (R)
- Подвижная часть вспомогательного стола (R)

Замена угольных щеток

► **Рис.49:** 1. Ограничительная метка

Регулярно вынимайте и проверяйте угольные щетки. Заменяйте их, если они изношены до ограничительной отметки. Содержите угольные щетки в чистоте и в свободном для скольжения в держателях положении. При замене необходимо менять обе угольные щетки одновременно. Используйте только одинаковые угольные щетки.

Для снятия колпачков держателей щеток используйте отвертку. Для замены угольных щеток снимите ограждение диска и диск, затем ослабьте рычаг фиксации, наклоните режущую головку и зафиксируйте ее под углом скоса кромки в 45°. Осторожно подайте инструмент назад. Затем открутите колпачок держателя щетки. Извлеките изношенные угольные щетки, установите новые и зафиксируйте их при помощи колпачков держателей щеток.

► **Рис.50:** 1. Колпачок держателя щетки
2. Отвертка

Для обеспечения БЕЗОПАСНОСТИ и НАДЕЖНОСТИ оборудования, ремонт, любое другое техобслуживание или регулировку необходимо производить в уполномоченных сервис-центрах Makita, с использованием только сменных частей производства Makita.

ПРИНАДЛЕЖНОСТИ

⚠ ВНИМАНИЕ:

- Эти принадлежности или насадки рекомендуются использовать вместе с вашим инструментом Makita, описанным в данном руководстве. Использование каких-либо других принадлежностей или насадок может представлять опасность получения травм. Используйте принадлежность или насадку только по указанному назначению.

Если вам необходимо содействие в получении дополнительной информации по этим принадлежностям, свяжитесь со своим местным сервис-центром Makita.

Комплект станины (принадлежность)

Описание станины, поставляемой с отрезным станком со столом, приведено в инструкции по эксплуатации дополнительных приспособлений.

- Стальные и твердосплавные пыльные диски
- Вспомогательный стол (L)
- Вспомогательный стол (задний)
- Направляющая планка
- Измеритель угла резки
- Коленчатый гаечный ключ 13-22
- Ключ 19
- Шестигранный ключ 5
- Соединение (для подсоединения пылесборника)
- Вспомогательная пластина
- Комплект станины
- Подвижная направляющая

Makita Corporation

3-11-8, Sumiyoshi-cho,
Anjo, Aichi 446-8502 Japan

www.makita.com

884599D924 EN, SV, NO, FI, LV, LT, ET, RU 20170130
