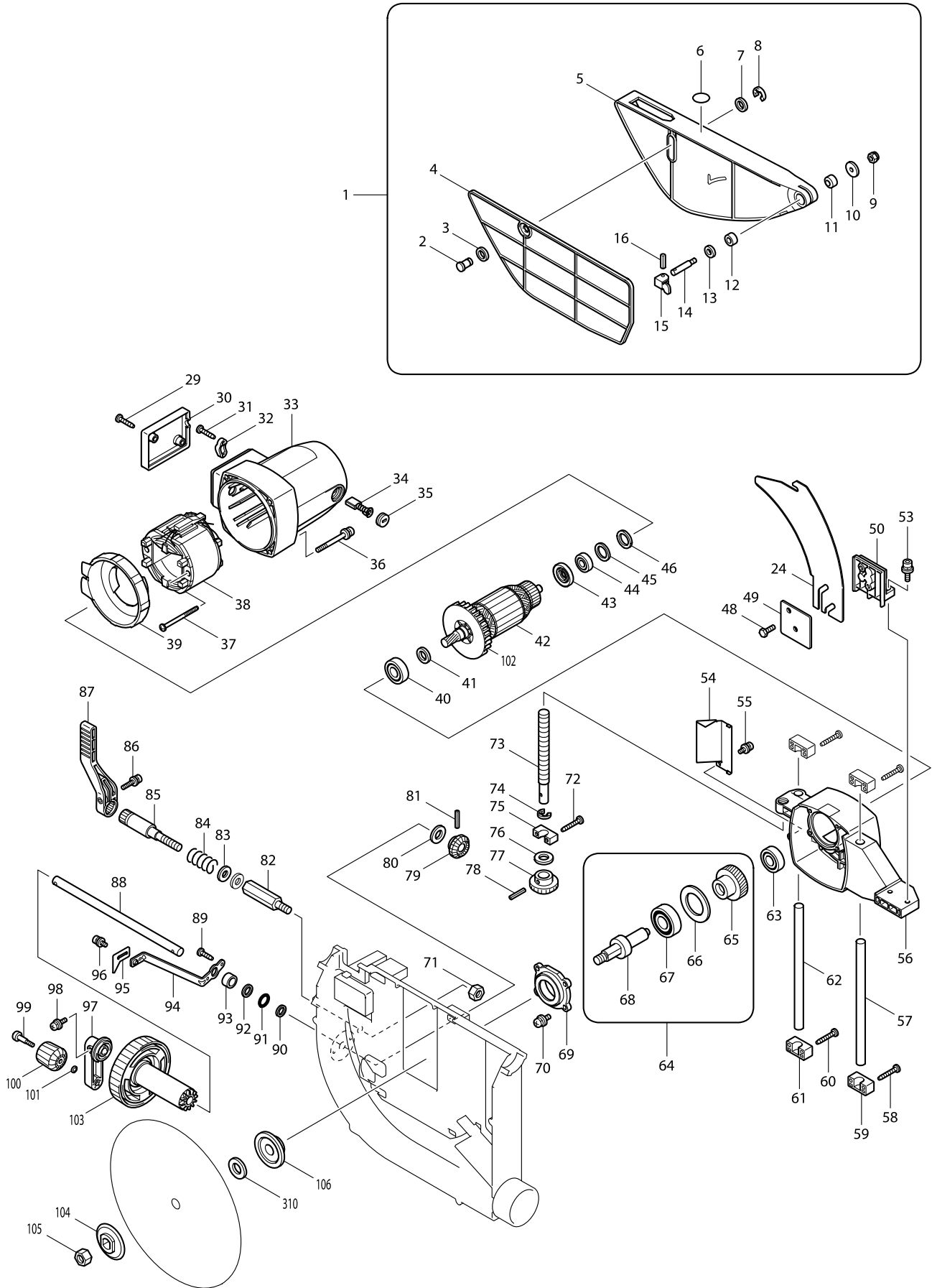
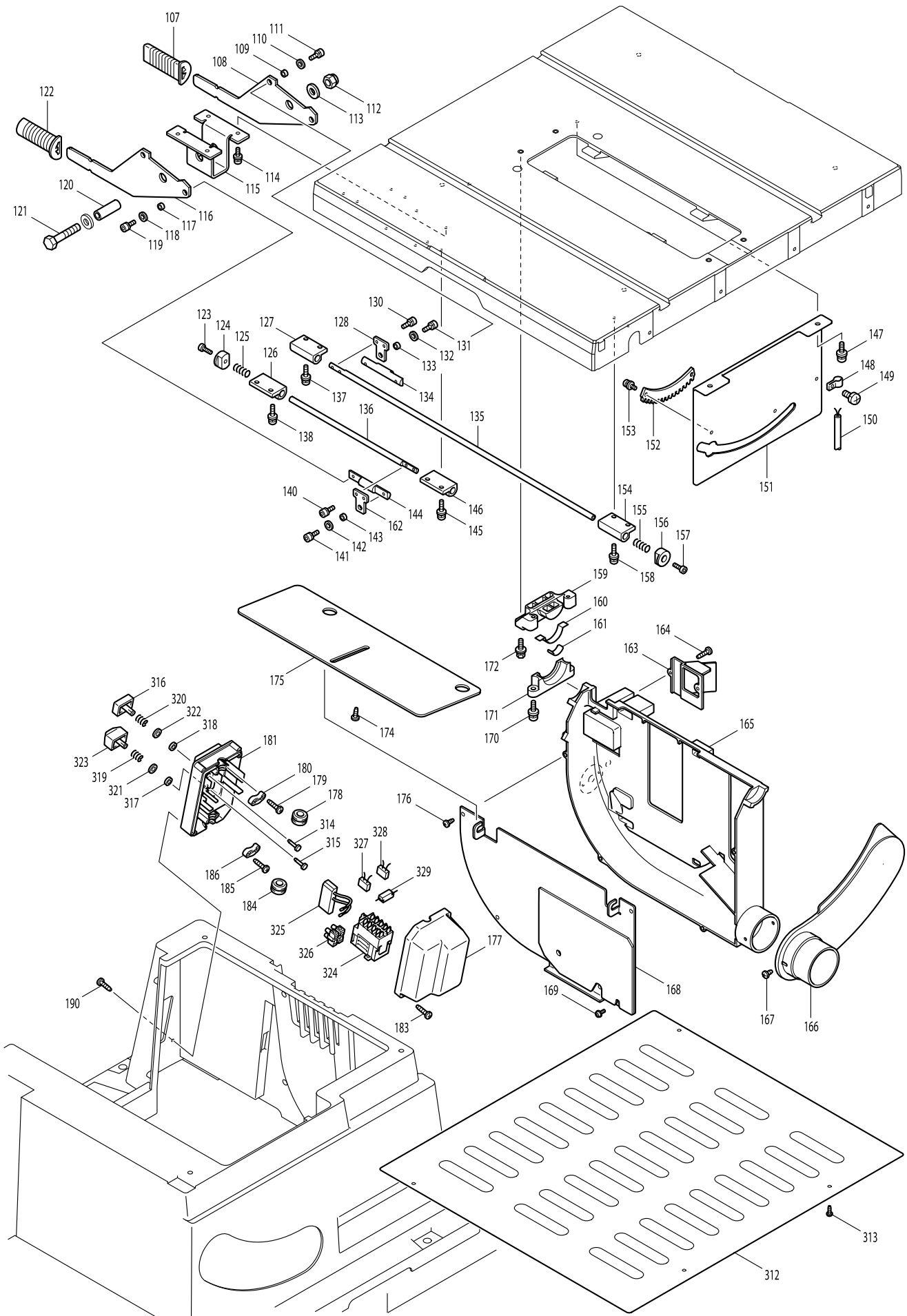


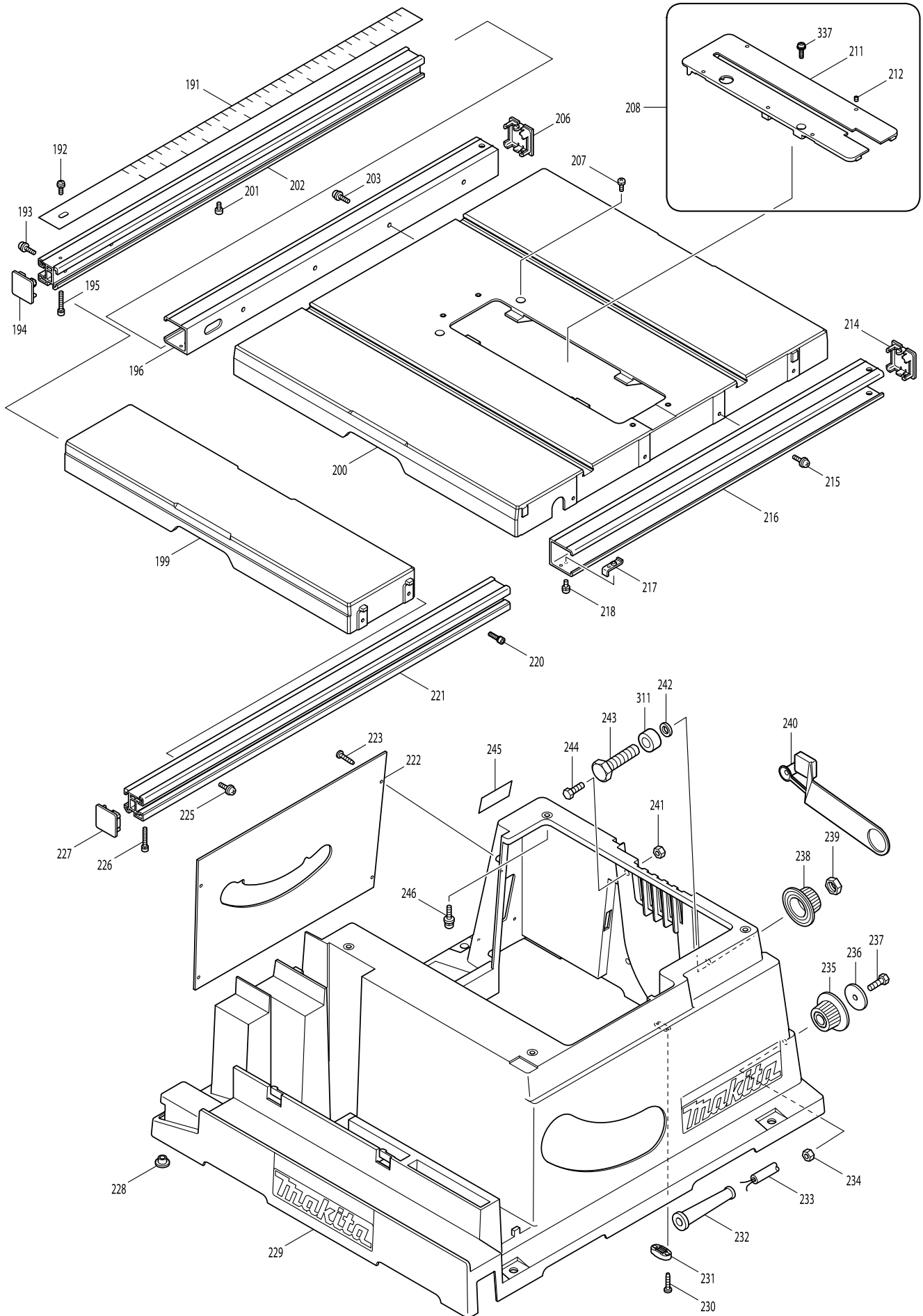
Model No. 2704 TABLE SAW 255MM



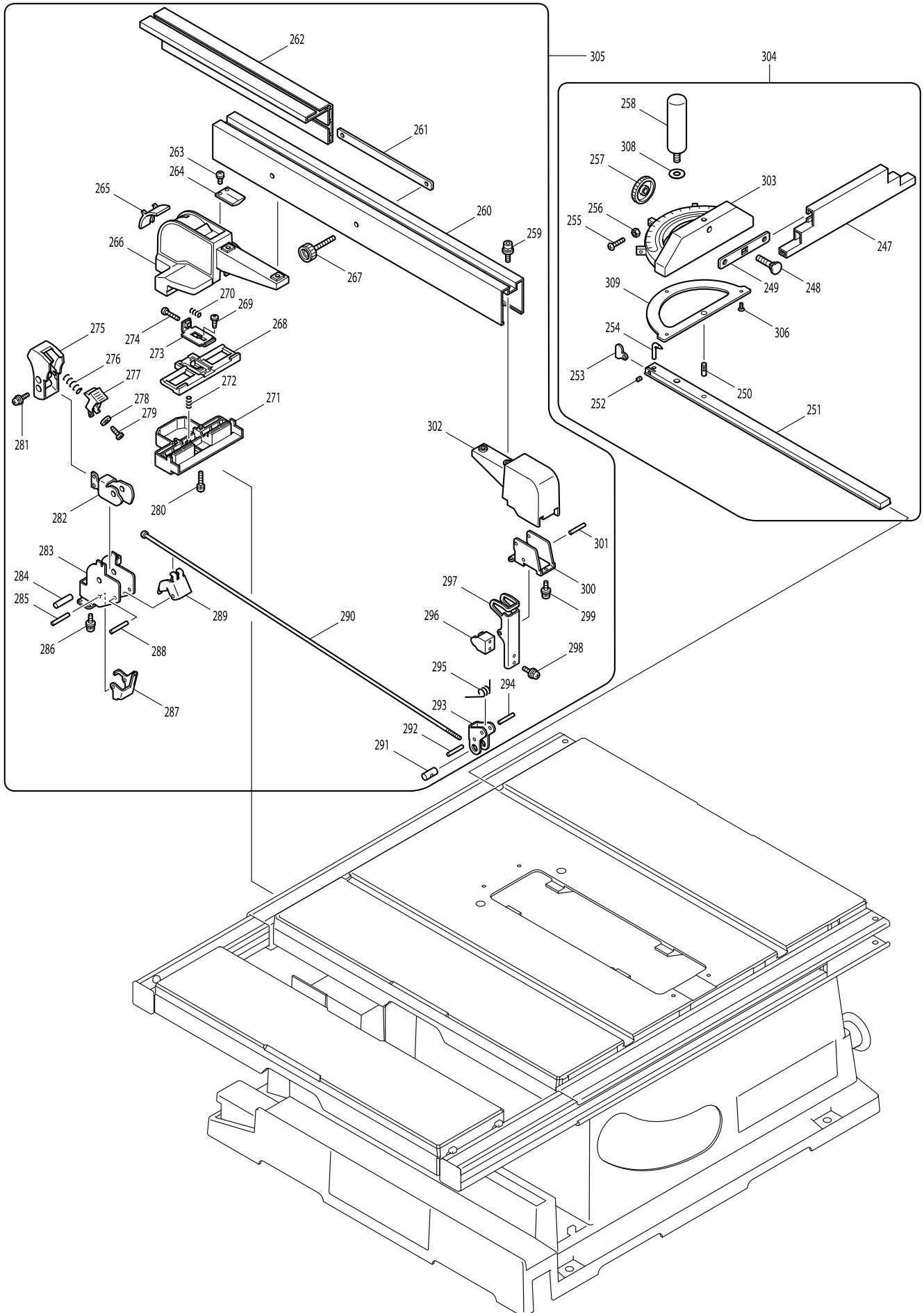
Model No. 2704 TABLE SAW 255MM



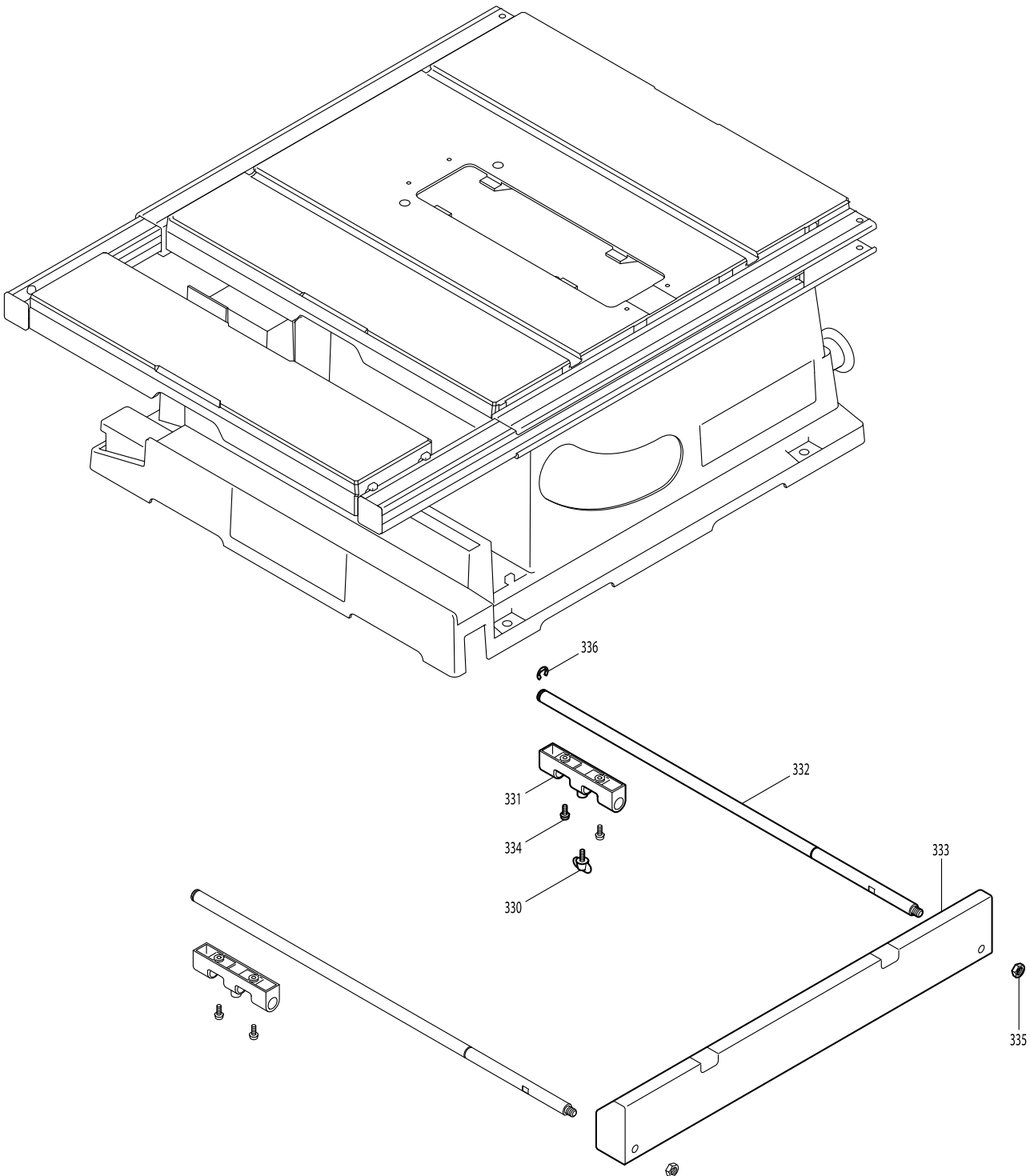
Model No. 2704 TABLE SAW 255MM



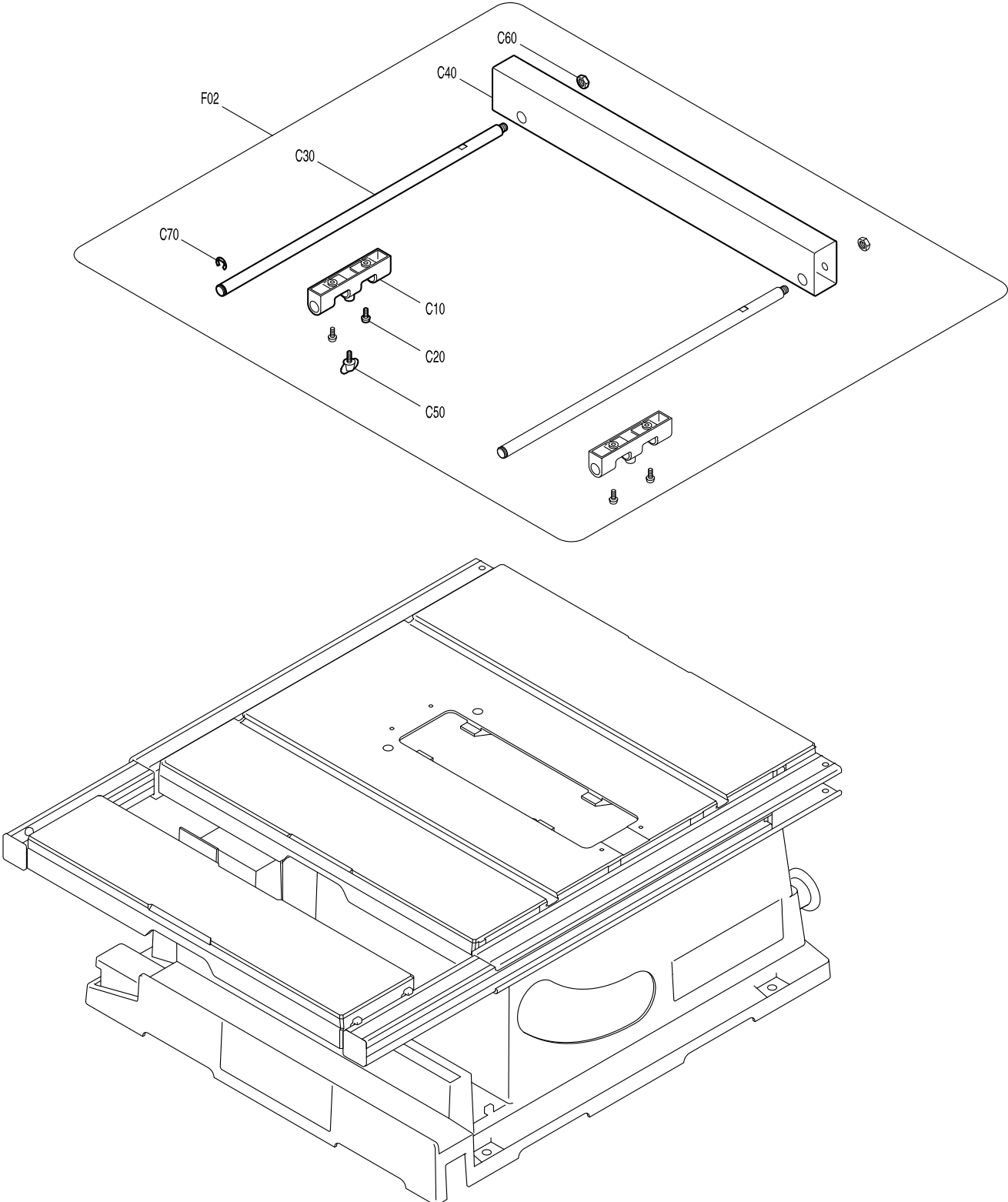
Model No. 2704 TABLE SAW 255MM



Model No. 2704 TABLE SAW 255MM



Model No. 2704 TABLE SAW 255MM



Item	Parts No.	Description	I/C	Qty	N/O	Opt. 1	Opt. 2	Note
001	122738-8	SAFETY GUARD ASS'Y		1				
C10	890408-4	CAUTION LABEL		1				
D10		INC. 2-16						
002	268135-5	SHOULDER PIN 10		1				
003	253758-2	FLAT WASHER 10		1				
004	418910-1	SUB COVER		1				
005	418915-1	COVER		1				
006	817283-3	CAUTION LABEL		1				
007	253758-2	FLAT WASHER 10		1				
008	961015-1	STOP RING E-9		1				
009	252014-7	HEX. LOCK NUT M6-10		1				
010	253010-8	FLAT WASHER 6		1				
011	257752-6	SLEEVE 8		1				
012	257752-6	SLEEVE 8		1				
013	253731-2	FLAT WASHER 8		1				
014	324554-6	LOCK SHAFT		1				
015	345583-6	LOCK LEVER		1				
016	951104-0	SPRING PIN 4-12		1				
024	345530-7	RIVING KNIFE		1				
029	265995-6	TAPPING SCREW 4X18		2				
030	416341-8	COVER		1				
031	265995-6	TAPPING SCREW 4X18		2				
032	687054-0	STRAIN RELIEF		1				
033	154602-5	MOTOR HOUSING COMPLETE		1				
C10	643660-1	BRUSH HOLDER 6.5-13.5		2	*			
C11	643653-8	BRUSH HOLDER 6.5-13.5	O	2				
034	181044-0	CARBON BRUSH CB-153		1				
035	643650-4	BRUSH HOLDER CAP 6.5-13.5		2	*			
035-1	643650-4	BRUSH HOLDER CAP 6.5-13.5	O	2				
036	911383-2	PAN HEAD SCREW M6X60		4				
037	266029-8	TAPPING SCREW 5X65		2				
038	599511-5	FIELD ASS'Y 220-240V		1	*			
C10	654020-2	RING TERMINAL		2	*			
C20	654553-7	CONNECTOR 34137		2	*			
038-1	599546-6	FIELD ASS'Y 220-240V	S	1				
C10	654020-2	RING TERMINAL		2				
C20	654553-7	CONNECTOR 34137		2				
039	416331-1	BAFFLE PLATE		1				
040	211228-7	BALL BEARING 6202DDW		1				
041	253147-1	FLAT WASHER 15		1				
042	510071-4	ARMATURE ASS'Y 220V		1	*			
D10		INC. 40,41,43,44,102			*			
042-1	518765-5	ARMATURE ASS'Y 240V	S	1				
D10		INC. 40,41,43,44,102						
043	681640-9	INSULATION WASHER		1				
044	211088-7	BALL BEARING 6000DDW		1				
045	253198-4	FLAT WASHER 18		1				
046	261129-9	URETHANE WASHER 18		1				

Item	Parts No.	Description	I/C	Qty	N/O	Opt. 1	Opt. 2	Note
048	921331-3	HEX. BOLT M6X20		2				
049	345525-0	PRESSURE PLATE		1				
050	317871-1	KNIFE HOLDER		1				
053	922334-0	HEX. SOCKET HEAD BOLT M6X20		2				
054	344536-2	GEAR HOUSING PLATE		1				
055	911213-7	PAN HEAD SCREW M5X12		1				
056	154603-3	GEAR HOUSING COMPLETE		1				
C10	263005-3	RUBBER PIN 6		1				
057	323736-7	GUIDE BAR		1				
058	266040-0	TAPPING SCREW CT 4X25		4				
059	416340-0	GUIDE BAR RETAINER		2				
060	266040-0	TAPPING SCREW CT 4X25		4				
061	416340-0	GUIDE BAR RETAINER		2				
062	323736-7	GUIDE BAR		1				
063	211051-0	BALL BEARING 609LLB		1				
064	154595-6	SPINDLE COMPLETE		1				
D10		INC. 65-68						
065	226602-6	HELICAL GEAR 42		1				
066	267170-0	FLAT WASHER 34		1				
067	211278-2	BALL BEARING 6203DDW		1				
068	324556-2	SPINDLE		1				
069	316933-2	BEARING BOX		1				
070	911233-1	PAN HEAD SCREW M5X20		4				
071	931502-4	HEX. NUT M10		1				
072	266040-0	TAPPING SCREW CT 4X25		2				
073	322968-3	SCREW BAR		1				
074	961016-9	STOP RING E-10		1				
075	416339-5	SCREW BAR RETAINER		1				
076	941302-4	FLAT WASHER 12		1				
077	226747-0	STRAIGHT BEVEL GEAR		1				
078	951116-3	SPRING PIN 4-20		1				
079	226747-0	STRAIGHT BEVEL GEAR		1				
080	941302-4	FLAT WASHER 12		1				
081	951116-3	SPRING PIN 4-20		1				
082	324562-7	LOCK LEVER CONNECTOR		1				
083	253024-7	FLAT WASHER 10		2				
084	231315-6	COMPRESSION SPRING 14		1				
085	322967-5	LOCK LEVER SHAFT		1				
086	922232-8	HEX. SOCKET HEAD BOLT M5X20		1				
087	272248-6	LEVER 120		1				
088	324563-5	HANDLE SHAFT		1				
089	266034-5	TAPPING SCREW CT 4X16		2				
090	253143-9	FLAT WASHER 12		1				
091	213107-5	O RING 12		1				
092	253052-2	FLAT WASHER 12		1				
093	214114-1	PLANE BEARING 12		1				
094	345520-0	STAY		1				
095	344543-5	POINTER		1				

Item	Parts No.	Description	I/C	Qty	N/O	Opt. 1	Opt. 2	Note
096	922103-9	HEX. SOCKET HEAD BOLT M4X6		1				
097	271074-0	ARM 60		1				
098	911223-4	PAN HEAD SCREW M5X16		1				
099	251382-5	+ PAN HEAD SCREW M5		1				
100	271423-1	KNOB 32		1				
101	267010-2	FLAT WASHER 5		1				
102	240003-4	FAN 80		1				
103	271073-2	HANDLE 100		1				
104	224347-0	OUTER FLANGE 53		1	*			
104-1	224482-4	OUTER FLANGE 53	<	1				
105	252155-9	HEX. NUT M12-19		1				
106	224401-0	INNER FLANGE 53		1				
107	273523-3	GRIP		1				
108	345534-9	HANDLE PLATE		1				
109	257161-9	RING 4		1				
110	941051-3	FLAT WASHER 4		1				
111	922116-0	HEX. SOCKET HEAD BOLT M4X12		1				
112	252130-5	HEX. LOCK NUT M10-17		1				
113	941251-5	FLAT WASHER 10		2				
114	911223-4	PAN HEAD SCREW M5X16		4				
115	345539-9	HANDLE PLATE HOLDER		1				
116	345534-9	HANDLE PLATE		1				
117	257161-9	RING 4		1				
118	941051-3	FLAT WASHER 4		1				
119	922116-0	HEX. SOCKET HEAD BOLT M4X12		1				
120	257753-4	SLEEVE 10		1				
121	265536-8	HEX.BOLT M16X65		1				
122	273523-3	GRIP		1				
123	265382-9	HEX. SOCKET HEAD BOLT M5X20		1				
124	324559-6	HOOK RING		1				
125	233229-5	COMPRESSION SPRING 8		1				
126	418655-1	ROD HOLDER		1				
127	418655-1	ROD HOLDER		1				
128	345535-7	JOINT PLATE		1				
130	922116-0	HEX. SOCKET HEAD BOLT M4X12		2				
131	922116-0	HEX. SOCKET HEAD BOLT M4X12		1				
132	941051-3	FLAT WASHER 4		1				
133	257161-9	RING 4		1				
134	324560-1	ROD JOINT		1	*			
134-1	324675-4	ROD JOINT	S	1				
135	324557-0	ROD R		1	*			
135-1	324673-8	ROD R	S	1				
136	324558-8	ROD F		1	*			
136-1	324674-6	ROD F	S	1				
137	911128-8	P.H.SCREW M4X16 WITH WR		2				
138	911128-8	P.H.SCREW M4X16 WITH WR		2				
140	922116-0	HEX. SOCKET HEAD BOLT M4X12		2				
141	922116-0	HEX. SOCKET HEAD BOLT M4X12		1				

Item	Parts No.	Description	I/C	Qty	N/O	Opt. 1	Opt. 2	Note
142	941051-3	FLAT WASHER 4		1				
143	257161-9	RING 4		1				
144	324560-1	ROD JOINT		1	*			
144-1	324675-4	ROD JOINT	S	1				
145	911128-8	P.H.SCREW M4X16 WITH WR		2				
146	418655-1	ROD HOLDER		1				
147	911323-0	PAN HEAD SCREW M6X16		2				
148	687049-3	STRAIN RELIEF		1				
149	251308-7	+ PAN HEAD SCREW M4X10		1				
150	664094-5	POWER SUPPLY CORD 1.5-5-0.5		1				
151	345628-0	PLATE		1				
152	416333-7	RACK PLATE		1				
153	911213-7	PAN HEAD SCREW M5X12		2				
154	418655-1	ROD HOLDER		1				
155	233229-5	COMPRESSION SPRING 8		1				
156	324559-6	HOOK RING		1				
157	265382-9	HEX. SOCKET HEAD BOLT M5X20		1				
158	911128-8	P.H.SCREW M4X16 WITH WR		2				
159	317010-3	ADJUST BLOCK		1	*			
159-1	318020-3	ADJUST BLOCK	<	1				
160	344529-9	SLIDE SEAT		2				
161	232174-1	LEAF SPRING		2				
162	345535-7	JOINT PLATE		1				
163	416439-1	DUST GUIDE		1				
164	266034-5	TAPPING SCREW CT 4X16		2				
165	317880-0	FRAME		1	*			
165-1	318253-0	FRAME	O	1				
166	418917-7	DUST JOINT		1				
167	266061-2	TAPPING SCREW BIND CT 4X8		2				
168	154599-8	FRAME COVER COMPLETE		1				
169	911114-9	PAN HEAD SCREW M4X10		1				
170	911333-7	PAN HEAD SCREW M6X20		4				
171	416332-9	FRAME RETAINER		2				
172	265460-5	HEX. BOLT M6X20		2				
174	266300-0	TAPPING SCREW 4X18		2				
175	413097-4	SLIDE COVER		1				
176	266035-3	TAPPING SCREW BIND CT 5X12		4				
177	418918-5	SWITCH BOX		1				
178	682511-3	GROMMET		1				
179	265995-6	TAPPING SCREW 4X18		2				
180	687054-0	STRAIN RELIEF		1				
181	418912-7	SWITCH BASE		1				
183	265995-6	TAPPING SCREW 4X18		2				
184	682511-3	GROMMET		1				
185	265995-6	TAPPING SCREW 4X18		2				
186	687052-4	STRAIN RELIEF		1				
190	266192-7	TAPPING SCREW 4X14		3				
191	816844-6	INNER SCALE PLATE		1				

Item	Parts No.	Description	I/C	Qty	N/O	Opt. 1	Opt. 2	Note
192	251308-7	+ PAN HEAD SCREW M4X10		1				
193	911253-5	PAN HEAD SCREW M5X30		2				
194	418908-8	INNER RAIL END		1				
195	922146-1	HEX. SOCKET HEAD BOLT M4X25		1				
196	154705-5	FRONT OUTER RAIL COMPLETE		1				
C10	816843-8	OUTER SCALE PLATE		1				
199	317877-9	SUB TABLE		1				
200	317876-1	TABLE		1	*			
200-1	317876-1	TABLE	<	1				
201	922126-7	HEX. SOCKET HEAD BOLT M4X16		1				
202	317868-0	FRONT INNER RAIL		1	*			
202-1	158104-3	FRONT INNER RAIL COMPLETE	<	1				
203	911233-1	PAN HEAD SCREW M5X20		4				
206	418907-0	OUTER RAIL END		1				
207	265045-7	+ PAN HEAD SCREW M5X18		2				
208	125279-3	CENTER COVER ASS'Y		1				
D10		INC. 211,212						
211	317875-3	CENTER COVER		1				
212	266264-8	H.S.SET SCREW(FLAT POINT)M5X6		4				
214	418907-0	OUTER RAIL END		1				
215	911233-1	PAN HEAD SCREW M5X20		4				
216	317867-2	REAR OUTER RAIL		1				
217	345529-2	RAIL STOPPER		1				
218	251308-7	+ PAN HEAD SCREW M4X10		1				
220	922126-7	HEX. SOCKET HEAD BOLT M4X16		1				
221	317869-8	REAR INNER RAIL		1	*			
221-1	158103-5	REAR INNER RAIL COMPLETE	<	1				
222	345533-1	BASE FRONT COVER		1				
223	266020-6	TAPPING SCREW 4X12		4	*			
223-1	266192-7	TAPPING SCREW 4X14	O	4				
225	911253-5	PAN HEAD SCREW M5X30		2				
226	922146-1	HEX. SOCKET HEAD BOLT M4X25		1				
227	418908-8	INNER RAIL END		1				
228	286212-1	CAP 20		4				
229	154608-3	BASE COMPLETE		1				
C10	810107-2	CAUTION LABEL		1				
C20	819176-0	MAKITA LOGO PLATE		3				
230	265995-6	TAPPING SCREW 4X18		2				
231	687052-4	STRAIN RELIEF		1				
232	682516-3	CORD GUARD 9.3-85		1				
233	665865-3	POWER SUPPLY CORD 1.0-2-2.5		1				
234	931302-2	HEX. NUT M6		2				
235	271318-8	KNOB 37		2				
236	941151-9	FLAT WASHER 6		2				
237	921342-8	HEX. BOLT M6X25		2				
238	271320-1	KNOB 37		1				
239	252197-3	HEX.NUT M14		1				
240	421926-7	HOLDER		1				

Item	Parts No.	Description	I/C	Qty	N/O	Opt. 1	Opt. 2	Note
241	931402-8	HEX. NUT M8		1				
242	253797-2	FLAT WASHER 14		1				
243	265537-6	HEX.BOLT M14X65		1				
244	921462-8	HEX. BOLT M8X40		1				
245	861373-4	2704 NAME PLATE		1				
246	911344-2	PAN HEAD SCREW M6X25		4				
247	317865-6	ANGLE RULE BLOCK		1				
248	266364-4	R.H.S.NECK BOLT M8X35 (S TYPE)		1				
249	345522-6	ANGLE RULE GUIDE		1				
250	256769-6	PIN 6		1				
251	317872-9	ANGLE RAIL		1				
252	266378-3	H.S.SET SCREW(FLAT POINT)M5X5		2				
253	345523-4	ANGLE STOPPER		1				
254	324530-0	SCALE PIN		1				
255	911138-5	PAN HEAD SCREW M4X20		3				
256	931102-0	HEX. NUT M4		3				
257	252650-9	THUMB NUT M8		1				
258	273524-1	GRIP 28		1				
259	922333-2	HEX.SOCKET HD BOLT M6X20		4				
260	317897-3	RULER		1				
261	345521-8	RULE GUIDE		1				
262	317864-8	RULER ADAPTER		1				
263	911108-4	PAN HEAD SCREW M4X8		2				
264	418945-2	LENS		1				
265	418943-6	COVER		1				
266	317895-7	RULER TOP HOLDER		1	*			
266-1	154699-4	RULE HOLDER COMPLETE	X	1				
C10	816836-5	INDICATION LABEL		1				
267	265768-7	THUMB SCREW M6X52		2				
268	418948-6	SQUARE GUIDE		1				
269	265954-0	TAPPING SCREW BIND PT3X8		1				
270	231485-1	COMPRESSION SPRING 4		1				
271	418947-8	RULE HOLDER GUIDE		1				
272	231485-1	COMPRESSION SPRING 4		1				
273	345560-8	LOCK PLATE		1	*			
273-1	345560-8	LOCK PLATE	<	1				
274	265155-0	+PAN HEAD SCREW M5X25		1				
275	418946-0	LEVER		1				
276	231297-2	COMPRESSION SPRING 9		1				
277	418944-4	LOCK LEVER		1				
278	253874-0	FLAT WASHER 4		1				
279	266020-6	TAPPING SCREW 4X12		1				
280	911133-5	PAN HEAD SCREW M4X18		4				
281	911238-1	PAN HEAD SCREW M5X22		2				
282	345566-6	HANDLE CAM		1				
283	345559-3	HANDLE CAM SUPPORT		1				
284	256029-6	PIN 8		1				
285	256200-2	PIN 5		1				

Item	Parts No.	Description	I/C	Qty	N/O	Opt. 1	Opt. 2	Note
286	911118-1	PAN HEAD SCREW M4X12		4				
287	345564-0	LOCK PLATE STAY		1				
288	256200-2	PIN 5		1				
289	345565-8	HOOK JOINT		1				
290	265154-2	+P.H.SCREW M5X655		1				
291	324555-4	NUT M5		1				
292	256262-0	PIN 5		1				
293	345562-4	RULER TOP CONNECTER		1				
294	256262-0	PIN 5		1				
295	231683-7	TORSION SPRING 8		1				
296	313123-8	RULER TOP		1				
297	345563-2	RULER TOP GUIDE		1				
298	911118-1	PAN HEAD SCREW M4X12		2				
299	911118-1	PAN HEAD SCREW M4X12		3				
300	345561-6	RULER TOP SUPPORT		1				
301	256262-0	PIN 5		1				
302	154699-4	RULE HOLDER COMPLETE		1	*			
C10	816836-5	INDICATION LABEL		1	*			
302-1	317895-7	RULER TOP HOLDER	X	1				
303	317874-5	ANGLE RULE		1				
304	122734-6	ANGLE RULE ASS'Y		1				
D10		INC. 247-258,303,306-309						
305	122739-6	RULER ASS'Y		1	*			
D10		INC. 259-302			*			
305-1	122739-6	RULER ASS'Y	<	1				
D10		INC. 259-302						
306	265160-7	+ COUNTERSUNK HEAD SCREW M4X		3				
308	267305-3	FLAT WASHER 5/16"		1				
309	419219-4	ANGLE RULE COVER		1				
310	257262-3	RING 16		1				
311	262559-7	SLEEVE 14		1				
312	345536-5	BASE UNDER COVER		1				
313	266020-6	TAPPING SCREW 4X12		4	*			
313-1	266192-7	TAPPING SCREW 4X14	O	4				
314	418618-7	PIN		1				
315	418618-7	PIN		1				
316	418616-1	SWITCH BUTTON ON		1				
317	443103-1	FELT RING 6		1				
318	443103-1	FELT RING 6		1				
319	231025-5	COMPRESSION SPRING 8		1				
320	231025-5	COMPRESSION SPRING 8		1				
321	253186-1	FLAT WASHER 7		1				
322	253186-1	FLAT WASHER 7		1				
323	418617-9	SWITCH BUTTON OFF		1				
324	652772-9	RELAY 305.232.01		1				
325	631613-2	SOFT START CIRCUIT		1				
326	654561-8	TERMINAL BLOCK		1				
327	645006-7	NOISE SUPPRESSOR		1				

Model No. 2704 TABLE SAW 255MM

Item	Parts No.	Description	I/C	Qty	N/O	Opt. 1	Opt. 2	Note
328	645105-5	NOISE SUPPRESSOR		1				
329	646049-2	CHOKER COIL		1				
330	265740-9	SCREW M5X15		1	*			
330-1	265740-9	SCREW M5X15	O	2				
331	317879-5	SLIDE ROD HOLDER		2				
332	324564-3	REAR ROD		2				
333	345537-3	REAR TABLE		1				
334	911223-4	PAN HEAD SCREW M5X16		4	*			
334-1	922221-3	HEX. SOCKET HEAD BOLT M5X16	O	4				
335	931502-4	HEX. NUT M10		2				
336	961016-9	STOP RING E-10		1	*			
336-1	961016-9	STOP RING E-10	O	2				
337	911233-1	PAN HEAD SCREW M5X20		1				
A01	194094-6	TIPPED SAW BLADE 260 SET		1	*			
A01-1	B-04999	T.C.T. SAW BLADE 260X30X24T	X	1	*			
A01-2	B-17712	T.C.T. SAW BLADE 260X30X24T	O	1				
A02	419093-0	JOINT		1				
A03	416772-1	PUSH STICK		1				
A04	781038-1	WRENCH 19		1				
A05	782024-5	WRENCH 13-22		1				
A06	783203-8	HEX. WRENCH 5		1				
E01	213023-1	O RING 4		1				