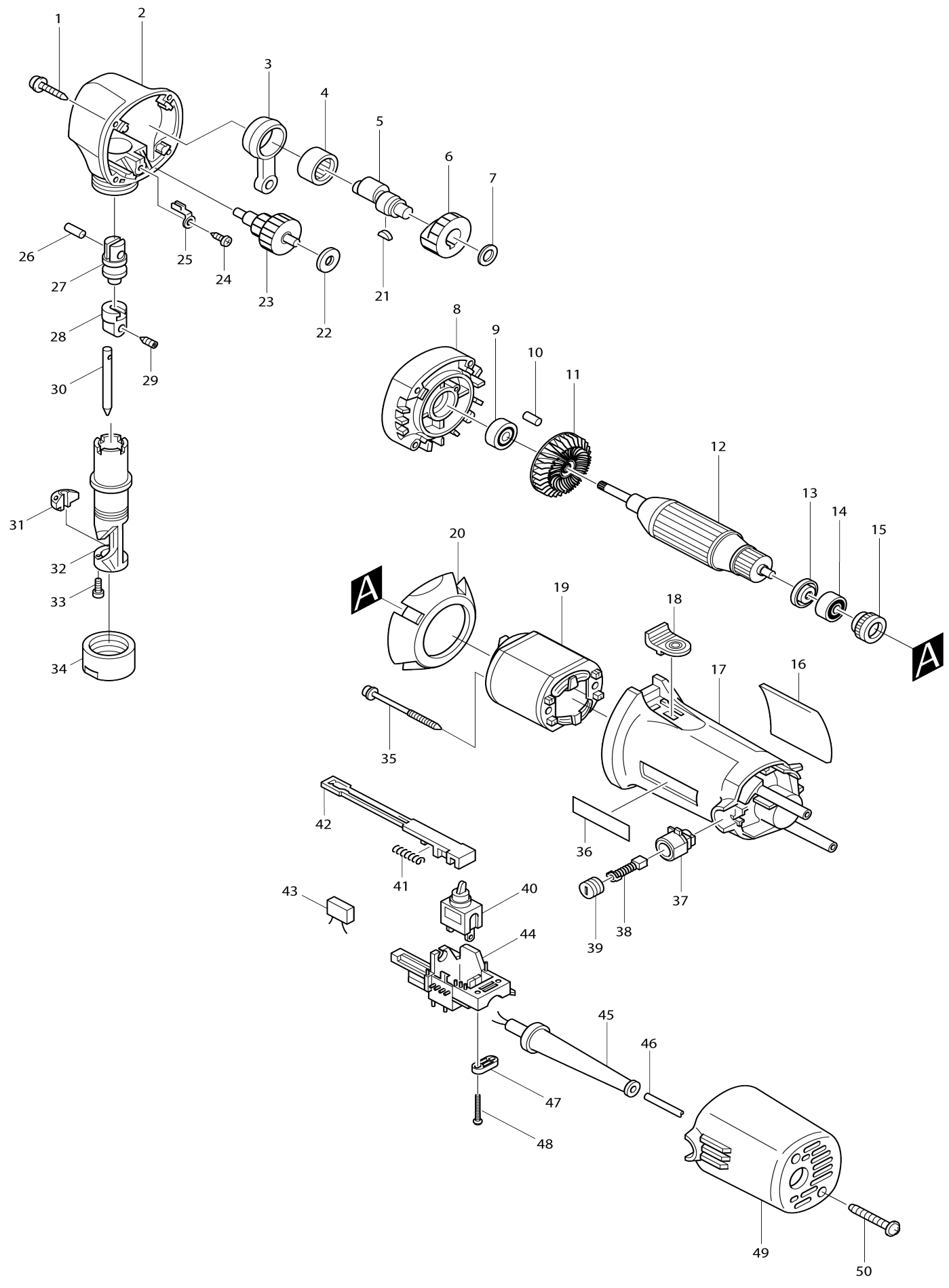


Model No. JN1601 NIBBLER



Model No.JN1601 NIBBLER

Item No.	Parts No.	Description	Interchangability	Q'ty	New/Old	Note1	Note2
001	266053-1	TAPPING SCREW 4X35		4			
002	159757-1	GEAR HOUSING COMPLETE		1	*		
C10	817658-6	CAUTION LABEL		1	*		
002-1	144734-6	GEAR HOUSING COMPLETE	S	1			
C10	817658-6	CAUTION LABEL		1			
003	331438-1	ROD		1			
004	212222-2	NEEDLE BEARING 1612		1			
005	322704-7	CRANK SHAFT		1			
006	226286-0	SPUR GEAR 34		1			
007	253215-0	FLAT WASHER 8		1			
008	159758-9	GEAR HOUSING COVER COMPLETE		1			
C10	951051-5	SPRING PIN 3-8		1			
C20	212005-0	NEEDLE BEARING 810		1			
C30	212011-5	NEEDLE BEARING 609		1			
008		INC. 10					
009	210005-4	BALL BEARING 608DDW		1			
010	263002-9	RUBBER PIN 4		1			
011	241875-0	FAN 54		1			
012C_	517513-9	ARMATURE ASS'Y 220V		1			
012C_		INC. 9,11,13,14					
013	681636-0	INSULATION WASHER		1			
014	211021-9	BALL BEARING 607LLB		1			
015	421479-6	RUBBER RING 19		1			
016	857617-8	NAME PLATE JN1601		1			
017	159755-5	MOTOR HOUSING COMPLETE		1	*		
C10	654125-8	TERMINAL		2	*		
017-1	159755-5	MOTOR HOUSING COMPLETE	<	1			
C10	654125-8	TERMINAL		2			
018	415303-3	SWITCH KNOB		1			
019C_	635013-8	FIELD 220V		1			
020	415490-8	BAFFLE PLATE		1			
021	254002-0	WOODRUFF KEY 3		1			
022	267133-6	FLAT WASHER 6		1			
023	226123-8	GEAR COMPLETE 13-37		1			
024-1	266026-4	TAPPING SCREW BIND CT 4X12		1			
025	344116-4	STOPPER		1			
026	256111-1	PIN 6		1			
027	322703-9	RAM		1			
028	322702-1	PUNCH HOLDER		1			
029	265880-3	H.S.SET SCREW(CONE POINT)M5 X8		1			
030	A-15067	PUNCH		1	*		
030-1	A-83951	PUNCH		1			
031	A-15051	DIE		1			
032	322701-3	DIE HOLDER		1			
033-1	266080-8	HEX. SOCKET HEAD BOLT M3X12		2			
034	322748-7	LOCK NUT		1			

035	266060-4	TAPPING SCREW 4X65		2		
036	819063-3	MAKITA LABEL		1	*	
037	643922-7	BRUSH HOLDER		2		
038A_	191940-4	CARBON BRUSH CB-411		1	*	
038A1	195010-1	CARBON BRUSH SET CB-411	O	1		
039	643550-8	BRUSH HOLDER CAP 5-8		2		
040	651418-4	SWITCH ST115A-40		1	*	
040-1	651418-4	SWITCH ST115A-40	O	1		
041	233071-4	COMPRESSION SPRING 4		1		
042	415541-7	SWITCH LEVER		1		
043	645253-0	NOISE SUPPRESSOR		1		
044	687069-7	SUPPORT		1		
045B_	682540-6	CORD GUARD 9.3-90		1	*	
045B1	682505-8	CORD GUARD 10-90	O	1		
046R_	665890-4	POWER SUPPLY CORD 1.0-2-4.0		1		
047A_	687063-9	CORD CLAMP		1	*	
047A1	687052-4	STRAIN RELIEF	X	1		
048	265995-6	TAPPING SCREW 4X18		2		
049	415540-9	REAR COVER		1		
050	266053-1	TAPPING SCREW 4X35		2		
051	422169-4	GASKET	S	1		
A01	781013-7	WRENCH 32		1	*	
A01-1	781028-4	WRENCH 32	O	1		
A02	783208-8	HEX. WRENCH 2.5		1		
E01	654531-7	TERMINAL BLOCK 2P		1	*	
E01-1	654741-6	TERMINAL BLOCK	O	1		
E04	654128-2	EARTH TERMINAL		1		

Please state Parts No. when your order.

Print Date 17/10/2024